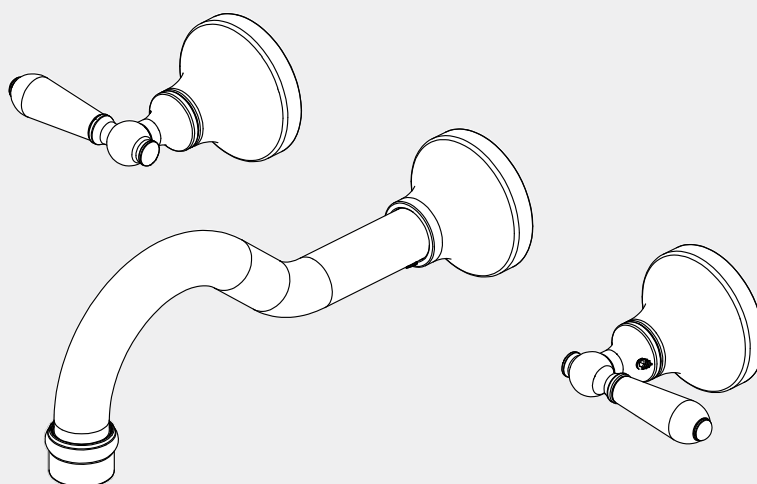


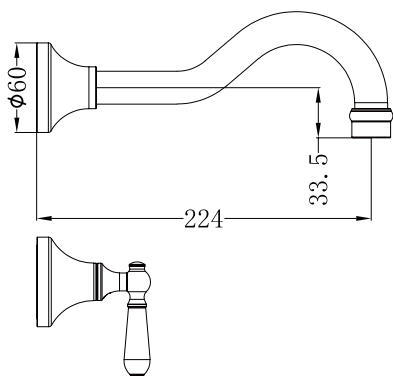
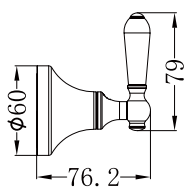
York Wall Basin Set

Nero



Versions:202405

Drawing



Specifications

Watermark License

WM-060073

Temperature Rating

Min 1°C-Max 75°C

Pressure Rating

Min 150kpa - Max 500kpa

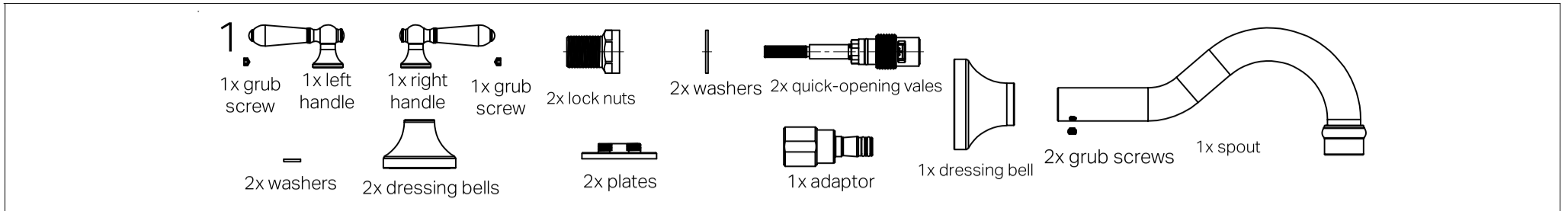
Packaging Includes

1x Spout
2x Wall Top Handles

Finish & SKU

	CHROME WITH WHITE PORCELAIN LEVER NR692107a01CH		CHROME WITH METAL LEVER NR692107a02CH
	MATTE BLACK WITH WHITE PORCELAIN LEVER NR692107a01MB		MATTE BLACK WITH METAL LEVER NR692107a02MB
	AGED BRASS WITH WHITE PORCELAIN LEVER NR692107a01AB		AGED BRASS WITH METAL LEVER NR692107a02AB
	BRUSHED NICKEL WITH WHITE PORCELAIN LEVER NR692107a01BN		BRUSHED NICKEL WITH METAL LEVER NR692107a02BN
	POLISHED NICKEL WITH WHITE PORCELAIN LEVER NR692107a01PN		POLISHED NICKEL WITH METAL LEVER NR692107a02PN
	CHROME WITH BLACK PORCELAIN LEVER NR692107a03CH		

*Dimensions are nominal measurements only.



2

standard tap seat body

ceramic tile

wall

15-25

38-48

23

Ø35

G5/8

- Install the breach (not included) in advance.

3

ceramic tile

wall

lock nut

washer

quick-opening valve

standard tap seat body

- Position the quick-opening valve to the breach body, and screw it in place tightly.
 - Slide the washer onto the valve's end, secure with the locking nut. Ensure all parts are snug.
 - Test for leaks.

4

plate

cutting gauge

ceramic tile

wall

- Screw the plate and cutting gauge onto the lock nut tightly, ensuring a secure fit.

5

cut off remaining thread

ceramic tile

wall

- Trim the excess thread flush with the cutting gauge.
 - Smooth the trimmed edge.
 - Test for leaks.

6

dressing bell

ceramic tile

wall

- Remove the cutting gauge.
 - Attach the dressing bell.
 - Place the washer inside the handle, fit it onto the tap body, and secure with the grub screw.

7

O ring

use Teflon tap

dressing bell

adaptor 19mm Max

ceramic tile

wall

grub screw

- Secure the adaptor to the water outlet with Teflon tape.
 Note: length of the water outlet is 19mm max.
 - Fit the dressing bell over the adaptor.
 - Slide the spout into the dressing bell and fasten using the grub screw.
 - Test for leaks.

8

Finished

left handle(H)

right handle(C)

Position the handles as shown in the image.

Nero

