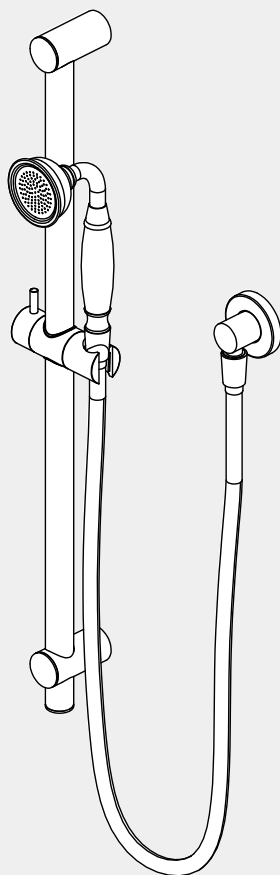


York Shower Rail

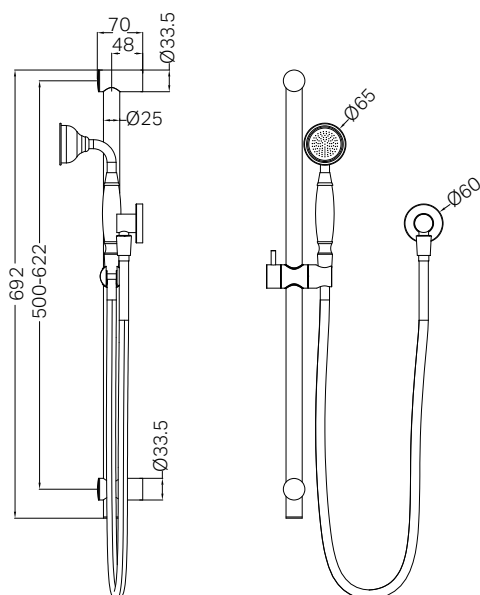
Nero



Versions:202405



Drawing



Specifications

Watermark License
WM-060093

Temperature Rating
Min 1 °C - Max 75 °C

Pressure Rating
Min 150kpa - Max 500kpa

Packaging Includes

1x Hand Shower (Built-In Check Valve)
1x Eblow
1x Shower Rail
1x 1.5m PVC Hose

Finish & SKU

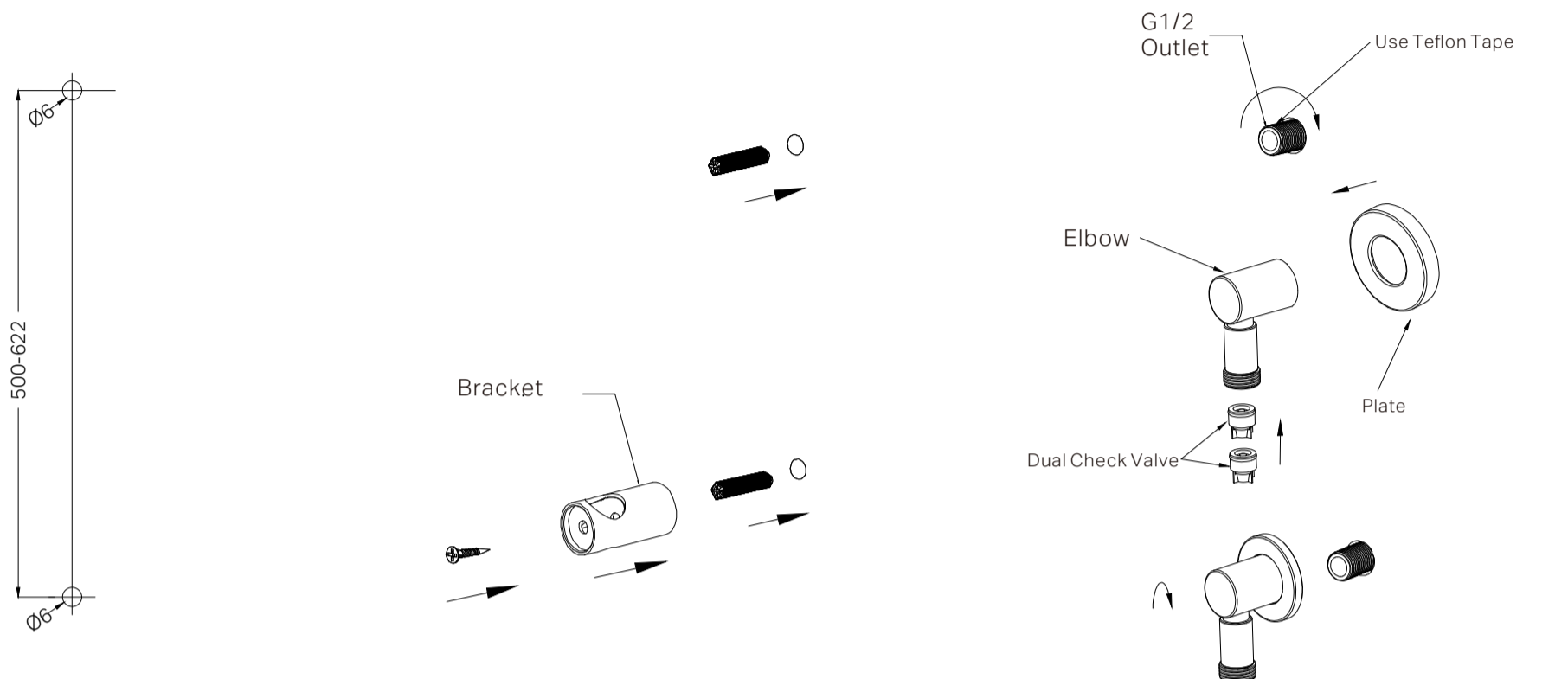
	CHROME WITH WHITE PORCELAIN HAND SHOWER NR692105a01CH		CHROME WITH METAL HAND SHOWER NR692105a02CH
	MATTE BLACK WITH WHITE PORCELAIN HAND SHOWER NR692105a01MB		MATTE BLACK WITH METAL HAND SHOWER NR692105a02MB
	AGED BRASS WITH WHITE PORCELAIN HAND SHOWER NR692105a01AB		AGED BRASS WITH METAL HAND SHOWER NR692105a02AB
	BRUSHED NICKEL WITH WHITE PORCELAIN HAND SHOWER NR692105a01BN		POLISHED NICKEL WITH WHITE PORCELAIN HAND SHOWER NR692105a02BN
	BRUSHED NICKEL WITH METAL HAND SHOWER NR692105a01PN		POLISHED NICKEL WITH METAL HAND SHOWER NR692105a02PN

*Dimensions are nominal measurements only.

Installation Instruction

GENERAL INSTRUCTIONS:

- This product must be installed by a licensed plumber. Ensure that your plumbing installation conforms to the Australian/New Zealand Standard AS/NZS 3500.
- All pipework must be thoroughly flushed prior to the installation of the shower. In-line filters must be fitted on both hot and cold supplies to prevent foreign particles from damaging the shower components.
- Ensure that all outlets used for personal hygiene deliver water at a safe temperature in accordance with regional regulations.
- Verify that the water pressure is within the recommended range for the shower to function properly.

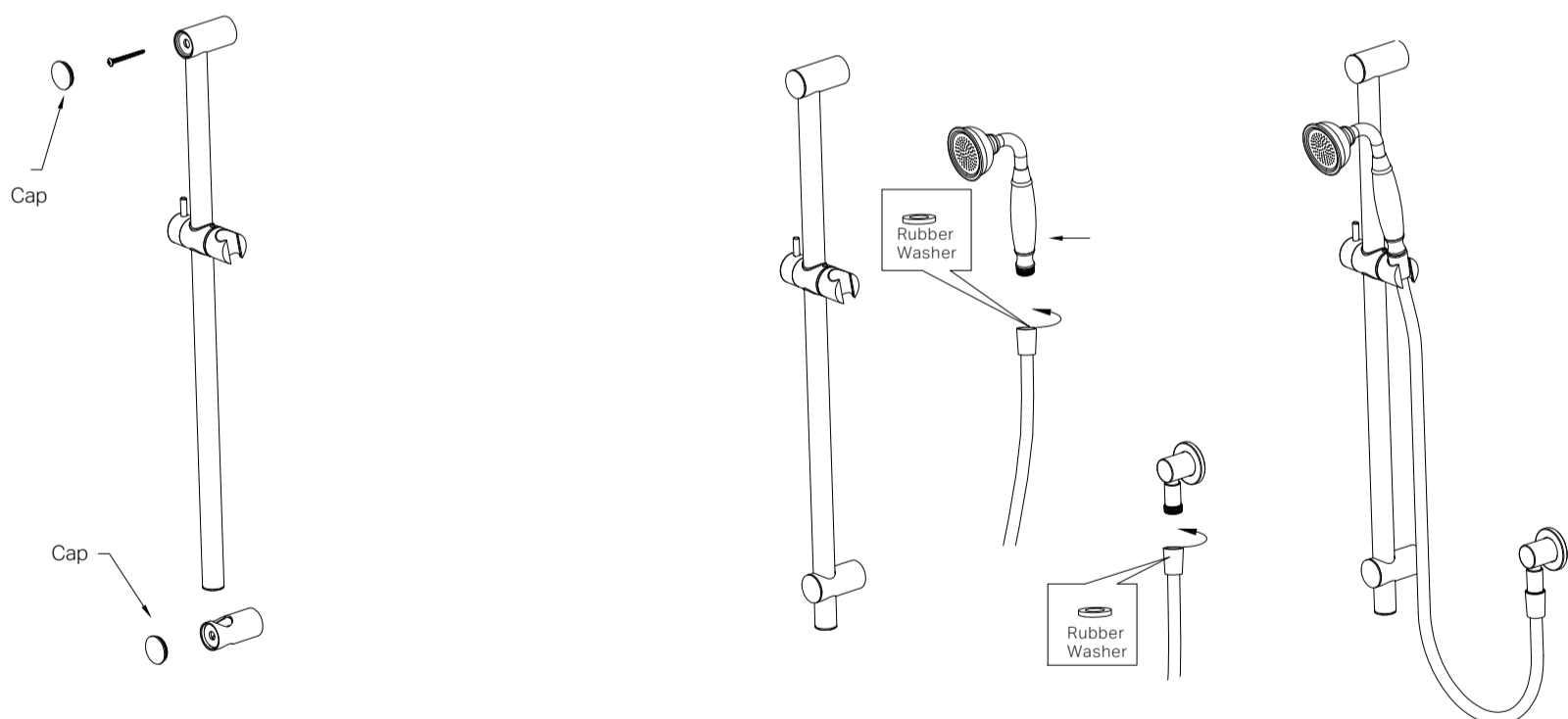


1. Drill two $\phi 6$ mm holes as shown in the picture.

2. Push wall plugs into drilled holes. Install bottom bracket by tighten the screw.

3. Wrap the G1/2 water outlet connection with Teflon tape to ensure a watertight seal. Push plate onto the outlet, and then screw the Elbow onto the outlet.

Note: there are dual check valve reinstalled in the elbow.



4. Insert the shower rail into the bottom bracket. Screw the top bracket by tighten the screw. Attach the caps onto the two brackets.

5. Connect hand shower with the hose and shower rail, ensuring rubber washers are present at both connections for leak prevention. Verify that each screw connection is securely tightened. Turn on the drainage system and water supply, and inspect all connections for any signs of leakage.

MAINTENANCE AND CARE:

- Regularly check the shower system and all connections for signs of wear or leaks.
- Clean all shower components with mild soapy water to maintain their appearance, avoiding harsh chemicals and abrasive materials that may damage the finish.
- Descale the showerhead, hand shower, and other components periodically to prevent mineral buildup, which can affect water flow and performance.
- Inspect and replace any worn-out parts, such as seals or washers, to ensure the longevity and efficiency of the shower system.
- Ensure all moving parts, such as adjustable brackets or sliding rails, are functioning smoothly and are properly lubricated if necessary.

FINAL INSPECTION:

- Ensure the shower operates smoothly and that there are no leaks at the connections.
- Verify that the water temperature and flow are consistent and as desired.
- Clean the area and the newly installed shower with a soft cloth to remove any installation residues.

Nero

