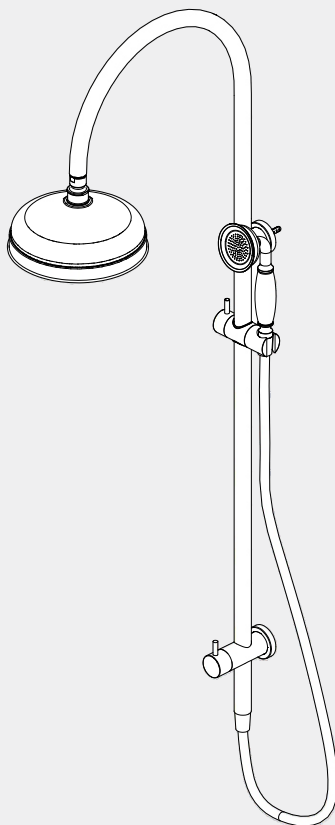


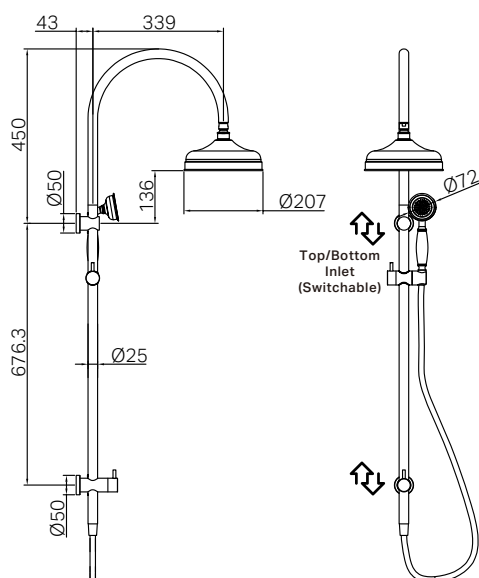
York Twin Shower

Nero



Versions:202405

Drawing



Specifications

Watermark License

WM-060093

Temperature Rating

Min 1°C - Max 75°C

Pressure Rating

Min 150kpa - Max 500kpa

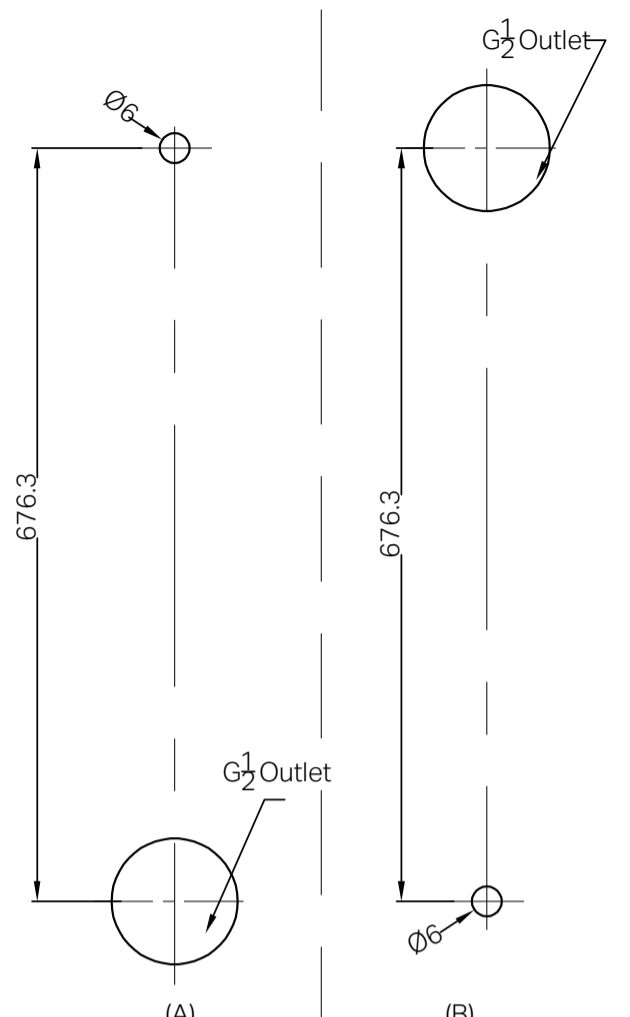

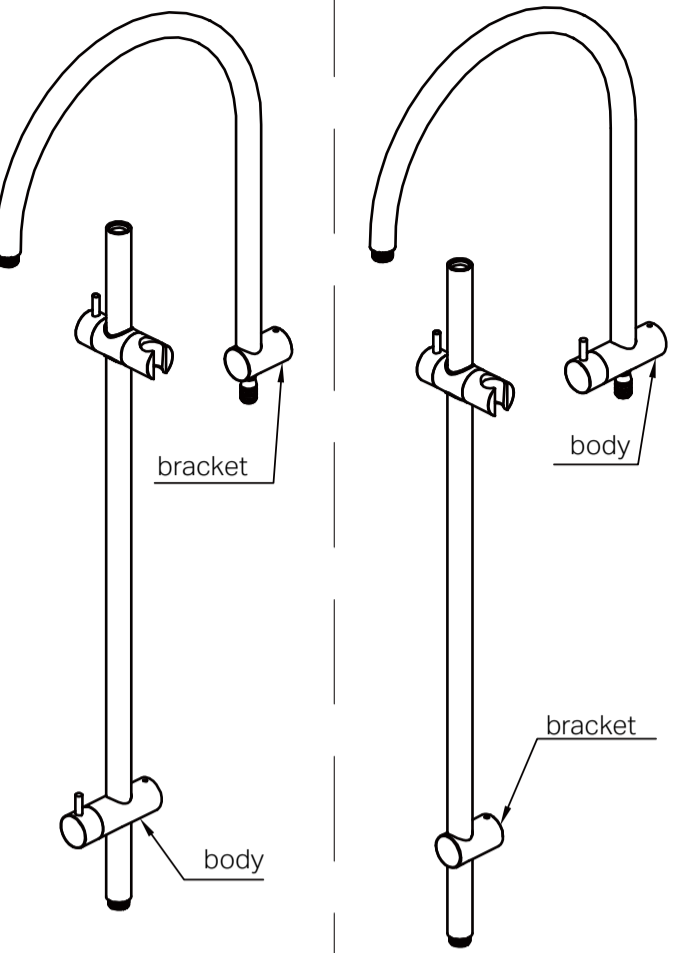
Packaging Includes

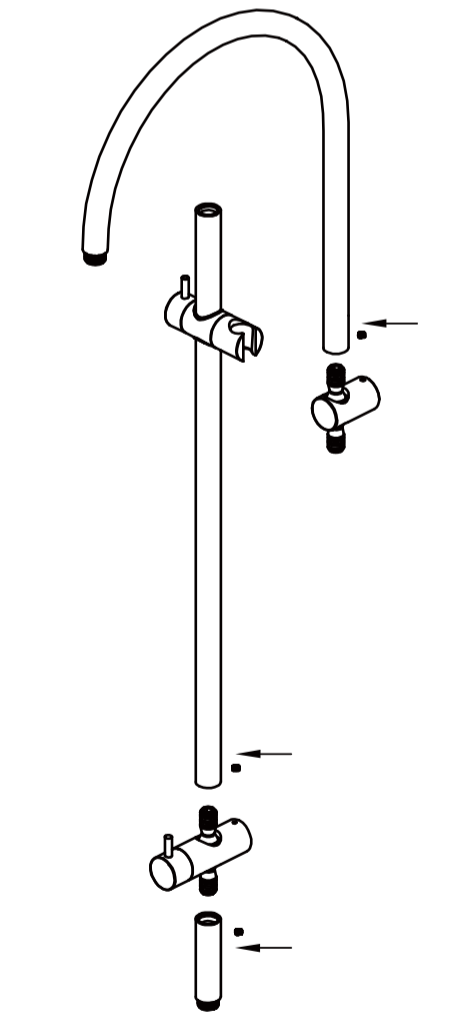
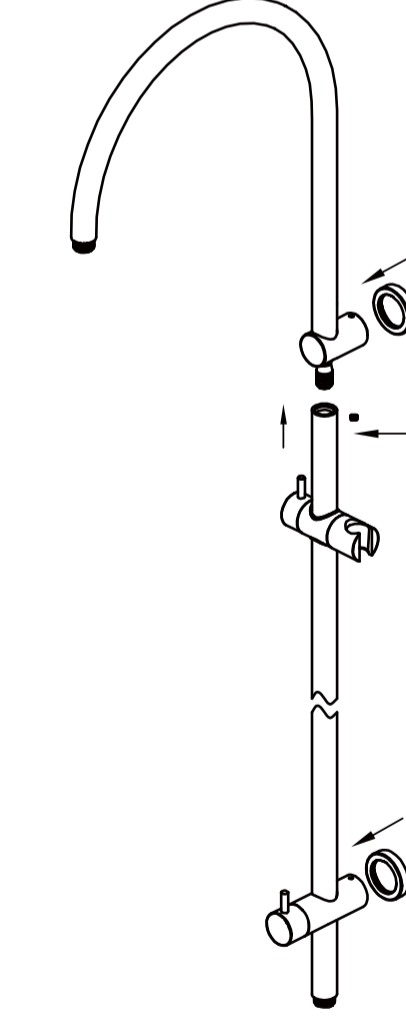
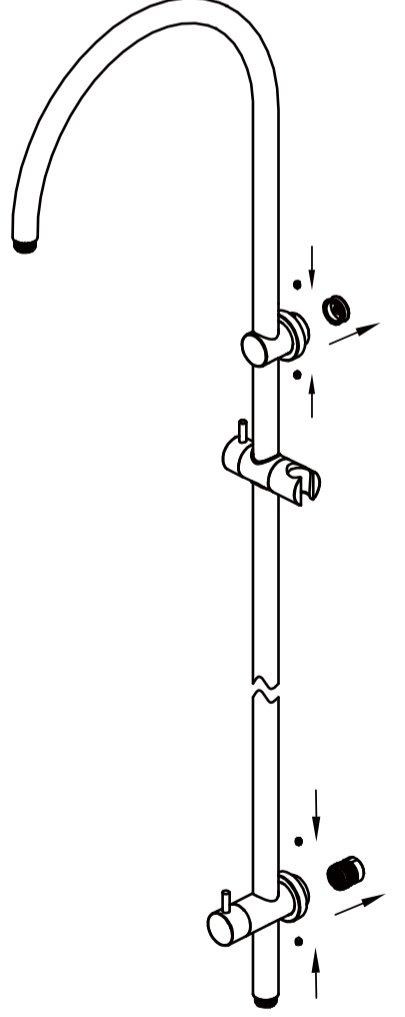
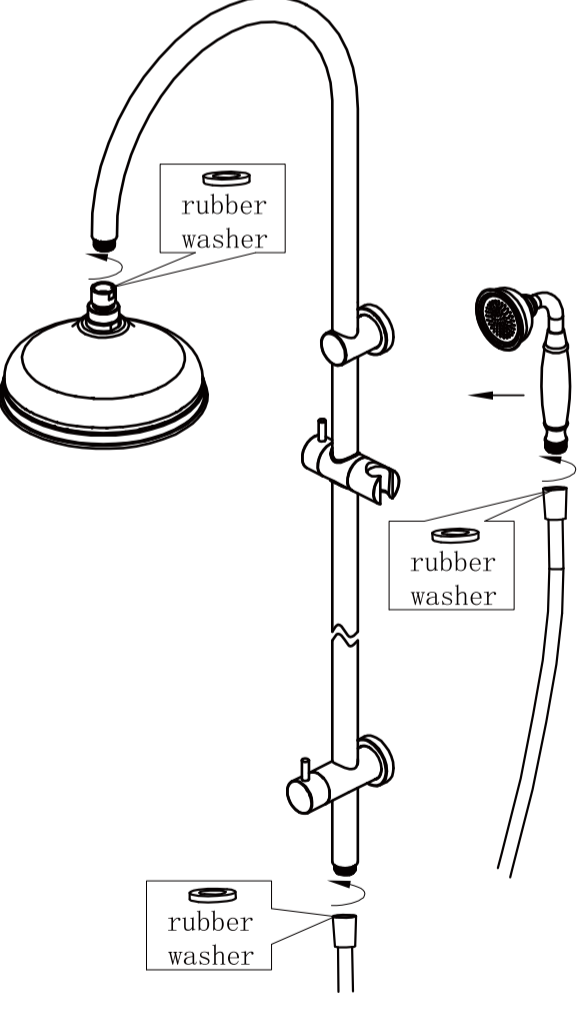
- 1x Hand Shower (Built-In Check Valve)
- 1x Shower Head
- 1x Shower Arm
- 1x Shower Rail
- 1x 1.5m Hose

Finish & SKU

	CHROME WITH WHITE PORCELAIN HAND SHOWER NR69210501CH		CHROME WITH METAL HAND SHOWER NR69210502CH
	MATTE BLACK WITH WHITE PORCELAIN HAND SHOWER NR69210501MB		MATTE BLACK WITH METAL HAND SHOWER NR69210502MB
	AGED BRASS WITH WHITE PORCELAIN HAND SHOWER NR69210501AB		AGED BRASS WITH METAL HAND SHOWER NR69210502AB
	BRUSHED NICKEL WITH WHITE PORCELAIN HAND SHOWER NR69210501BN		BRUSHED NICKEL WITH METAL HAND SHOWER NR69210502BN

*Dimensions are nominal measurements only.

 <p>1. Drill a $\phi 6$mm hole at the 676.3mm downwards or upwards outlet vertical downward or upward position, as the picture A and B.</p>	 <p>2. Screw the adapter onto the outlet. Push wall plug into drilled hole. Fit lower mounting pillar in place with screw. Tighten firmly.</p>	 <p>3. If you make hole as picture A, then you should install as picture C. You can ignore step 4 and install as step 5.</p> <p>If you make hole as picture B, then you should install as picture D. Then you need to change place of body and bracket as step 4.</p>
--	---	---

 <p>4. Unscrew 3 grub screws as picture and unplug short shower rail, long short rail and shower arm one by one. Change the place of body and bracket. Then plug in short shower rail, long shower rail and shower arm and screw the 3 grub screws.</p>	 <p>5. Screw shower rail into shower arm component. Tighten firmly. Push 2 back plates onto shower arm component and body</p>	 <p>6. Locate and put shower rail assembly onto wall adapters. Tighten grub screws firmly with allen key provided.</p>	 <p>7. Screw shower head to shower arm with care. (Note the rubber washer in the shower head.) Connect shower rail and hand shower with hose. (Note rubber washer in the hose.) TEST & CHECK FOR LEAKS</p>
--	--	---	---

Nero

