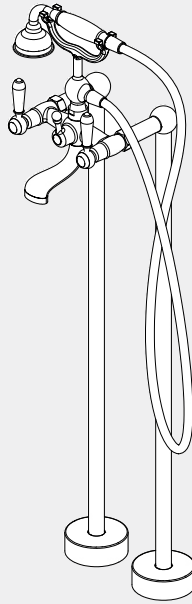


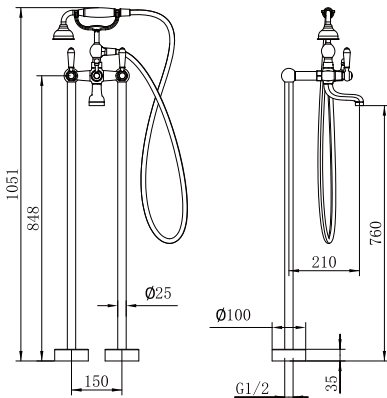
York Freestanding Bath Set

Nero



Versions:2024

Drawing



Specifications

Watermark License

WM-060073

Temperature Rating

Min 1°C-Max 75°C

Pressure Rating

Min 150kpa - Max 500kpa

Packaging Includes

- 1x Hand Shower (Built- In Check Valve)
- 6x Dynabolts
- 2x Adapters
- 2x Cover Plates
- 2x Outlet Pipes
- 4x Washers
- 1x Bath Set Body
- 1x 1.5m Shower Hose

Finish & SKU

	CHROME WITH WHITE PORCELAIN HAND SHOWER NR692103a01CH		CHROME WITH METAL HAND SHOWER NR692103a02CH
	MATTE BLACK WITH WHITE PORCELAIN HAND SHOWER NR692103a01MB		MATTE BLACK WITH METAL HAND SHOWER NR692103a02MB
	AGED BRASS WITH WHITE PORCELAIN HAND SHOWER NR692103a01AB		AGED BRASS WITH METAL HAND SHOWER NR692103a02AB
	BRUSHED NICKEL WITH WHITE PORCELAIN HAND SHOWER NR692103a01BN		POLISHED NICKEL WITH WHITE PORCELAIN HAND SHOWER NR692103a02BM
	BRUSHED NICKEL WITH METAL HAND SHOWER NR692103a01PN		POLISHED NICKEL WITH METAL HAND SHOWER NR692103a02PN

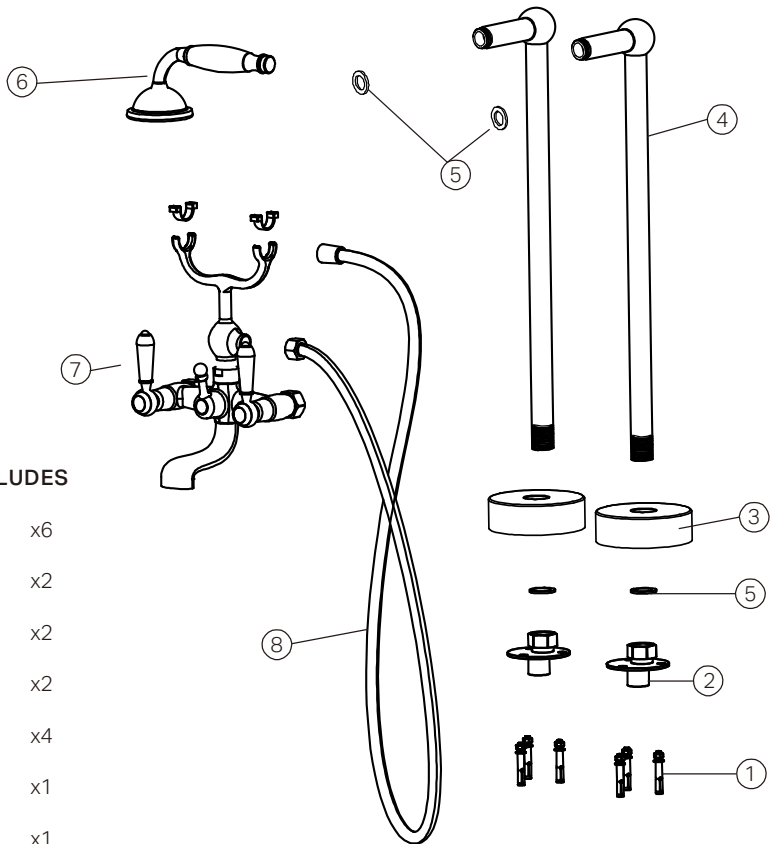
*Dimensions are nominal measurements only.

Installation Instruction

GENERAL INSTRUCTIONS:

- This product must be installed by a licensed plumber. Ensure that your plumbing installation conforms to the Australian/New Zealand Standard AS/NZS 3500.
- All pipework must be thoroughly flushed prior to the installation of the mixer. In-line filters must be fitted on both hot and cold supplies to prevent foreign particles from damaging the ceramic cartridge.
- All outlets used primarily for personal hygiene must deliver water at a safe temperature in accordance with regional regulations.

Parts

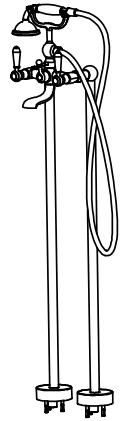


PACKAGING INCLUDES

- | | |
|---------------------|----|
| 1. Dynabolt | x6 |
| 2. Adapter | x2 |
| 3. Cover Plate | x2 |
| 4. Outlet Pipe | x2 |
| 5. Washer | x4 |
| 6. Hand shower | x1 |
| 7. Bath Set Body | x1 |
| 8. Shower Hose 1.5m | x1 |

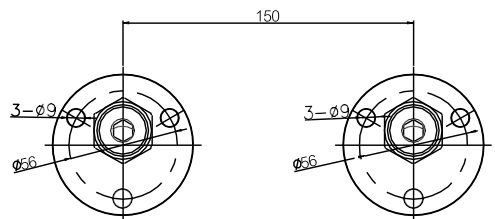
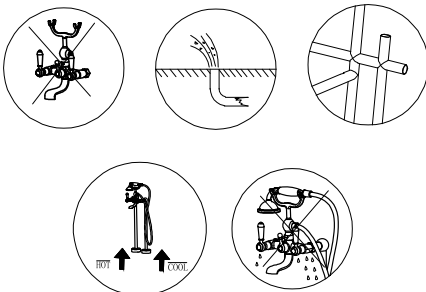
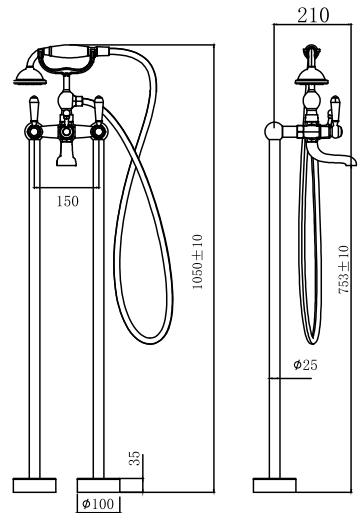
SPECIFICATIONS

- Check the actual product and accessories against the packing list upon opening the package.
- Contact your local dealer immediately if any parts are missing or damaged.
- The product's appearance is based on the actual item; the illustrative images are for reference only.
- Accessories are subject to change without notice if it doesn't affect usage.

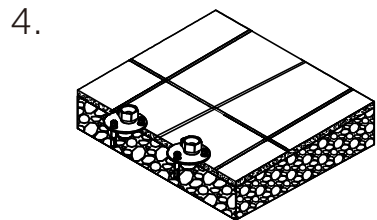
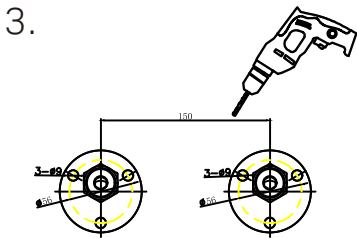
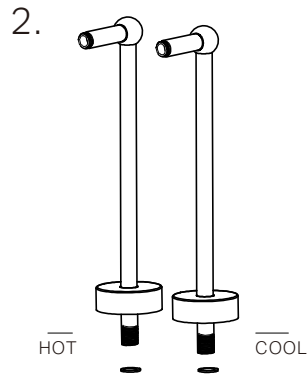
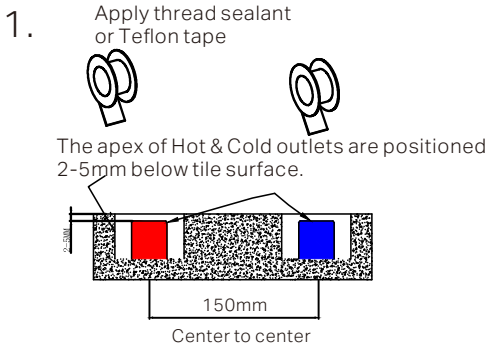


INSTALLATION GUIDE

- The main body is already factory-tested and adjusted, so do not disassemble it to avoid affecting performance.
- Before installing the free standing bath set, be sure to clean out any impurities and sludge from the pre-installed water pipes to prevent clogging.
- After installation, check all connections for tightness to ensure there are no leaks.
- For piping, the left side is for hot water inlet and the right side is for cold water inlet. Do not reverse them.
- The normal operating water pressure is 150kpa - 500kpa.
- Recommended water temperature for use is 4°to 55°C.



INSTALLATION INSTRUCTION



- Prior to commencing installation, verify that the distance between the hot and cold water outlets is 150mm. Confirming that the apex of these outlets is positioned 2-5mm below the tile surface for optimal fitting.

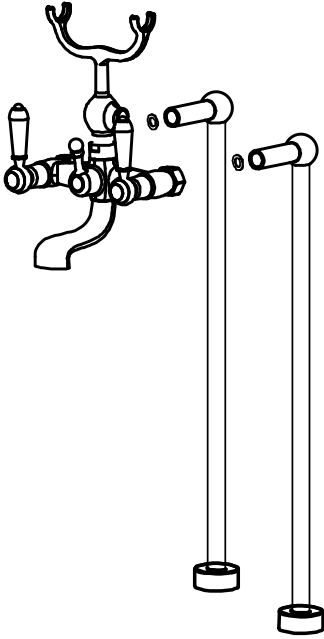
- Apply thread sealant or Teflon tape onto G1/2 water outlets.

- Place the adapter onto the outlets. Accurately locate the positioning studs, then drill pilot holes at these points. Securely install the adapter using dynabolts, ensuring a firm and stable connection.

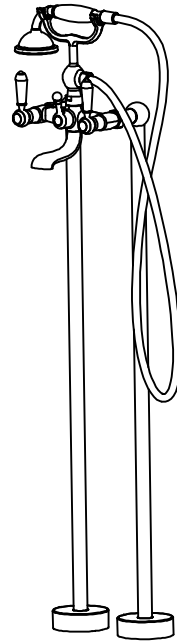
- Flush the internal piping prior to installing the bath set.

- Install the cover plate at the bottom, and then secure the bath set to the floor with dynabolts, ensuring the stability of the bath set's base.

- Test and check for leaks.



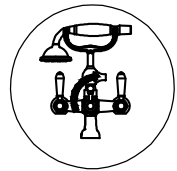
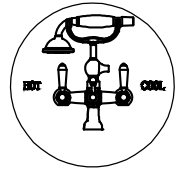
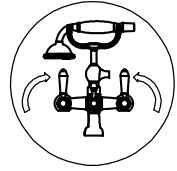
- Fix the outlet pipes and bath set body in the correct position and ensure that the hot and cold water pipes are connected correctly, with hot on the left and cold on the right.
- Tighten all connections to prevent water leakage.
- Test and check for leaks.



- Connect the hand shower to the top of the bath set body.
- Ensure that the hose is connected properly and check the hose for any kinks or twists that might restrict water flow.
- After securing, test the hand shower to ensure it operates correctly.
- Test and check for leaks

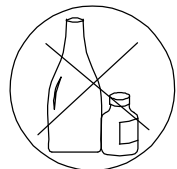
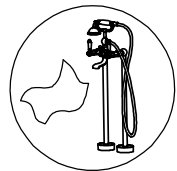
USAGE AND TESTING

- Turn the left handle clockwise to open at a 90° angle, and the right handle counter clockwise to the same angle; the water flow changes with the angle. Hot water is on the left, cold on the right.
- The initial setting is for water to run through the hand shower. Rotate the diverter clockwise by 90° to switch the flow to the spout. Turning it counter clockwise by 90° will switch the flow back to the hand shower.
- With the bath set turned off, turn on the water supply valve and check all connections for leaks.
- Turn on the bath set and rotate the diverter to switch the flow from the hand shower to the spout, and check for any leaks.



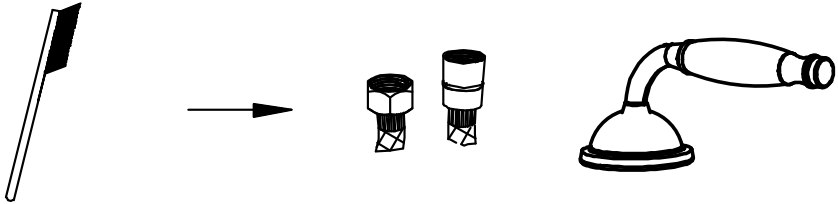
MAINTENANCE AND CARE

- Regularly clean it with clear water and dry it with a soft cotton cloth to maintain its shine and brightness.
- Do not use acidic cleaners, as they can erode the surface coating. If accidentally applied, rinse immediately with clear water.
- Avoid using scouring powders or cleaners with abrasive particles that could scratch the product.
- When using, do not pull the shower hose forcefully to prevent it from tearing.



Regular hand shower Cleaning:

- Under normal water pressure conditions, when the water flow decreases, please soak the parts list below, and use a small brush to clean shower hose and nozzles on the hand shower.



MAINTENANCE AND CARE:

- Regularly check the mixer and connections for signs of wear or leaks.
- Clean the tap with mild soapy water to maintain its appearance, avoiding harsh chemicals and abrasive materials that may damage the finish.

FINAL INSPECTION:

- Ensure the tap operates smoothly and there are no leaks at the connections.
- Clean the area and the newly installed tap with a soft cloth to remove any installation residues.

Nero

