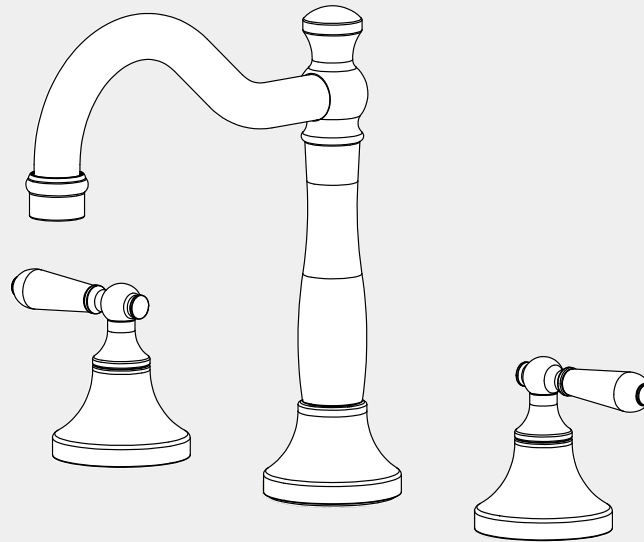


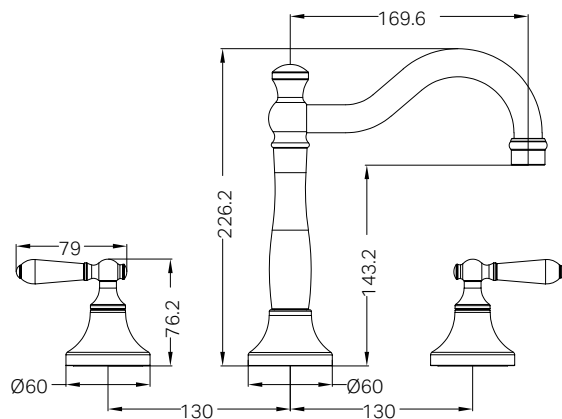
# York Basin Set

# Nero



Versions:202405

## Drawing



## Specifications

### Watermark License

WM-060073







### Temperature Rating

Min 1°C - Max 75°C

### Pressure Rating

Min 150kpa - Max 500kpa

## Finish & SKU

	CHROME WITH WHITE PORCELAIN LEVER NR692102a01CH
	MATTE BLACK WITH WHITE PORCELAIN LEVER NR692102a01MB
	AGED BRASS WITH WHITE PORCELAIN LEVER NR692102a01AB
	BRUSHED NICKEL WITH WHITE PORCELAIN LEVER NR692102a01BN
	POLISHED NICKEL WITH WHITE PORCELAIN LEVER NR692102a01PN
	CHROME WITH BLACK PORCELAIN LEVER NR692102a03CH

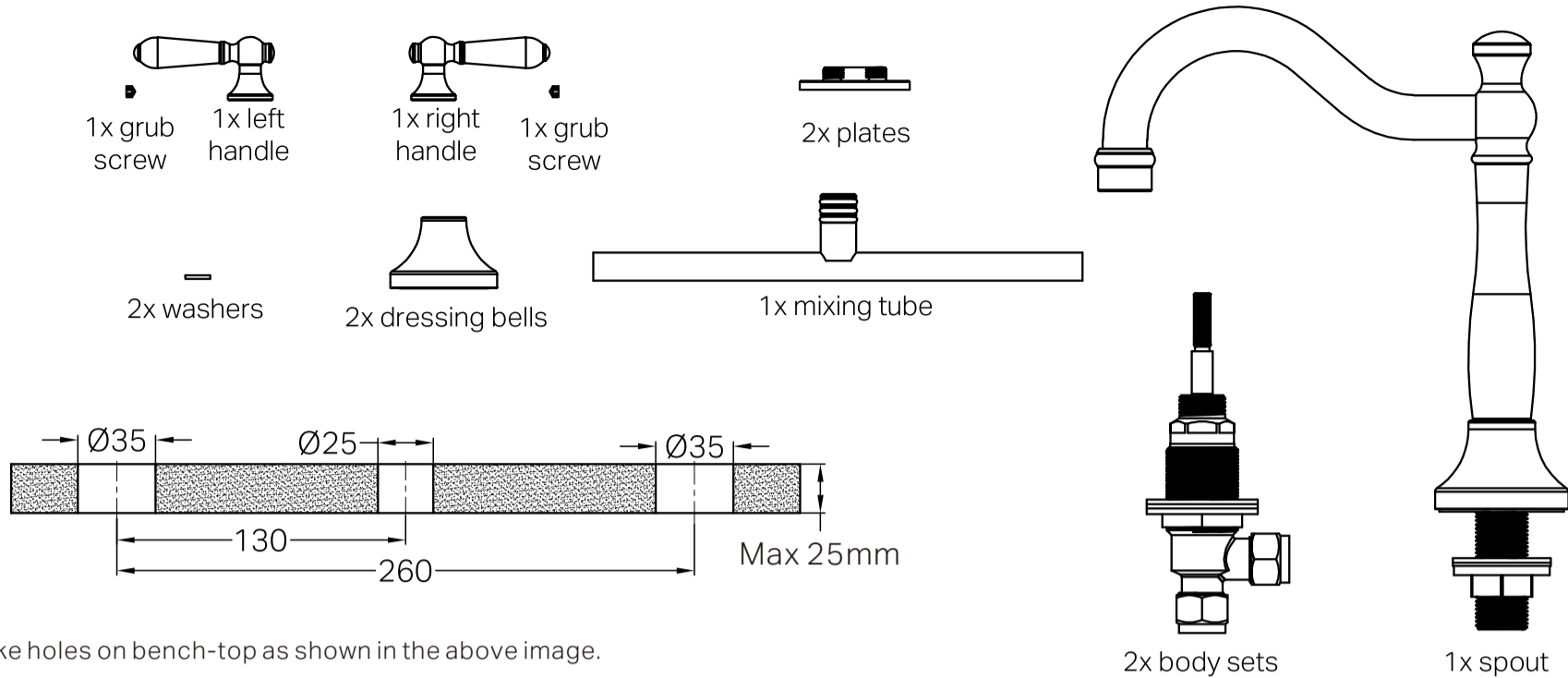
## Packaging Includes

- 1x Spout
- 2x Wall Top Handles
- 1x Mixing Tube

	CHROME WITH METAL LEVER NR692102a02CH
	MATTE BLACK WITH METAL LEVER NR692102a02MB
	AGED BRASS WITH METAL LEVER NR692102a02AB
	BRUSHED NICKEL WITH METAL LEVER NR692102a02BN
	POLISHED NICKEL WITH METAL LEVER NR692102a02PN

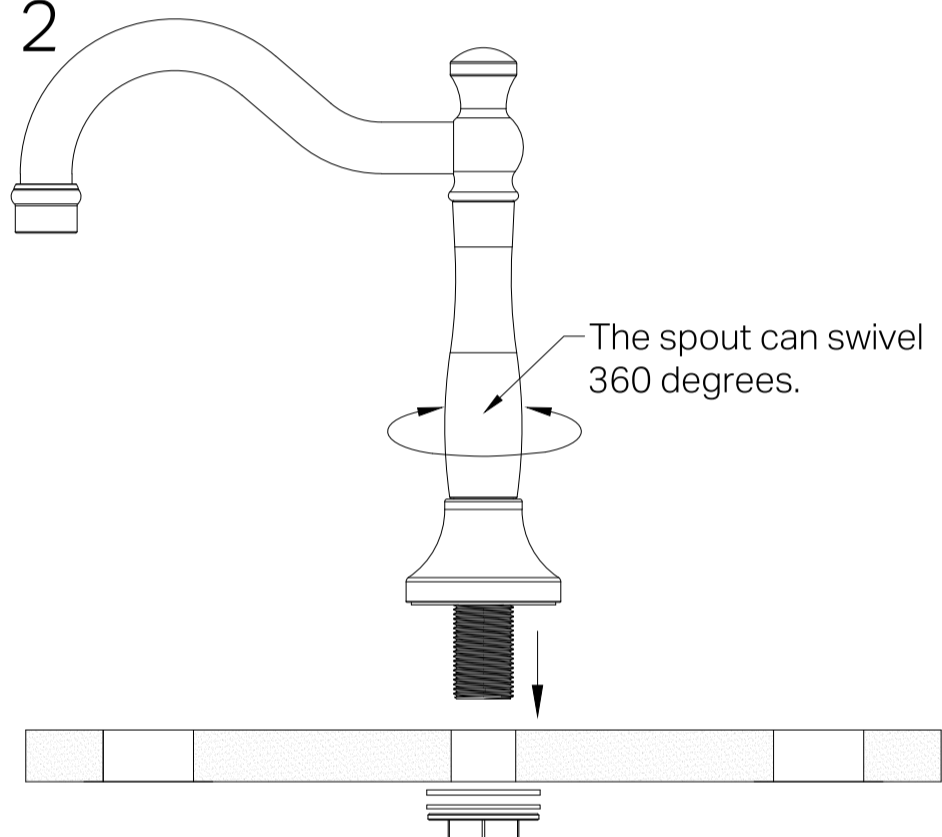
\*Dimensions are nominal measurements only.

1



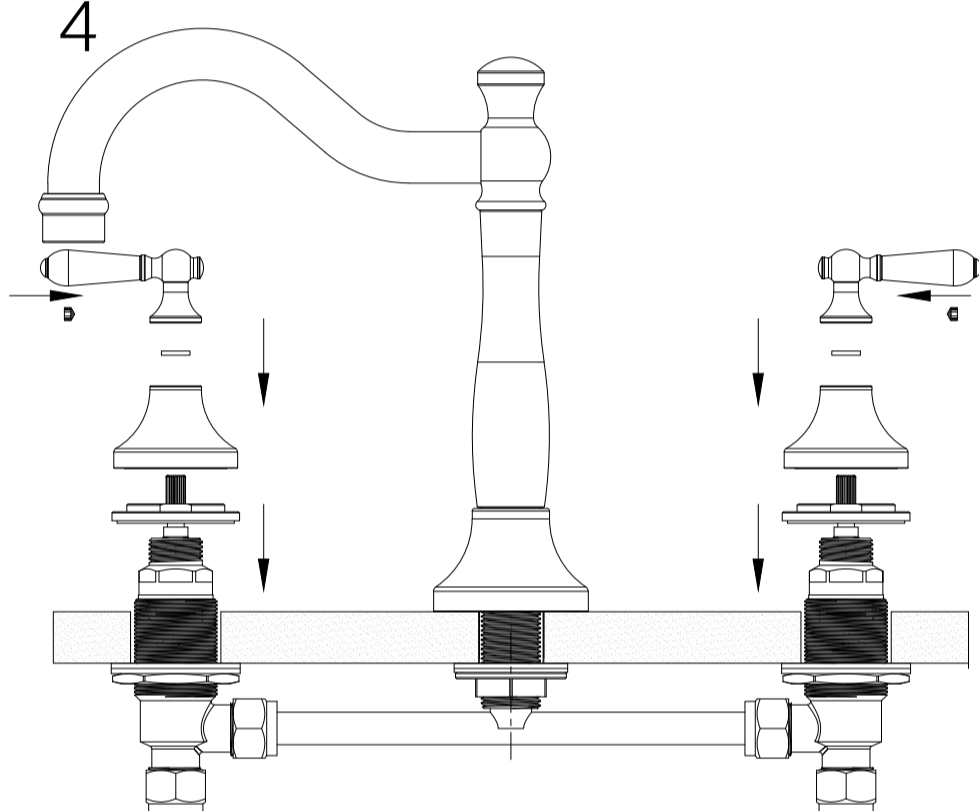
- Make holes on bench-top as shown in the above image.

2



- Remove the hex nut and washer from the spout.
- Insert the spout into the designated opening on the bench-top.
- From underneath the bench-top, place the washer onto the spout, then secure the spout by tightening the hex nut.

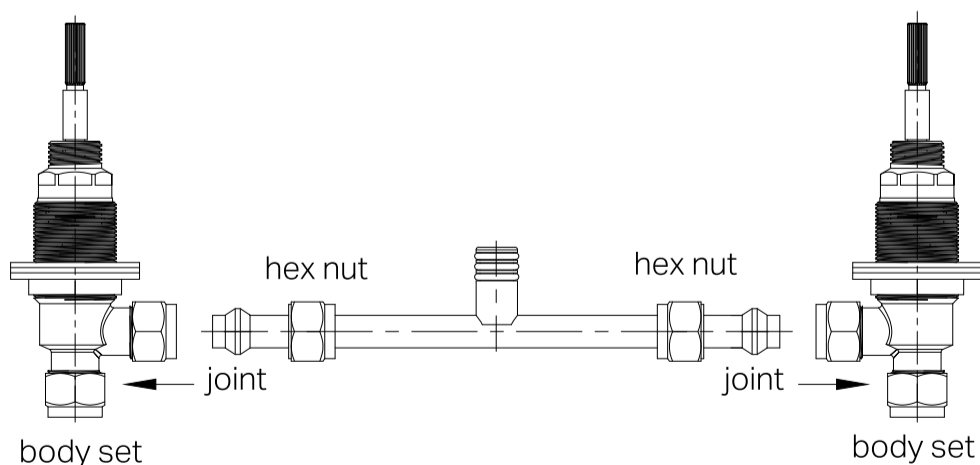
4



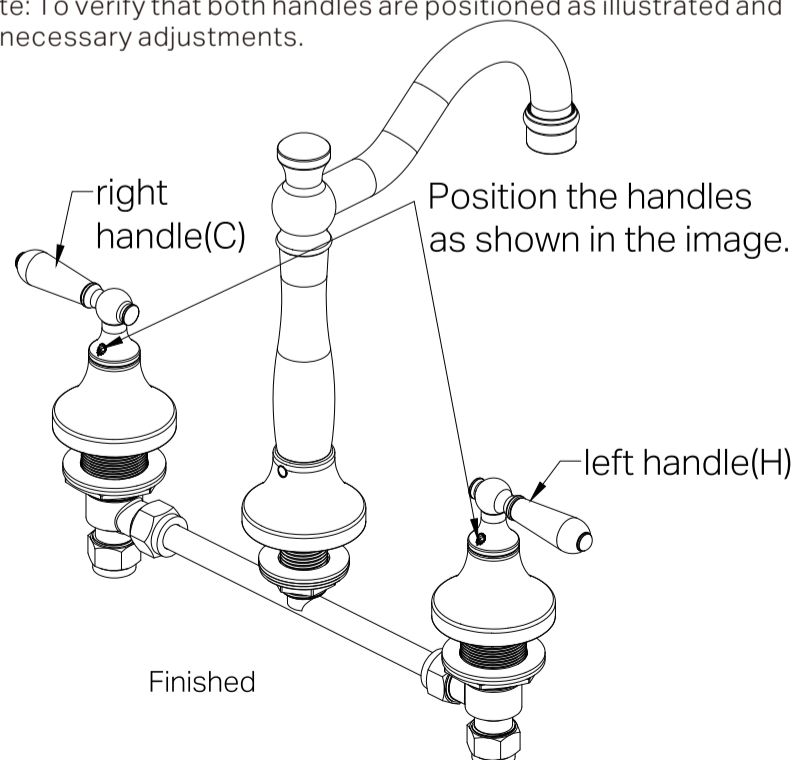
- Insert the pre-assembled mixer (from Step 3) through the bottom opening of the bench-top.
- Place the plates over the bench-top and firmly tighten the plates using a wrench.
- Slide the dressing bells up towards the bench-top, ensuring the washer is placed inside the handles.
- Correctly position the right and left handles as indicated in the diagram.
- From below, tighten the hex nuts on the mixing tube with a wrench to secure the assembly.

Please note: To verify that both handles are positioned as illustrated and make any necessary adjustments.

3



- Detach the hex nut and joint from the mixer's body set.
- Align and insert the joint into the body sets.
- Secure the joint by hand-tightening the hex nuts onto the mixing tube. Do not over-tighten, as adjustments may be needed later.



# Nero

