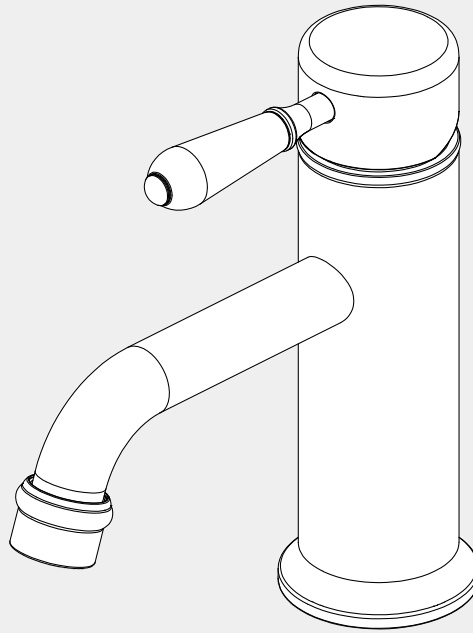


York Straight Basin Mixer

Nero



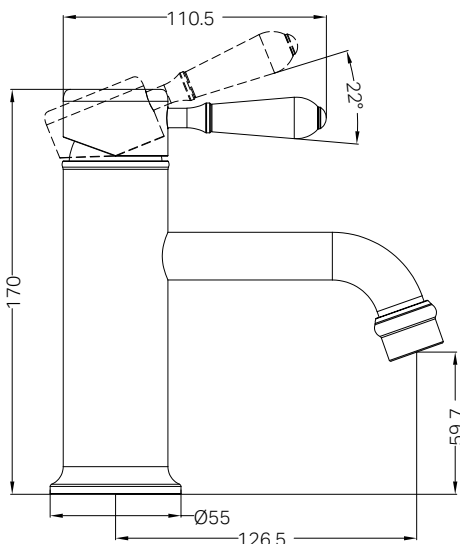
Lead Free



Versions:202405



Drawing



Specifications

Watermark License

WM-060073







Temperature Rating

Min 1°C - Max 75°C

Pressure Rating

Min 150kpa - Max 500kpa

Finish & SKU

	CHROME WITH WHITE PORCELAIN LEVER NR692101b01CH
	MATTE BLACK WITH WHITE PORCELAIN LEVER NR692101b01MB
	AGED BRASS WITH WHITE PORCELAIN LEVER NR692101b01AB
	BRUSHED NICKEL WITH WHITE PORCELAIN LEVER NR692101b01BN
	POLISHED NICKEL WITH WHITE PORCELAIN LEVER NR692101b01PN
	CHROME WITH BLACK PORCELAIN LEVER NR692101b03CH

	CHROME WITH METAL LEVER NR692101b02CH
	MATTE BLACK WITH METAL LEVER NR692101b02MB
	AGED BRASS WITH METAL LEVER NR692101b02AB
	BRUSHED NICKEL WITH METAL LEVER NR692101b02BN
	POLISHED NICKEL WITH METAL LEVER NR692101b02PN

Packaging Includes

1x Basin Mixer
2x Flexible Hoses

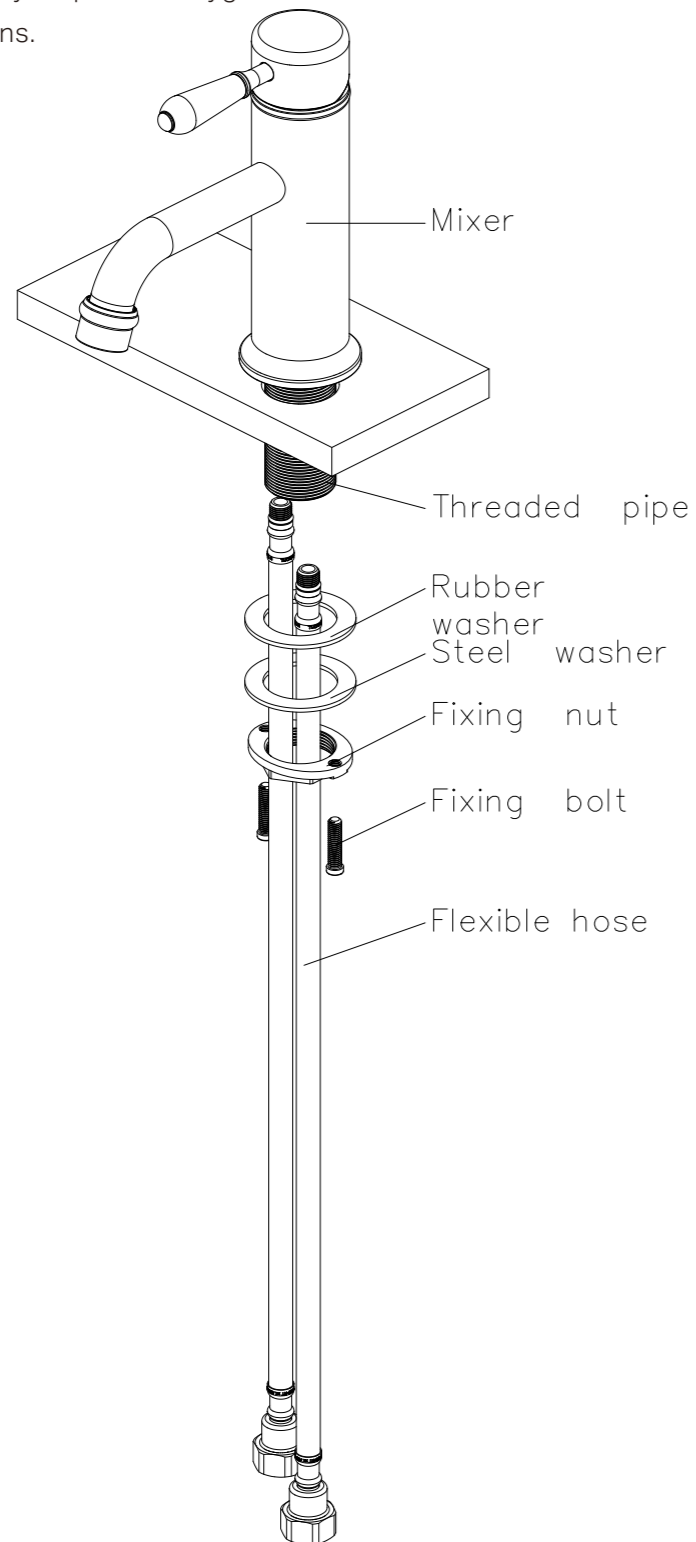
*Dimensions are nominal measurements only.

Installation Instruction

IMPORTANT: Read all instructions before installing.

GENERAL INSTRUCTIONS:

- This product must be installed by a licensed plumber. Ensure that your plumbing installation conforms to the Australian/New Zealand Standard AS/NZS 3500.
- All pipework must be thoroughly flushed prior to the installation of the mixer. In-line filters must be fitted on both hot and cold supplies to prevent foreign particles from damaging the ceramic cartridge.
- All outlets used primarily for personal hygiene must deliver water at a safe temperature in accordance with regional regulations.



General:

Nero recommends this product is installed by a licensed plumber in compliance with all relevant regional regulations.

Do not hydrostatic test the installation with this mixer installed. Damage to the ceramic cartridge may occur.

All pipe work must be thoroughly flushed prior to the installation of the mixer.

In-line filters must be fitted on both hot and cold supplies to prevent foreign particles damaging the ceramic cartridge.

Do not remove the ceramic cartridge from the mixer when installing.

After installation all connections must be checked for leaks.

All outlets used primarily for personal hygiene shall deliver water at a safe temperature as per regional regulations.

This mixer is not recommended for use in uncontrolled heating systems such as wet-backs or solar heating units unless a suitable tempering valve is fitted.

If limited water flow is experienced, locate aerator and filter washers and clean away foreign material as required.

It is the responsibility of the installer to ensure a waterproof seal is achieved between the product and mounting surface. If in doubt about the quality of the seal, remove the product and reinstall.

Installation Instruction:

1. Screw the flexible hoses into the mixer body, and fully hand tighten.
2. Pass the tail of flexible pipes through the hole on the bench top from above, and place the mixer in position on the bench top. Inspect to see if any alteration to the existing supply pipe work is required. Make any necessary alterations.
3. Tighten the fixing nut to threaded pipes compressing the galvanized washer and rubber washer from the under-side of the counter. Then tighten the 2 screws on the fixing nut.
4. Check that the mixer body is positioned correctly, fully tighten the fixing nut screw and fixing bolts firmly.
5. Connect the water supply pipes to the tail of flexible hoses with the hot water and cold water. Make sure the o-ring in the base ring seals completely around the hole in the mounting surface
6. Test for any leaks.

MAINTENANCE AND CARE:

- Regularly check the mixer and connections for signs of wear or leaks.
- Clean the tap with mild soapy water to maintain its appearance, avoiding harsh chemicals and abrasive materials that may damage the finish.

FINAL INSPECTION:

- Ensure the tap operates smoothly and that there are no leaks at the connections.
- Clean the area and the newly installed tap with a soft cloth to remove any installation residues.

Nero



Lead Free

