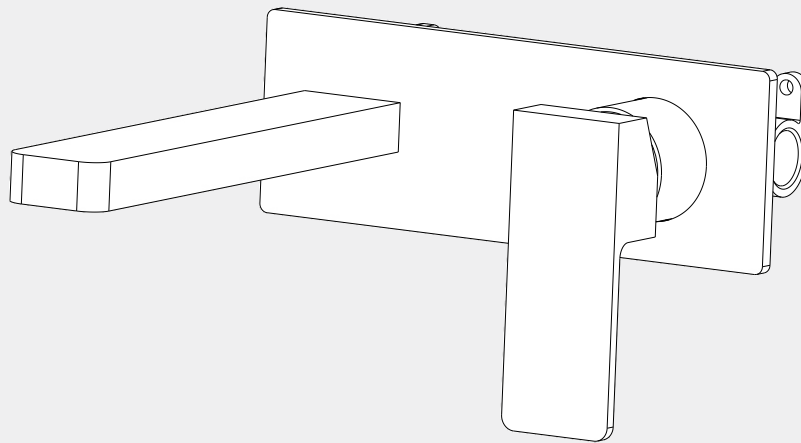


# Celia

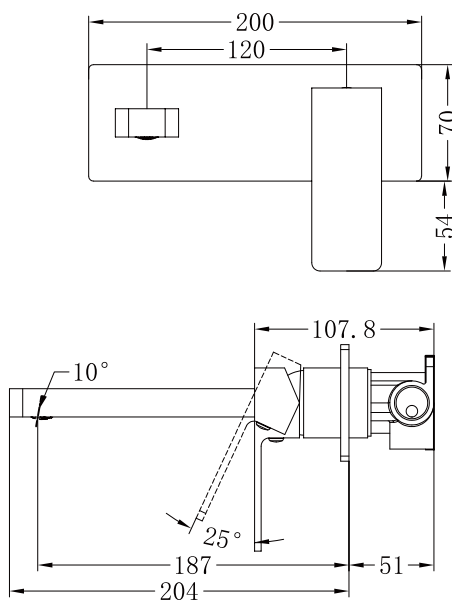
## Wall Basin/Bath Mixer

# Nero



Versions:202401

### Drawing



### Specifications

**Watermark License**  
WM-060073

**Temperature Rating**  
Min 1°C-Max 75°C

**Pressure Rating**  
Min 150kpa - Max 500kpa

### Packaging Includes

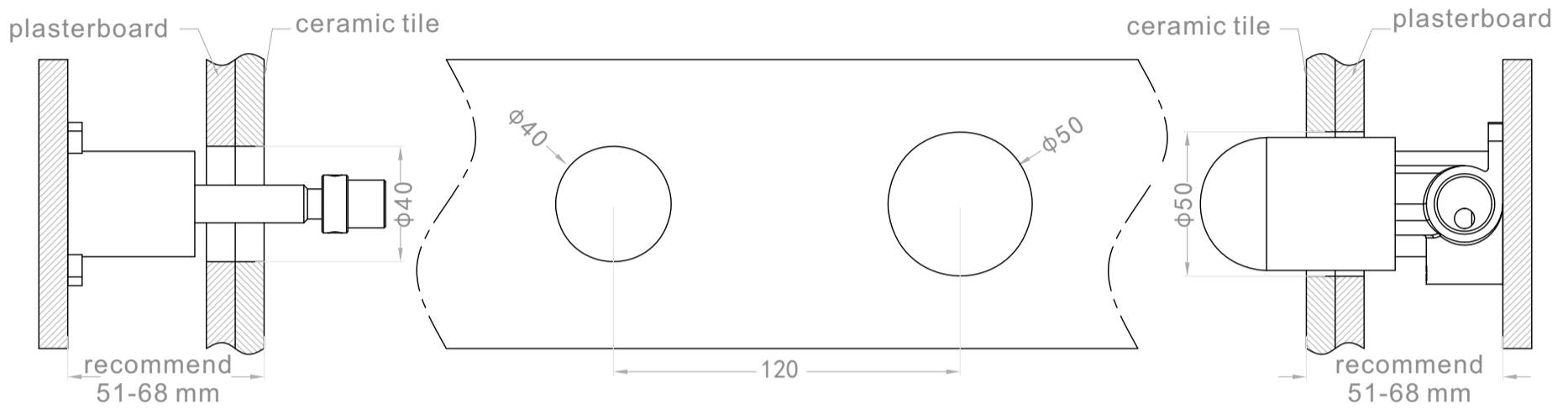
1x Mixer Body  
1x Spout  
1x Plate  
1x Handle

### Finish & SKU

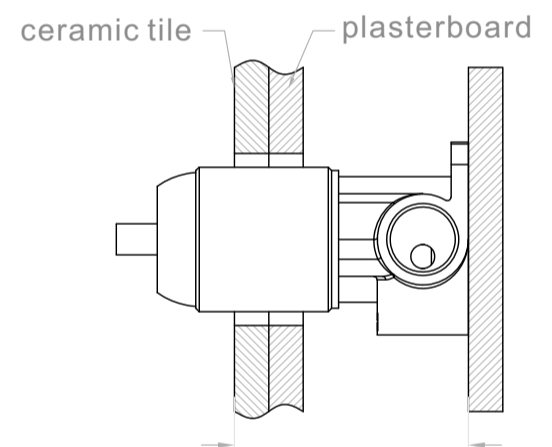
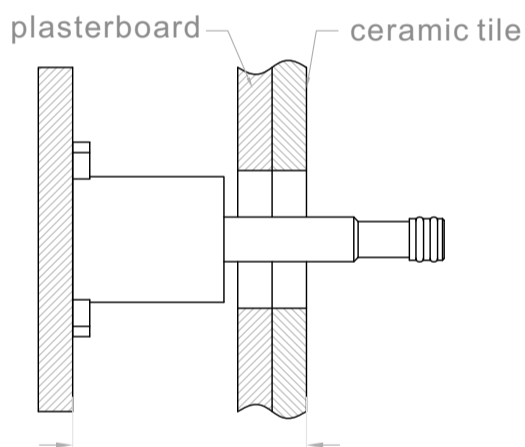
● Chrome NR301507aCH   ● Matte Black NR301507aMB   ● Brushed Nickel NR301507aBN

\*Dimensions are nominal measurements only.

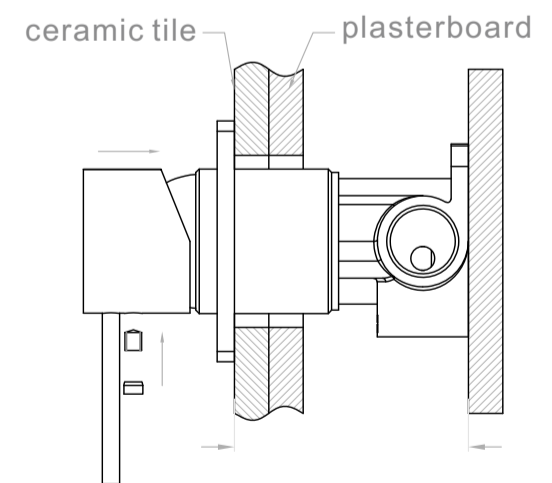
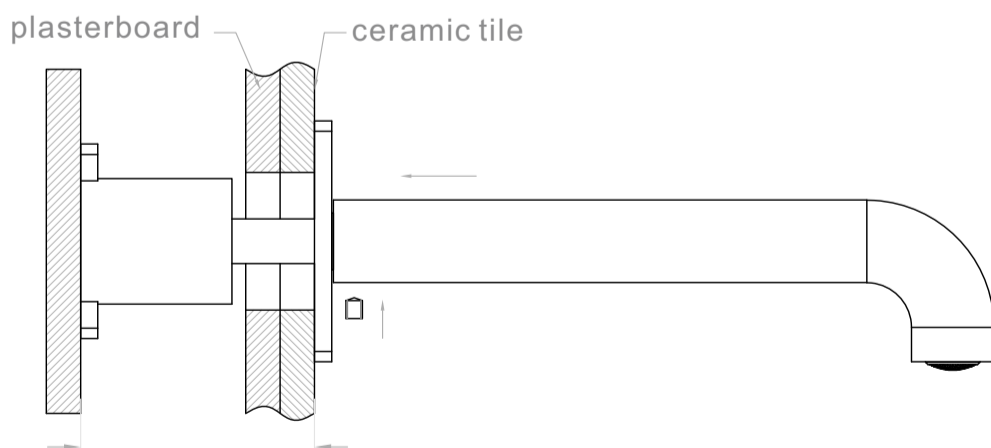
# Installation Instruction



1. Fix body on noggin and ensure installation depth is 51-68mm from noggin to ceramic tile.
2. Connect cold water hose and hot water hose and conduct water pressure test for leakage.
3. Install plasterboard and ceramic tile after drilling a φ50 and a φ40 hole according to above picture.



4. Remove the plastic sleeve, grub screw and water testing plug.



5. Install washer, plate, spout and handle.

# Nero

info@nerotapware.com.au  
nerotapware.com.au

11-13 Buontempo Road  
Carrum Downs Vic 3201

