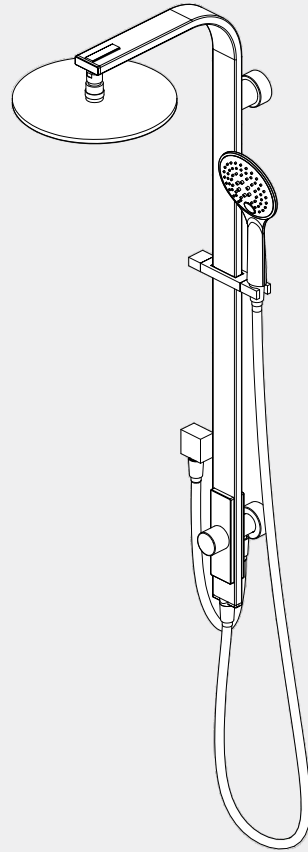


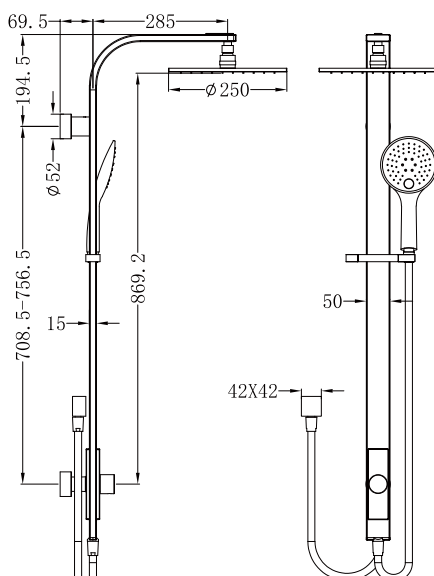
Astra Rain Round Twin Shower double Hose

Nero



Versions:202401

Drawing



Specifications

Watermark License

WM-060093

Temperature Rating

Min 1°C-Max 75°C

Pressure Rating

Min 150kpa - Max 500kpa

Finish & SKU

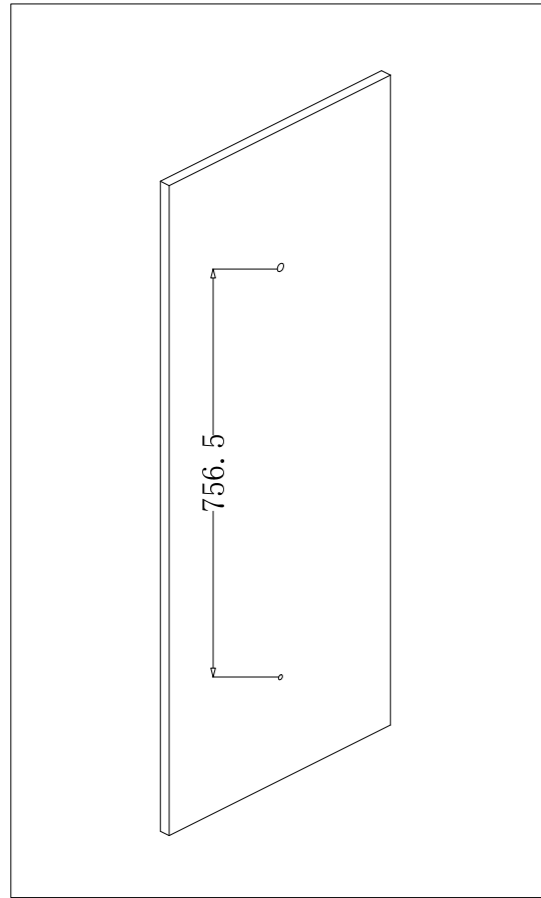
● Chrome
NR281305bCH

● Matte Black
NR281305bMB

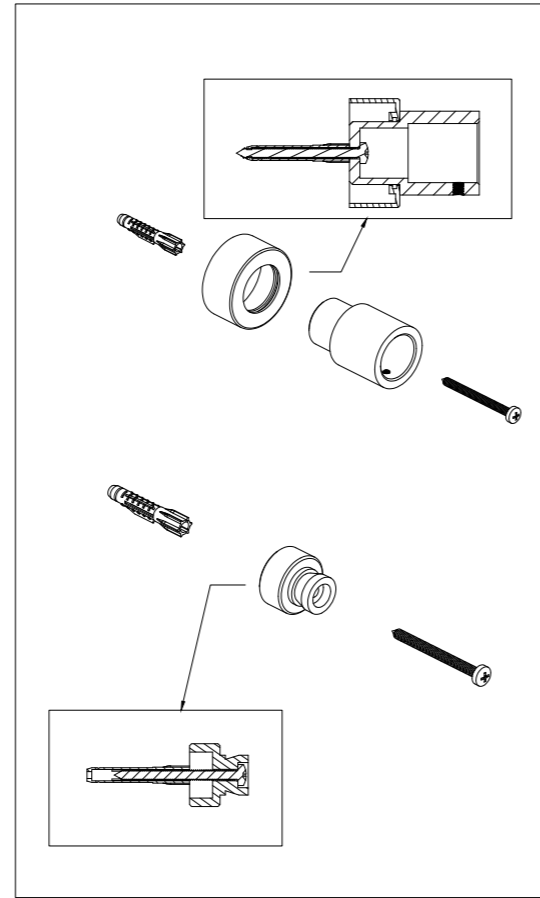
Packaging Includes

- 1x Shower Arm
- 1x Shower Rail
- 1x Shower Head
- 1x Hand Shower
- 1x 1.5m PVC Shower Hose
For Hand Shower
- 1x 0.5m PVC Shower Hose For Elbow

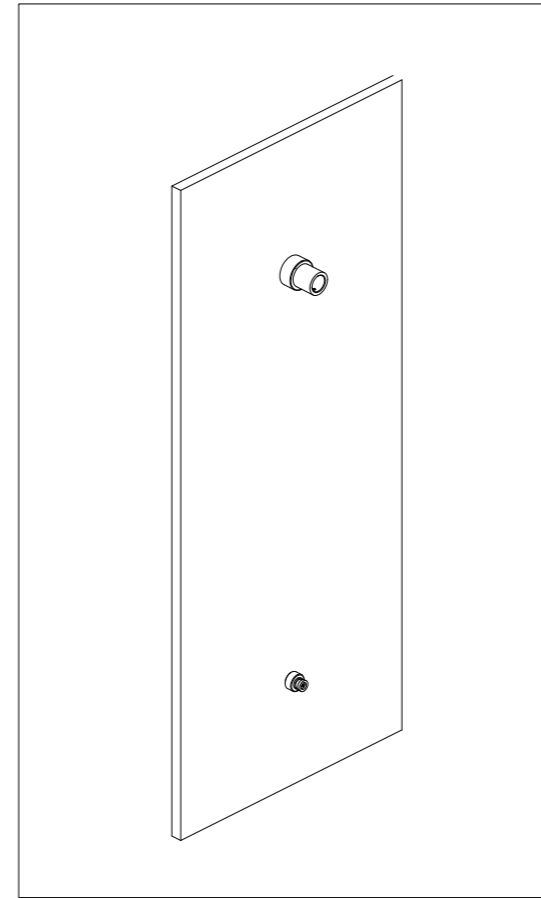
*Dimensions are nominal measurements only.



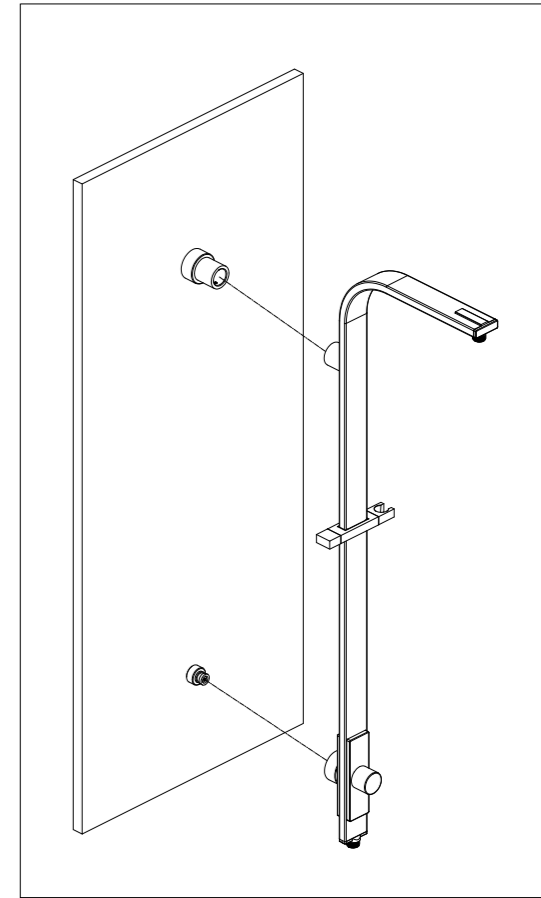
1. Drill two vertical holes in the wall, 756.5mm apart.



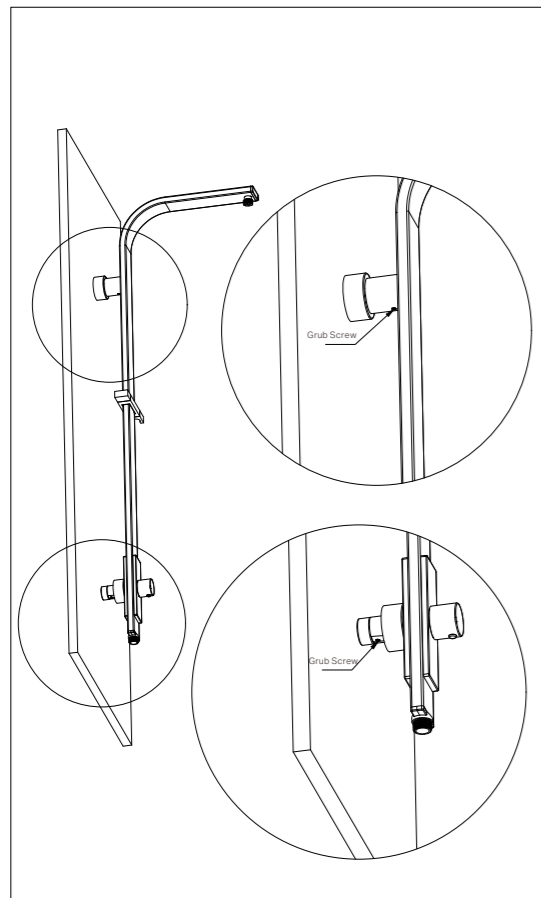
2. Insert the expansion screws into the holes, then attach the backplate and fixing bracket using the provided screws.



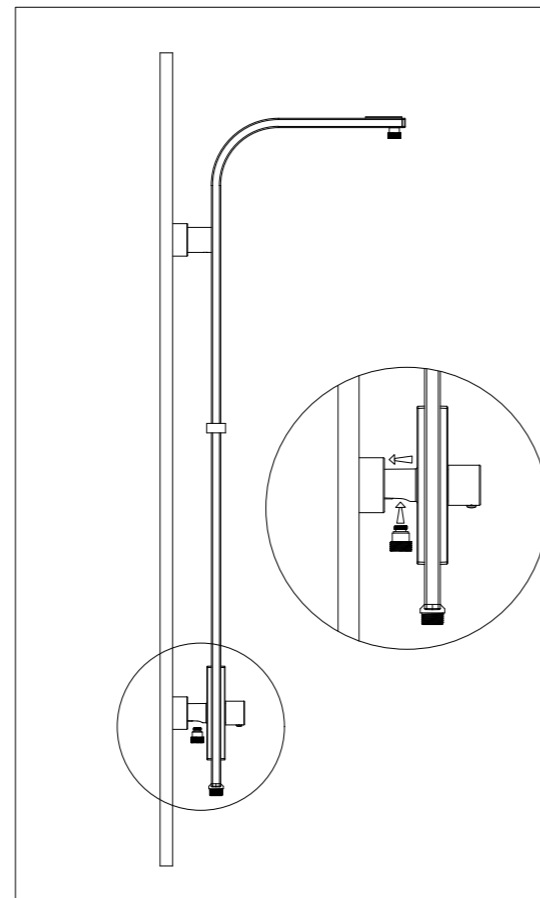
3. Verify the secure installation of the top and bottom brackets as shown in the image.



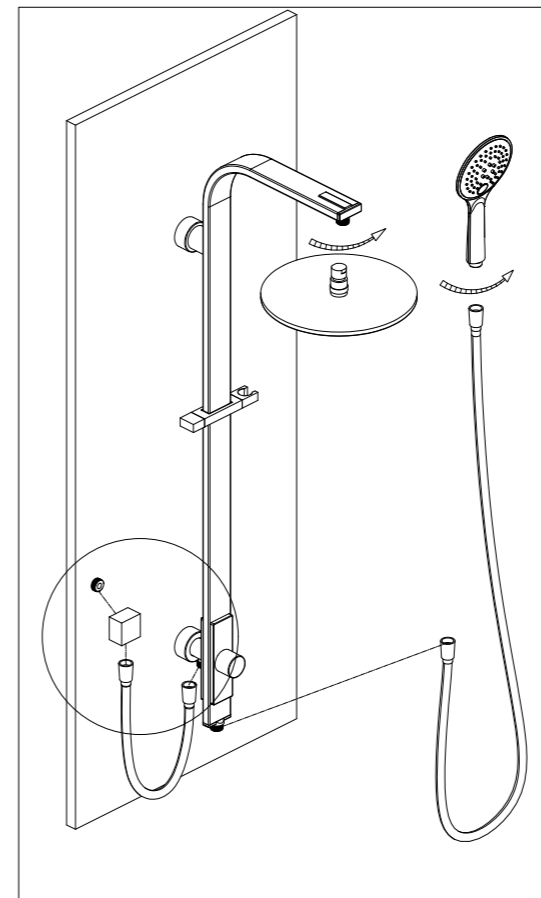
4. Place the shower rail onto the mounted brackets.



5. Push the shower rail onto the brackets firmly and tighten with the grub screw.



6. Adjust the bottom bracket so the water inlet connection thread is exposed.



7. Attach the elbow to the water inlet. Connect the 0.5m hose from the elbow to the inlet connection, and the 1.5m hose from the lower end of the rail to the hand shower.

Nero

info@nerotapware.com.au
nerotapware.com.au

11-13 Buontempo Road
Carrum Downs Vic 3201

