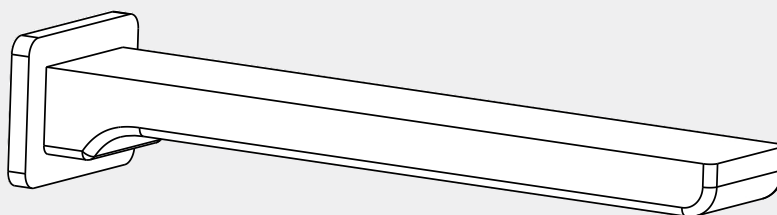


Celia

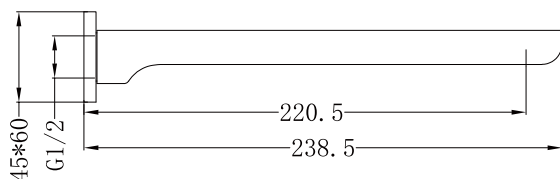
Fixed Bath Spout Only

Nero



Versions:202401

Drawing



Specifications

Watermark License

WM-060073

Temperature Rating

Min 1°C-Max 75°C

Pressure Rating

Min 150kpa - Max 500kpa

Packaging Includes

1x Spout
1x Base Ring
1x Installation Kit

Finish & SKU

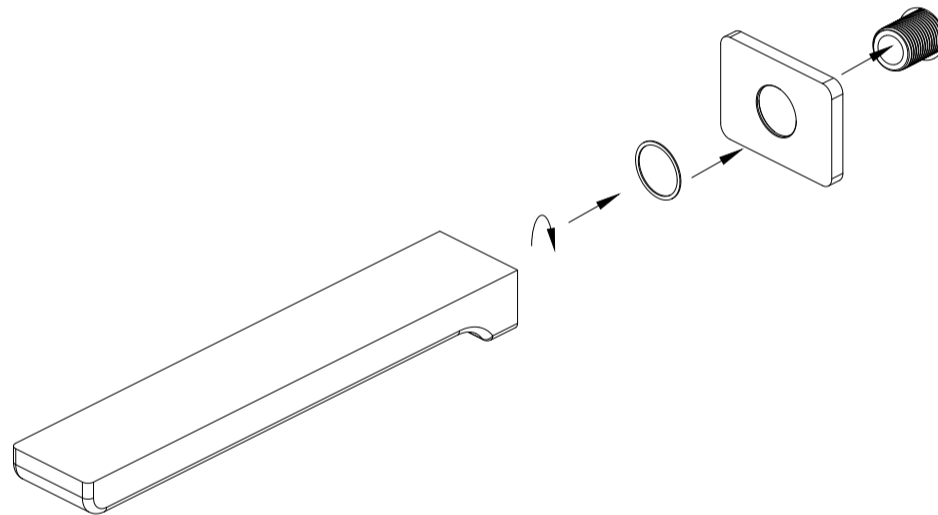
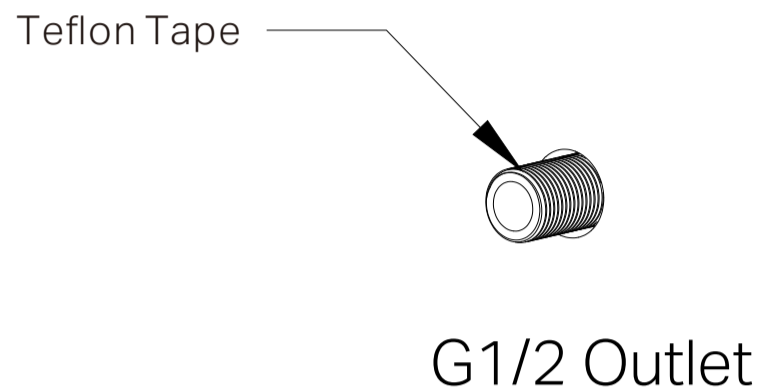
● Chrome NR281303CH ● Matte Black NR281303MB ● Brushed Nickel NR281303BN

*Dimensions are nominal measurements only.

Installation Instruction

Preparing the Threaded Outlet:

Wrap Teflon tape clockwise around the threads of the outlet to ensure a watertight seal.



Installing the backplate:

Place the rubber washer onto the backplate. The washer should fit snugly, ensuring no water penetration behind the backplate.

Align the backplate with the threaded outlet. Ensure the orientation is correct for aesthetic alignment and functional accessibility.

Fixture Installation:

Carefully thread the spout into the threaded outlet by hand to avoid cross-threading.

Please do not over-tighten; ensure there is sufficient compression on the rubber washer to prevent leaks without damaging the threads or spout.

Final Checks:

Inspect the installation for any visible gaps or misalignments.

Turn on the water supply and check for leaks around the spout and backplate. If leaks are present, gently tighten the connections further.

Nero

info@nerotapware.com.au
nerotapware.com.au

11-13 Buontempo Road
Carrum Downs Vic 3201

