

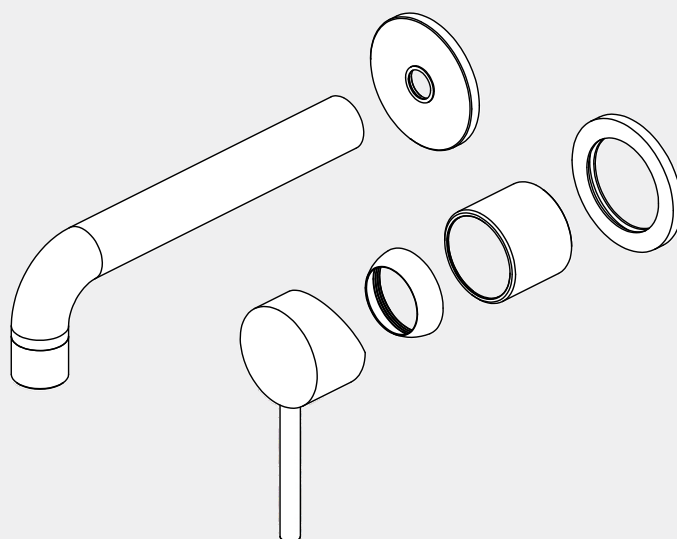
# Dolce Wall Basin/Bath Mixer Separate Back Plate

# Nero

Trim Kits Only



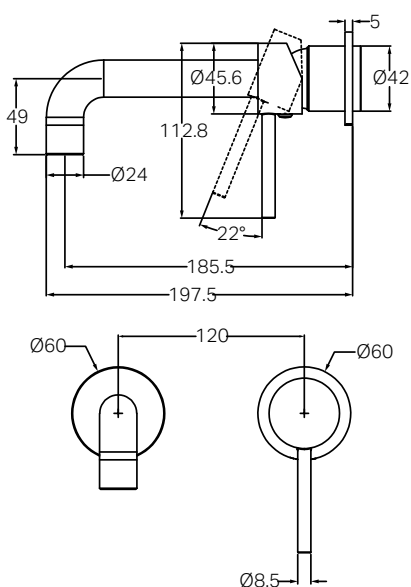
Lead Free



Versions:202405



## Drawing



## Specifications

### Watermark License

WM-060073






### Temperature Rating

Min 1°C - Max 75°C

### Pressure Rating

Min 150kpa - Max 500kpa

## Finish & SKU

- |   |  |  |
|---|--|--|
|  Chrome<br>NR250810ctCH      |  Gun Metal<br>NR250810ctGM    |  Brushed Nickel<br>NR250810ctBN |
|  Matte Black<br>NR250810ctMB |  Brushed Gold<br>NR250810ctBG |  |

## Packaging Includes

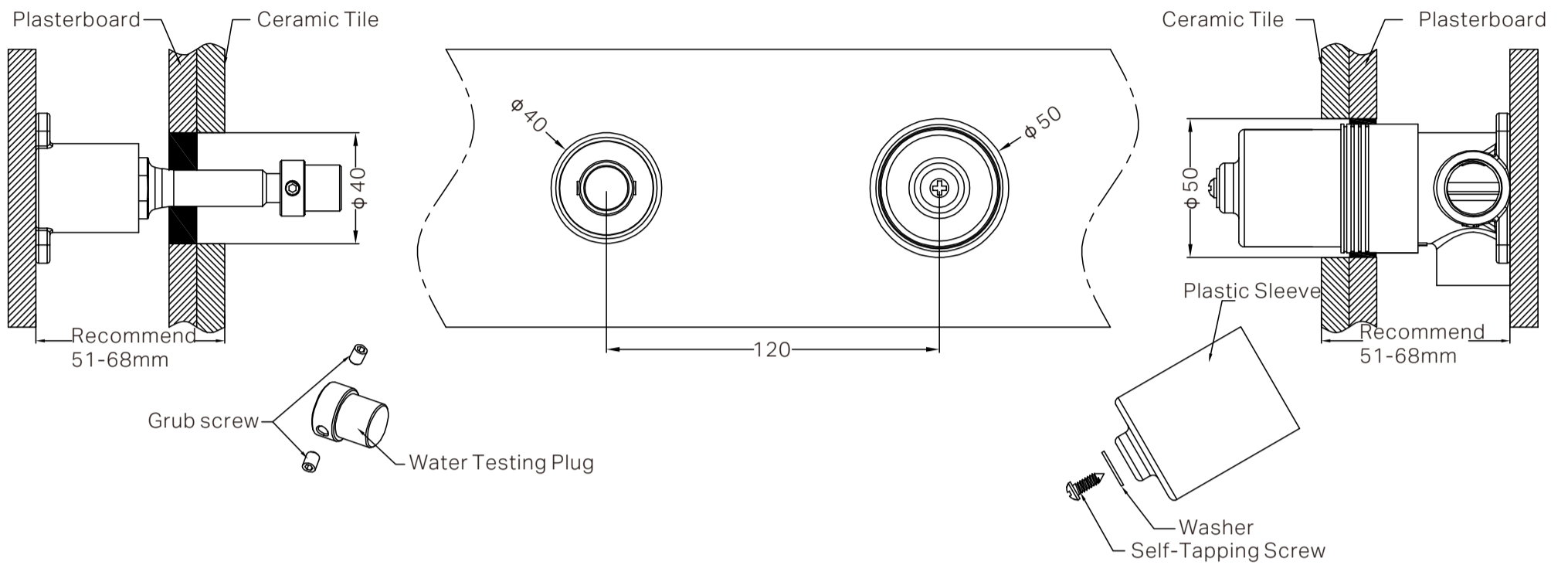
- 2x Plates
- 1x Handle
- 1x Spout
- 1x Cartridge Bell
- 1x Dressing Ring

\*Dimensions are nominal measurements only.

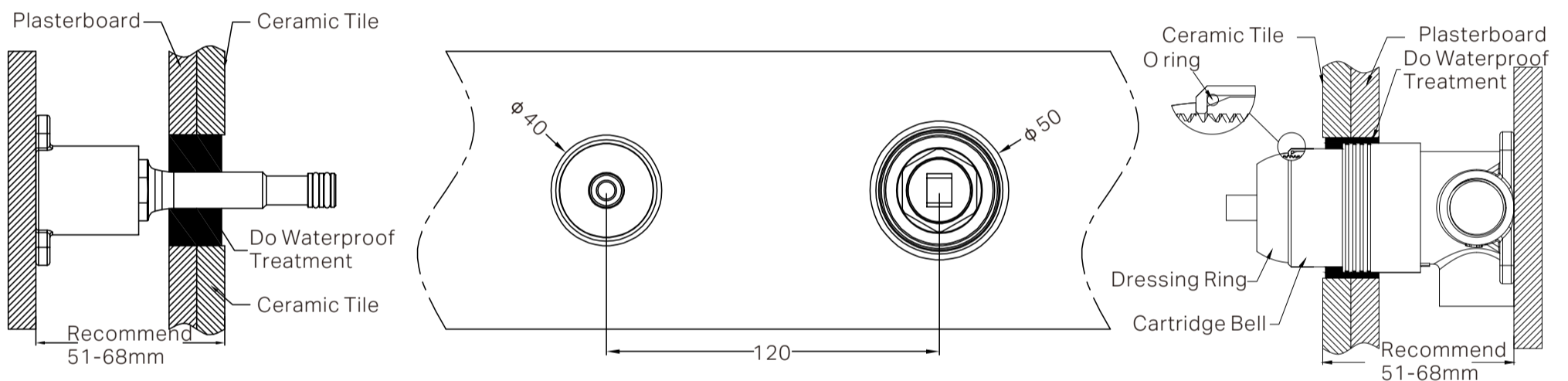
# Installation Instruction

## GENERAL INSTRUCTIONS:

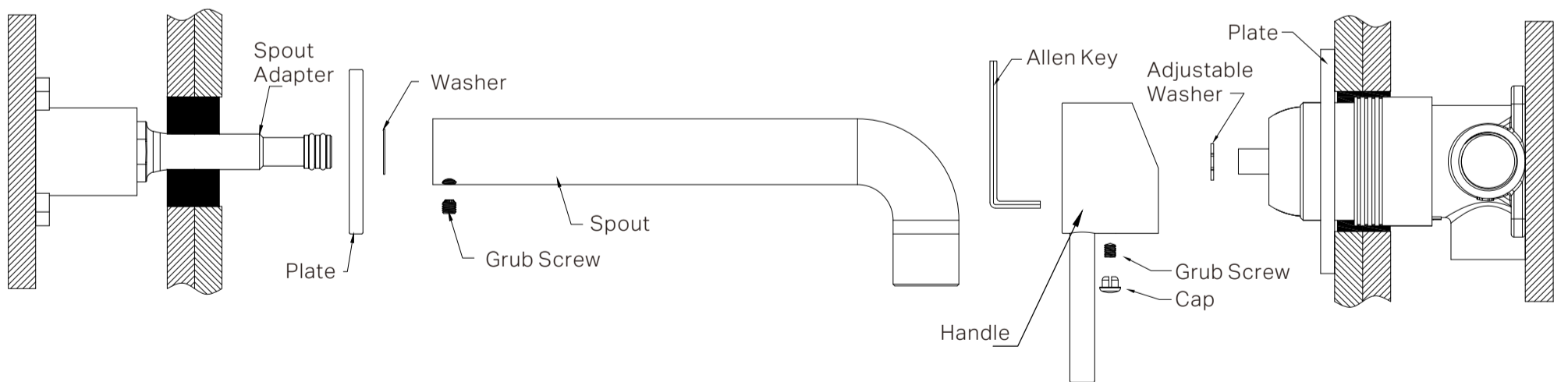
- This product must be installed by a licensed plumber. Ensure that your plumbing installation conforms to the Australian/New Zealand Standard AS/NZS 3500.
- All pipework must be thoroughly flushed prior to the installation of the mixer. In-line filters must be fitted on both hot and cold supplies to prevent foreign particles from damaging the ceramic cartridge.
- All outlets used primarily for personal hygiene must deliver water at a safe temperature in accordance with regional regulations.



1. Drill a  $\phi 50\text{mm}$  and a  $\phi 40\text{mm}$  hole in the ceramic tile, then position it as shown in the above diagram.
2. Undo the self-tapping screw to remove the plastic sleeve, and release the grub screws to remove the water testing plug.



3. Insert the O ring to the cartridge bell groove, and slide the dressing ring onto cartridge.
4. Apply waterproof treatment to the area indicated in the diagram above.
5. Tighten up the dressing ring on the cartridge bell.



6. Slide the plate and washer onto the wall, set the spout in place, and secure it tightly using the grub screw.
  7. Slide the plate onto the wall, attach the washer to the cartridge rod, position the handle, tighten it with a grub screw using an Allen key, and cap the grub screw hole.
- Please note: there is a washer between backplate and the spout.

## MAINTENANCE AND CARE:

- Regularly check the mixer and connections for signs of wear or leaks.
- Clean the tap with mild soapy water to maintain its appearance, avoiding harsh chemicals and abrasive materials that may damage the finish.

## FINAL INSPECTION:

- Ensure the tap operates smoothly and that there are no leaks at the connections.
- Clean the area and the newly installed tap with a soft cloth to remove any installation residues.

# Nero



Lead Free

