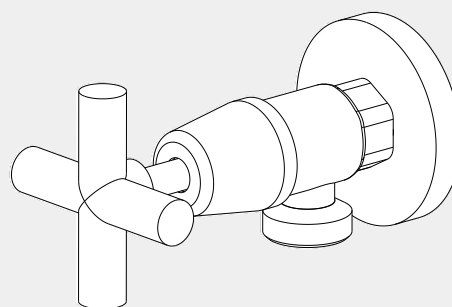
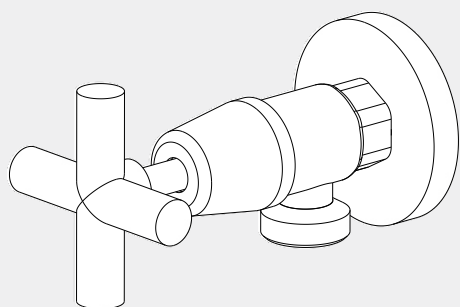


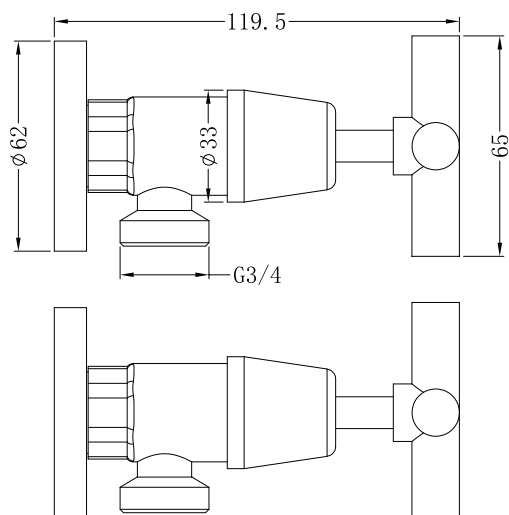
X Plus Washing Machine Stops

Nero



Versions:202401

Top/Back



Specifications

Watermark License

WM-060073

Temperature Rating

Min 1°C-Max 75°C

Pressure Rating

Min 150kpa - Max 500kpa

Finish & SKU

- Matte Black
NR201609dMB

Packaging Includes

2x Hand Wheels

*Dimensions are nominal measurements only.

1

wrench

washing machine stops

washer

plate

ceramic tile

wall

G1/2

Please fixing on G₂¹ outlet in advance as picture.

2

plate

ceramic tile

wall

G1/2

1. Put plate onto the G₂¹ outlet.

3

washer

plate

ceramic tile

wall

G1/2

1. Put washer onto the G₂¹ outlet.

4

washing machine stops

ceramic tile

wall

1. Put washing machine stops onto the G₂¹ outlet, and adjust the rotation angle of it.

Nero

info@nerotapware.com.au
nerotapware.com.au

11-13 Buontempo Road
Carrum Downs Vic 3201

