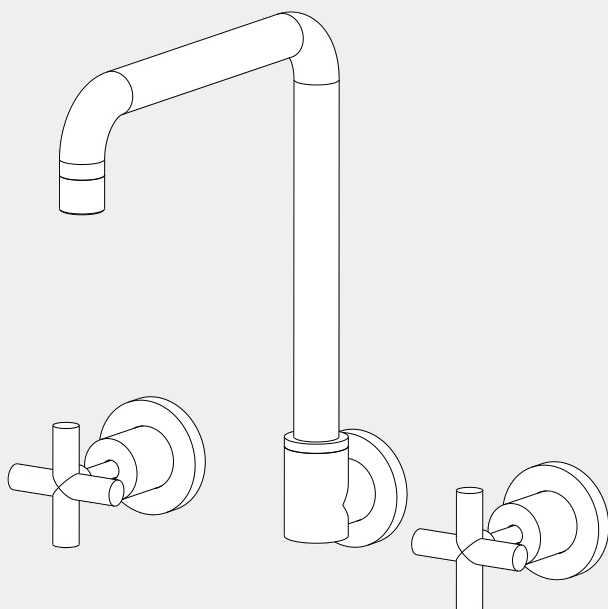


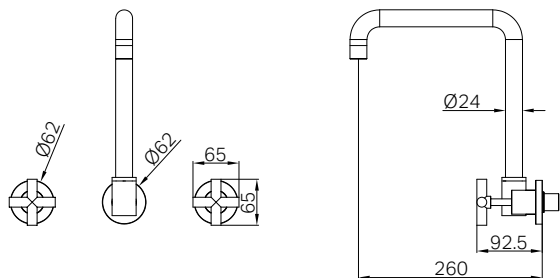
# X Plus Wall Kitchen Set Swivel Spout

# Nero



Versions:202401

## Top/Back



## Specifications

### Watermark License

WM-060073

### Temperature Rating

Min 1°C-Max 75°C

### Pressure Rating

Min 150kpa - Max 500kpa

## Finish & SKU

● Matte Black  
NR201607MB

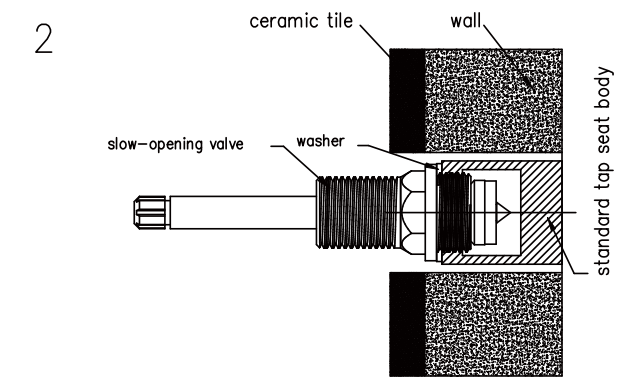
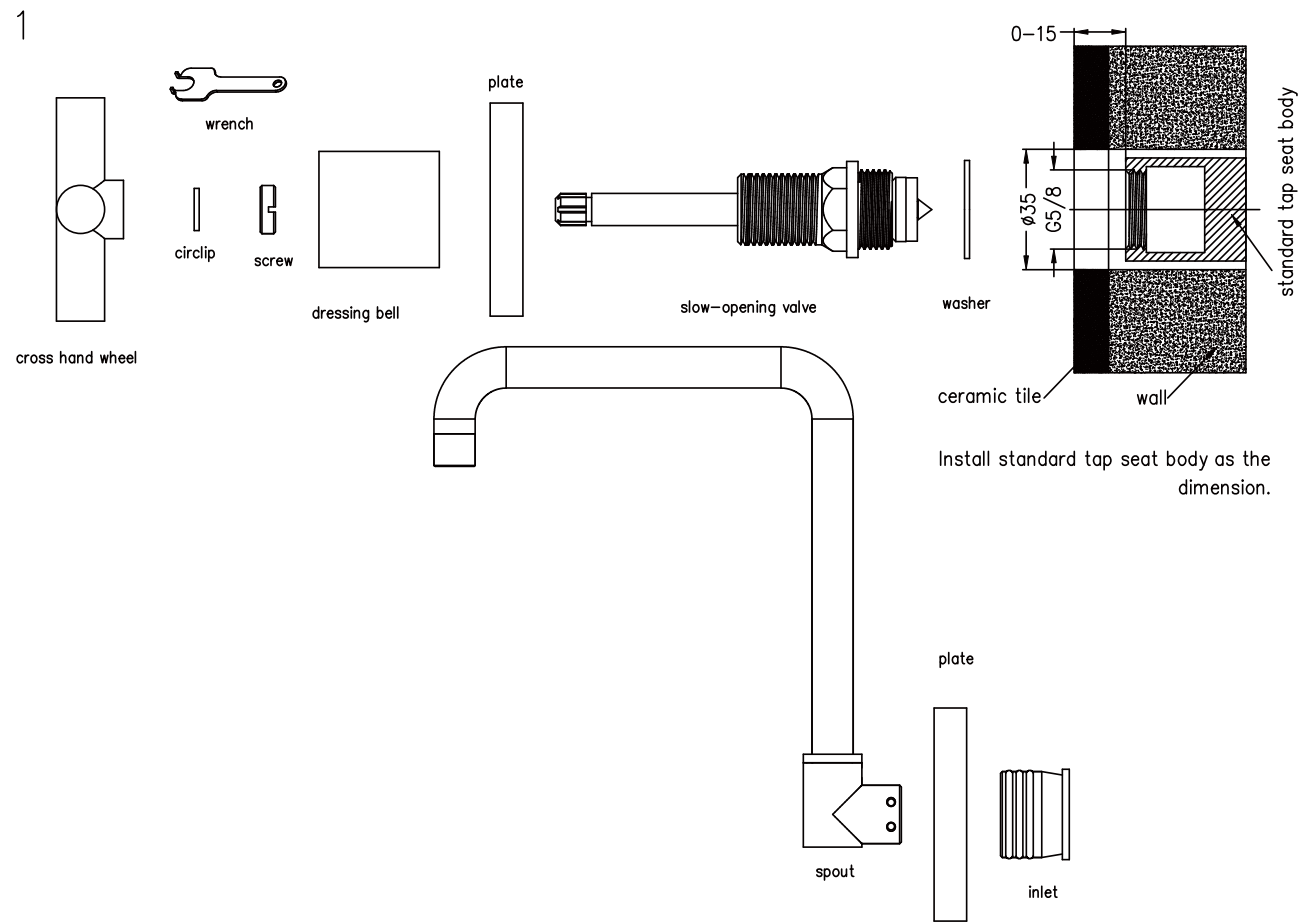
● Brushed Gold  
NR201607BG

## Packaging Includes

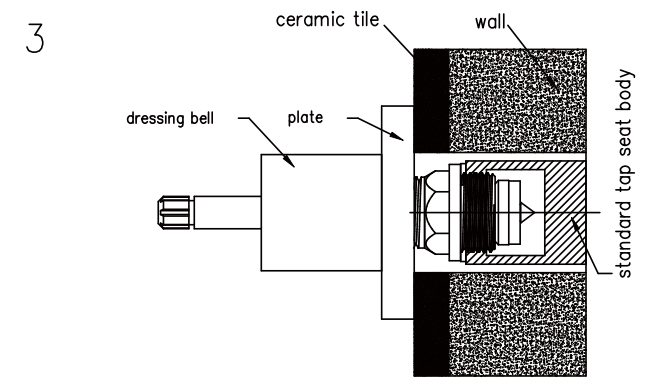
1x Spout  
2x Hand Wheels

**Note: In Wall Body/ Breech Not Included.**

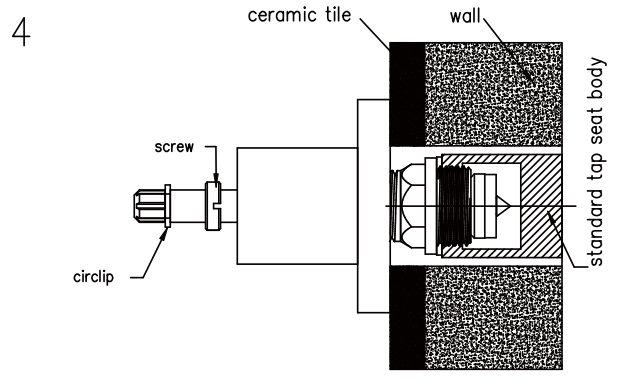
\*Dimensions are nominal measurements only.



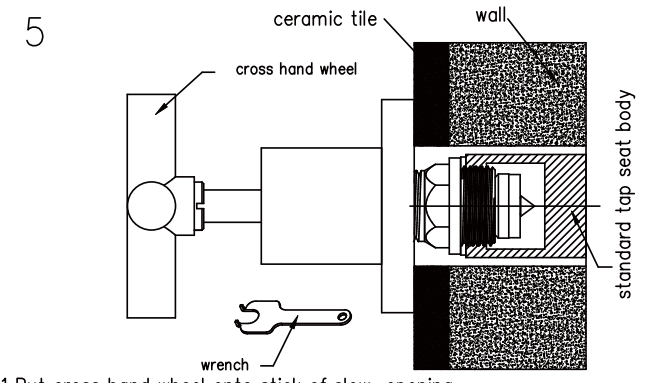
1. Put on the washer on the slow-opening valve.
2. Screw the slow-opening valve onto the body tightly.



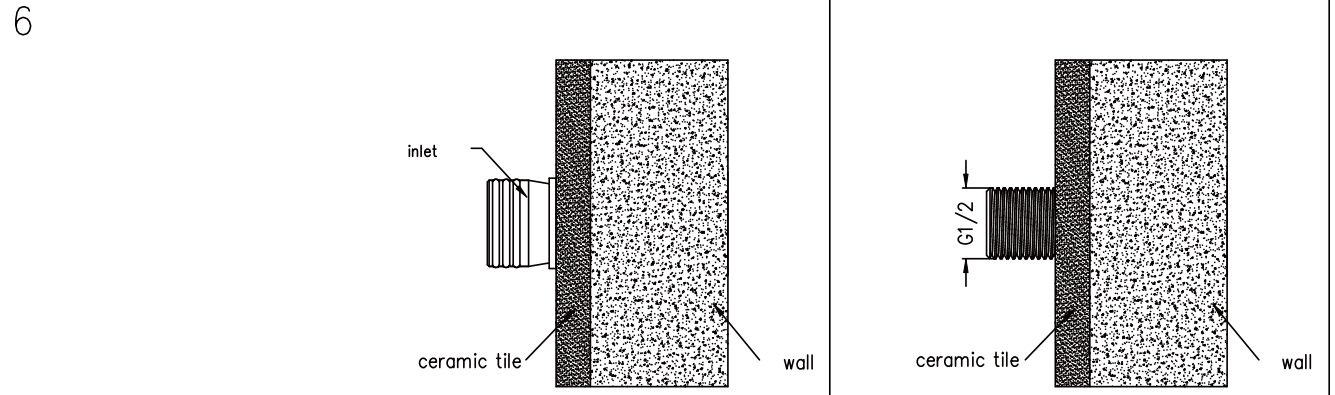
1. Put plate onto slow-opening valve.
2. Screw dressing bell tightly on the slow-opening valve.



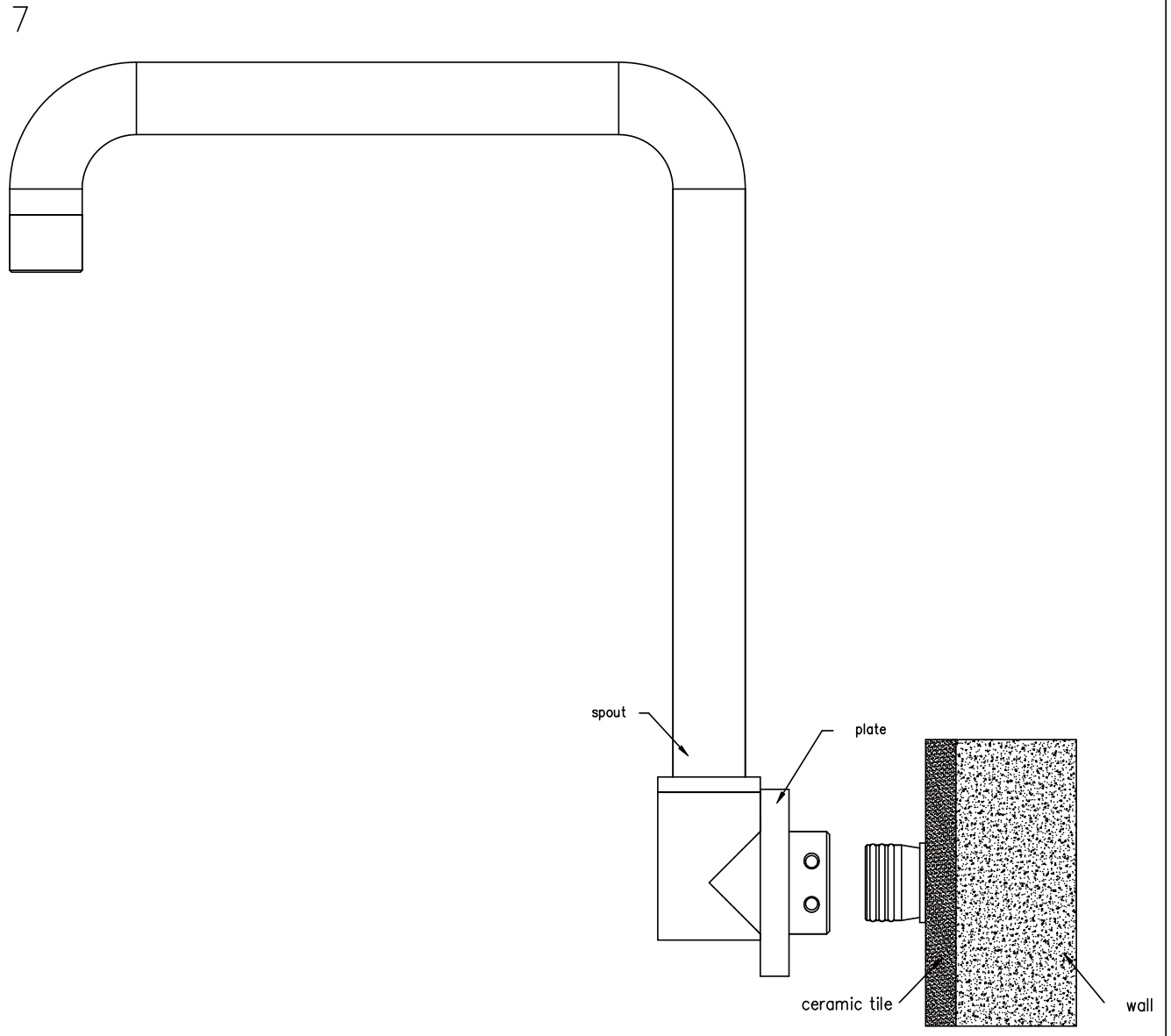
1. Put screw onto the stick of slow-opening valve.
2. Put circlip onto gap of slow-opening valve.



1. Put cross hand wheel onto stick of slow-opening valve, then adjust the rotation angle of hand wheel.
2. Use wrench to make screw into cross hand wheel, then tighten it up.



1. Screw inlet onto outlet.



1. Put plate into spout.
2. Put spout onto inlet and adjust the rotation angle of spout, then tighten two grub screws up.
3. Put plate onto the ceramic tile.

# Nero

info@nerotapware.com.au  
nerotapware.com.au

11-13 Buontempo Road  
Carrum Downs Vic 3201

