

Project 35mm universal shower mixer with diverter body

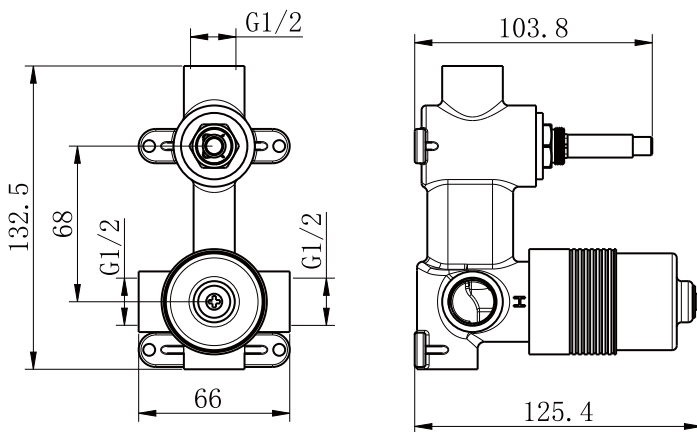


SPECIFICATION

SKU	NRUB003P
WATERMARK LICENSE	WM-060073
TEMPERATURE RATING	MIN 1°C-MAX 75°C
PRESSURE RATING	MIN 150KPa-MAX 500KPa

PACKING INCLUDES

- 1x mixer body



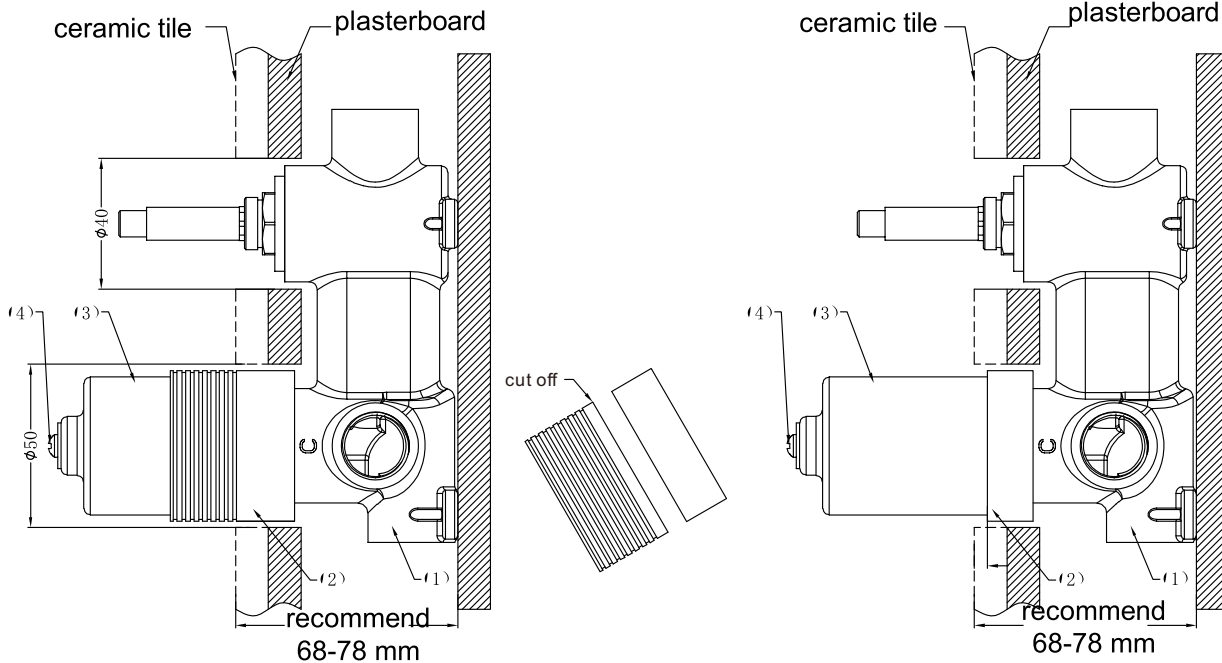
Dimensions are nominal measurements only.

Notes: Only Compatible for use with all Bianca and Mecca / Shower Mixers



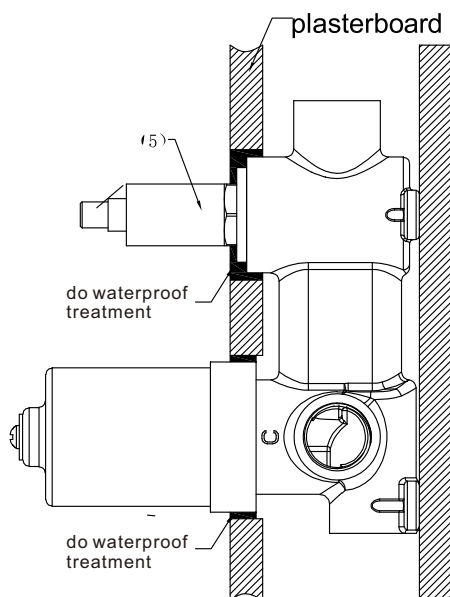
WaterMark
AS/NZS 3718
WM-060073

Installation Instruction For Body

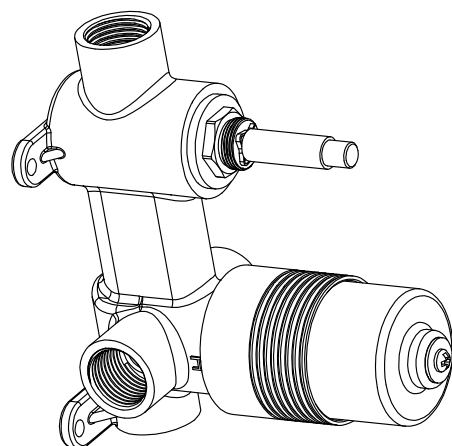


1. Fix body (1) on noggin and ensure installation depth is 68-78mm from noggin to ceramic tile surface .
Caution: Do not take off plastic sleeve on body.
2. Connect cold water hose and hot water hose and conduct water pressure test for leak.
3. Install plasterboard after drilling a $\phi 50$ and a $\phi 40$ hole according to above picture.

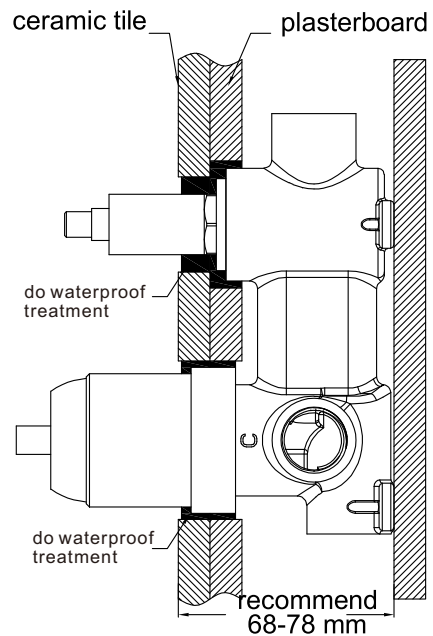
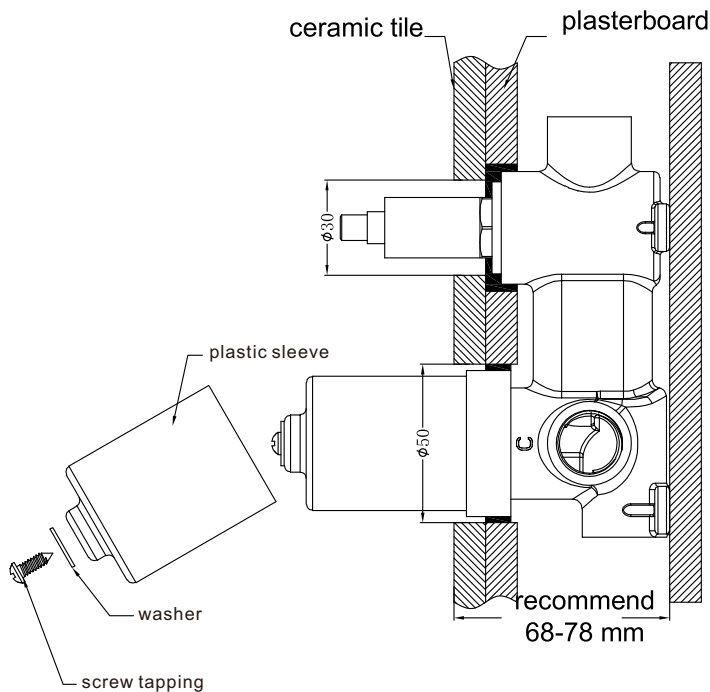
4. When the installation depth is 68-70mm, make a mark on plastic sleeve (2) at 2-4cm from ceramic tile surface to body.
when the installation depth is 71-78mm, make a mark on plastic sleeve (2) at 4-7cm from ceramic tile surface to body.
5. Remove self-tapping screw, washer and plastic sleeve, and cut off the plastic sleeve from the mark.
6. Install self-tapping screw, washer and plastic sleeve successively.



7. Install sleeve onto diverter , do waterproof treatment for gap of plasterboard and body.

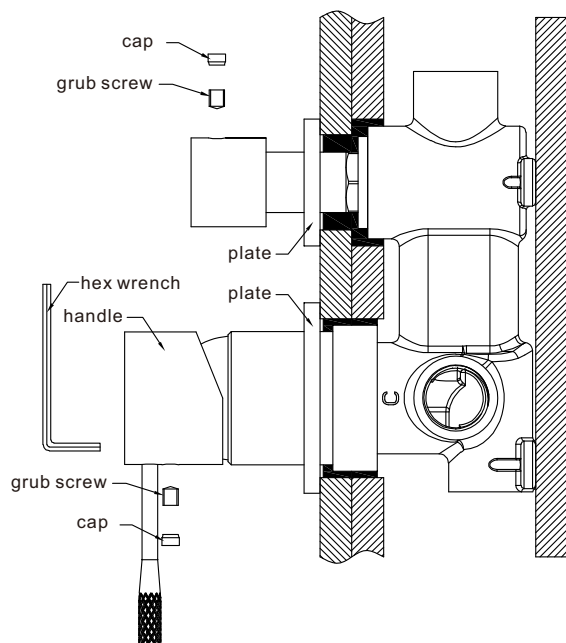


Installation Instruction For Trim Kits



1. Install ceramic tile after drilling a $\phi 50$ and a $\phi 30$ hole according to above picture.
2. Take off self-tapping screw, washer, plastic sleeve.

3. Put on cartridge bell and sleeve .
4. Screw on dressing ring.
5. Do waterproof treatment for gap between ceramic tile and cartridge bell ,sleeve .



6. Put plates onto body.
7. Put washer onto cartridge stick, install handle, tighten grub screw of handle firmly by hex wrench, put cap into handle.
8. Put knob onto diverter cartridge, tighten grub screw of knob firmly by hex wrench, put cap into knob.