


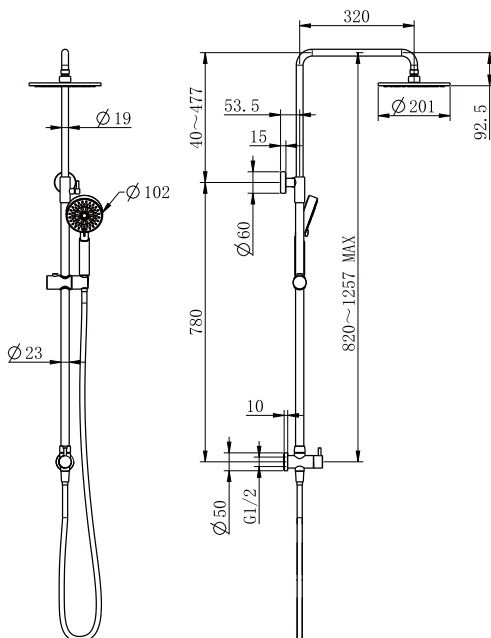
Dolce Round Shower Set Bottom Inlet

SPECIFICATION

OVERHAND SHOWER WELS RATING	3 STAR 8L/MIN
HAND SHOWER WELS RATING	NOT STAR RATED 5.5L/MIN
WATERMARK LICENSE	WM-060093
TEMPERATURE RATING	MIN 1°C-MAX 75°C
PRESSURE RATING	MIN 150KPa-MAX 500KPa

FINISH

	CHROME
	NR280705cbCH



Dimensions are nominal measurements only.

MAINTENANCE AND CARE

All surfaces should be cleaned with mild liquid detergent or soap and water.

Do not use cream cleaners or citrus based cleaning products, as they are abrasive.

Use of unsuitable cleaning agents may damage the surface. Any damage caused in this way will not be covered by warranty.

PACKING INCLUDES

- 1x shower rail
- 1x thread adapter
- 1x shower head
- 1x handheld shower
- 1x handheld shower holder
- 1x shower hose
- 1x bracket
- 1x installation kit



Versions: V1

Installation Instruction

