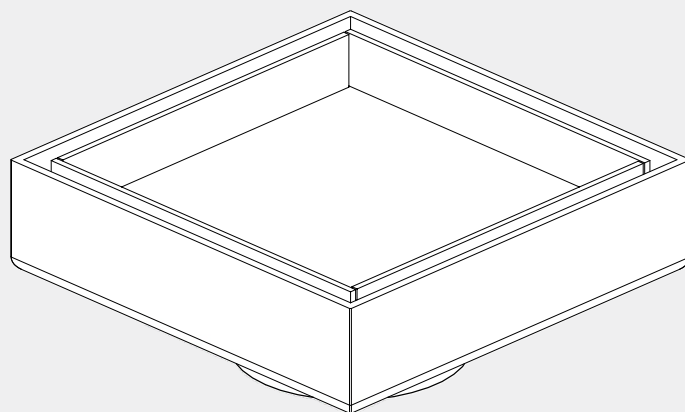


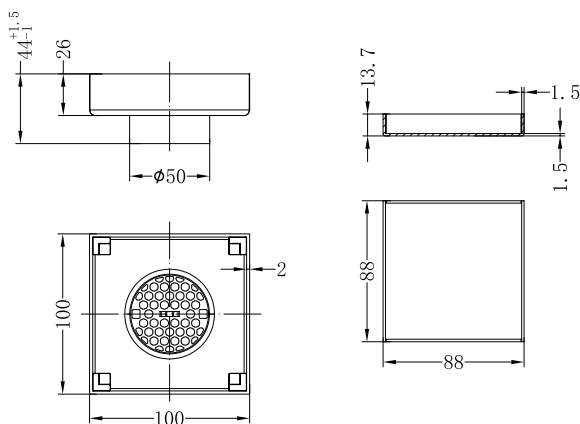
# 100mm Square Tile Insert Floor Waste 50mm Outlet

# Nero



Versions:202311

## Drawing








## Specifications

**SKU**  
NRFW006  
**Watermark License**  
WM-032203

## Packaging Includes

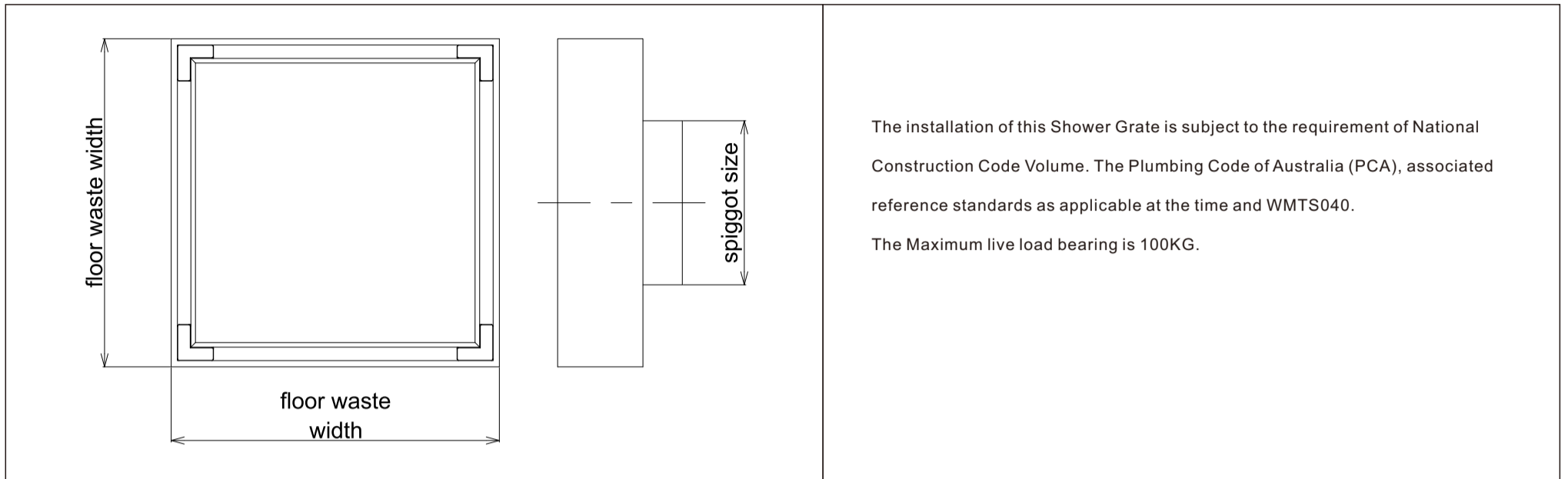
1 x floor waste

## Finish

- |  |  |  |
|--|--|--|
|  <b>Brushed Nickel</b><br>NRFW006BN |  <b>Gun Metal</b><br>NRFW006GM    |  <b>Brushed Bronze</b><br>NRFW006BZ |
|  <b>Matte Black</b><br>NRFW006MB    |  <b>Brushed Gold</b><br>NRFW006BG |  |

\*Dimensions are nominal measurements only.

# Installation Instruction

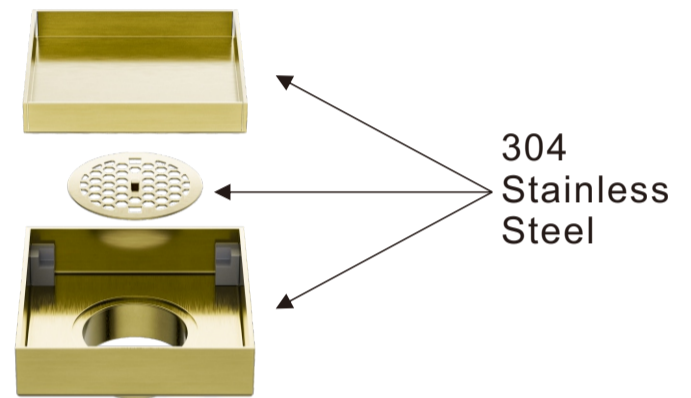


The installation of this Shower Grate is subject to the requirement of National Construction Code Volume. The Plumbing Code of Australia (PCA), associated reference standards as applicable at the time and WMTS040.

The Maximum live load bearing is 100KG.

Floor Waste Width	Spigot Size	Nominal OD Floor Waste Pipe
100mm	50mm	50mm PVC

NOTES:



**1**

1. Cut grate to suit floor waste allowing at least 3mm of clearance in overall length to facilitate removal for cleaning.

**2**

2. Install floor waste as above picture. Note: it can be installed 2 ways: tile insert placement and normal placement.

# Nero

[info@nerotapware.com.au](mailto:info@nerotapware.com.au)  
[nerotapware.com.au](http://nerotapware.com.au)

11-13 Buontempo Road  
Carrum Downs Vic 3201

