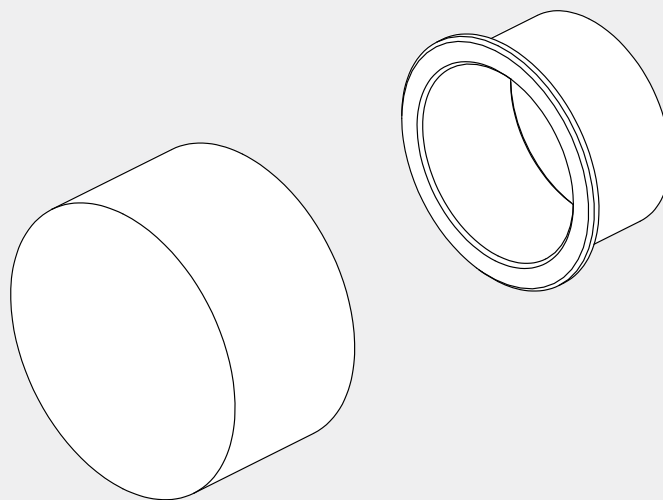


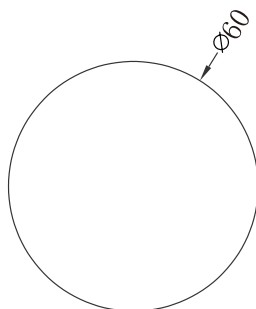
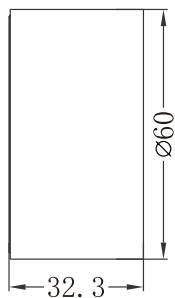
Kara Progressive Shower Mixer Trim Kits Only

Nero



Versions:202311

Top/Back



Specifications

SKU

NR271909t

Watermark License

WM-060073


Temperature Rating

Min 1°C-Max 75°C


Pressure Rating

Min 150kpa - Max 500kpa


Finish


 Chrome
NR271909tCH

 Gun Metal
NR271909tGM

 Brushed Bronze
NR271909tBZ

 Matte Black
NR271909tMB

 Brushed Gold
NR271909tBG

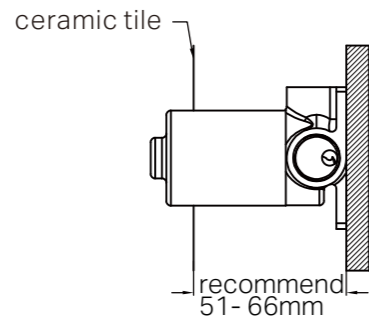
 Brushed Nickel
NR271909tBN

Packaging Includes

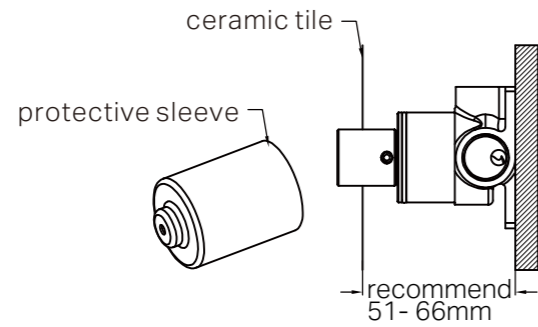
1x hand wheel
1x cartridge bell

*Dimensions are nominal measurements only.

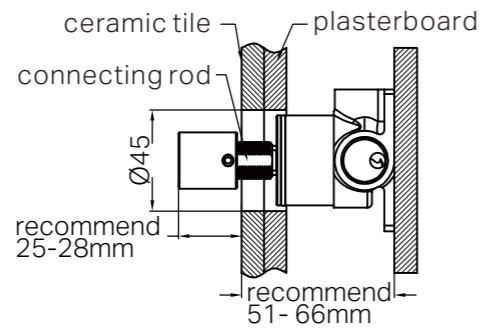
Installation Instruction For Body



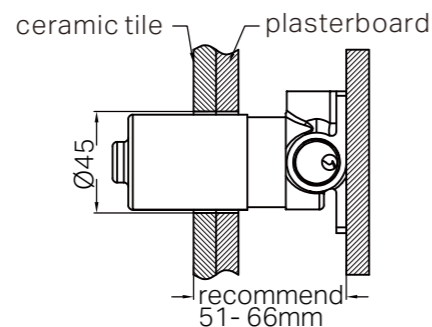
1. Fix body on nogging and ensure installation depth is 51-66mm from nogging to ceramic tile.



2. Take off protective sleeve.

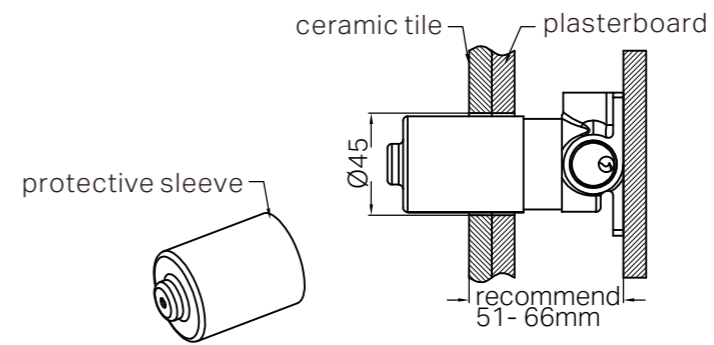


3. Adjust connecting rod and ensure depth is 25-28mm from the front of adaptor to ceramic tile. Drill a $\phi 45$ hole on plasterboard and ceramic tile for the body, according to above picture. Then install plasterboard and do waterproof for the whole plasterboard. Install ceramic tile.

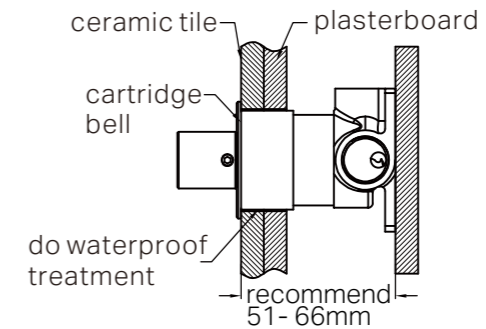


4. Install protective sleeve back to the body.

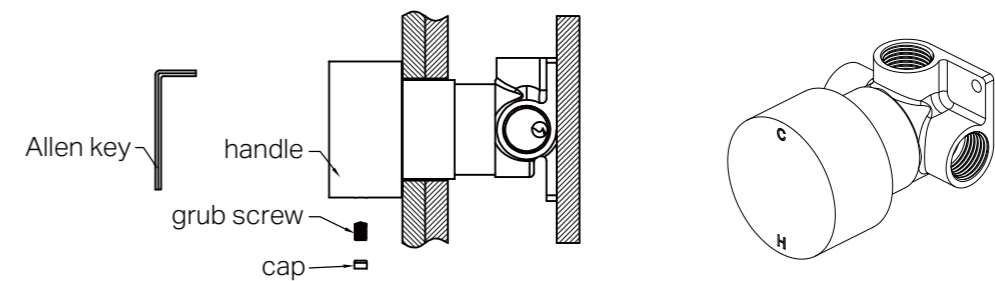
Installation Instruction For Trim Kits



1. Remove protective sleeve.



2. Put cartridge bell onto body and do waterproof treatment for the gap between cartridge bell and plasterboard and ceramic tile.



3. Make hand wheel into connecting rod, turn the hand wheel counterclockwise to the end. Then reinstall the hand wheel, make the "C" should be on twelve o'clock direction and "H" on the six o'clock direction, according to above picture. Then tighten grub screw of hand wheel by allen key, put cap into hand wheel.

Nero

