

CCAS0628-0000411N0

## Vessel

### Recommended use

Domestic, hotel and commercial

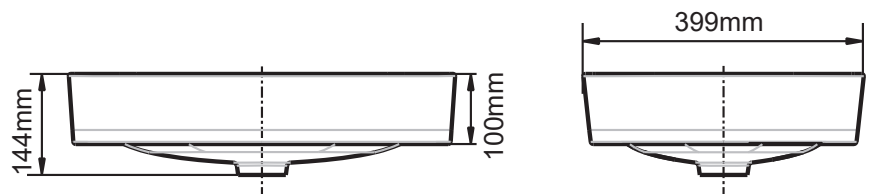
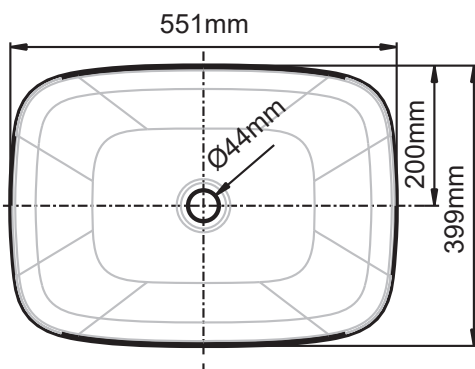
### KEY SPECIFICATIONS

- Finish: White
- Integral overflow: No
- Fixing: Sealed to bench top
- Tap hole: NTH
- Plug and waste: Suits 32 x 40mm waste (not included)
- Template: Supplied with product
- Warranty: 10 years



### FEATURES

- Material: Vitreous china
- Overall dimensions (mm): L551xW399xH144mm
- Design: Thin edge



### SHIPPING WEIGHT

- Gross Weight: 13kg