

CCASF613-1010410R0

## Square Counter Basin

**Recommended use** Domestic, hotel and commercial

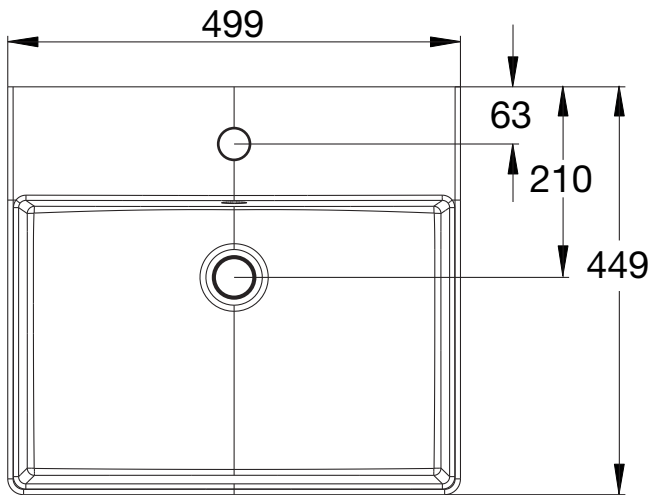
### KEY SPECIFICATIONS

- Finish: White
- Integral overflow: Yes
- Fixing: Sealed to bench top
- Tap hole: 1TH
- Plug and waste: Suits 32 x 40mm overflow waste (not included)
- Template: Supplied with product
- Warranty: 10 years



### FEATURES

- Material: Fine Fire Clay
- Overall dimensions (mm): L499xW449xH150
- Design: Thin edge



### SHIPPING WEIGHT

- Gross Weight: 16kg