

FFAS0930-000500BC0

Thermostatic mixer

Recommended use

Domestic, hotel and commercial

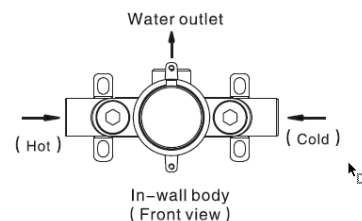
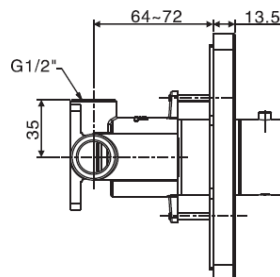
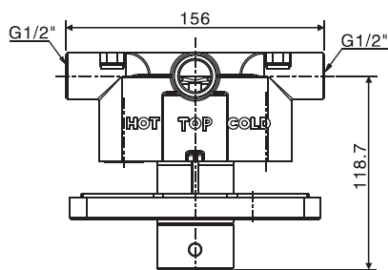
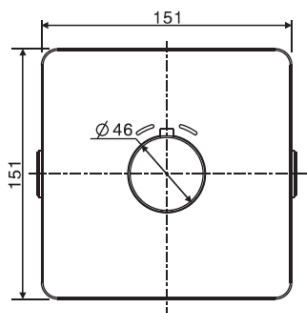
KEY SPECIFICATIONS

- Finish: Chrome
 - Recommended pressure range: 150 - 500kPa
 - Max continuous working pressure: 500kPa
 - Max continuous working temperature: 50 degrees Celsius
 - Suitable for storage tank hot water: Yes
 - Suitable for continuous flow hot water: Yes
 - Suitable for gravity feed hot water: No
- Hot and cold water inlet pressure should be equal*



WARRANTY

- Domestic use - 10 years
- Spare parts & labour - 12 months



flow rate (L/min)

