

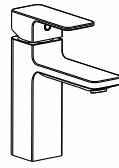
To ensure that your installation proceeds smoothly,  
please read this instructions carefully before you begin.

*American Standard*

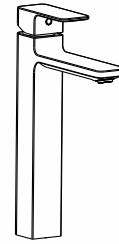
## CYGNET

FFAS1301-102500ZNO  
CYGNET BASIN MIXER CHROME (4\*)

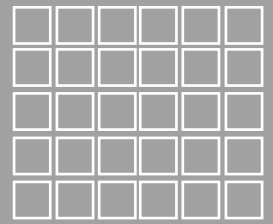
FFAS1302-102500ZNO  
CYGNET EXT BASIN MIXER CP (4\*)



FFAS1301-102500ZNO



FFAS1302-102500ZNO

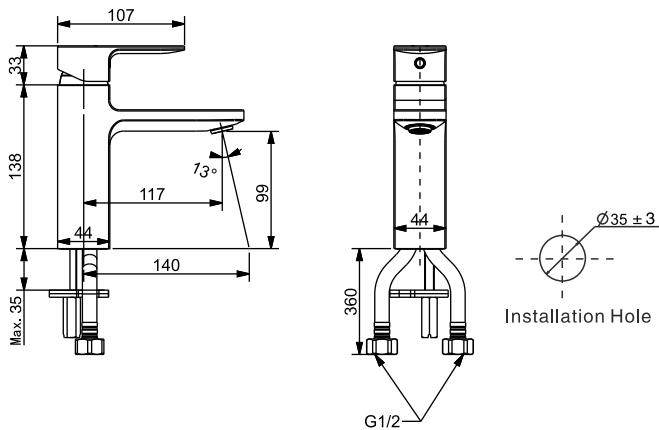


Installation &  
Operation Instruction

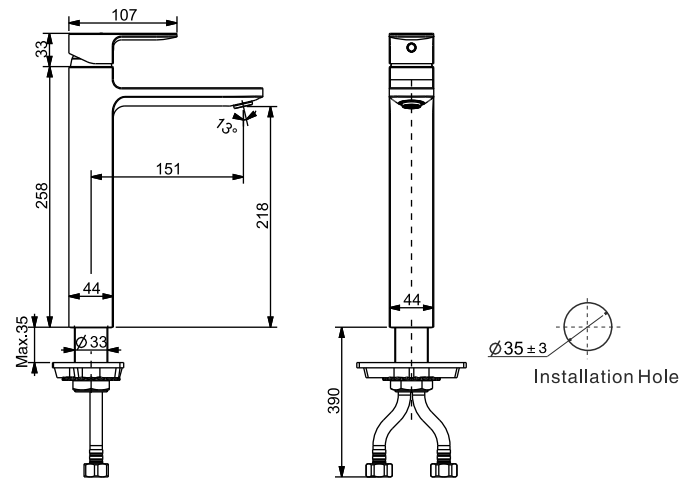
## Dimension

Unit: mm

FFAS1301-102500ZNO

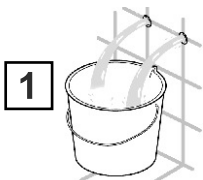


FFAS1302-102500ZNO

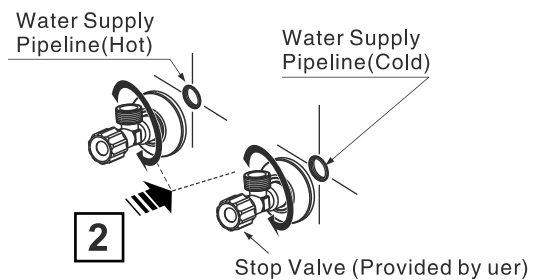


## Installation

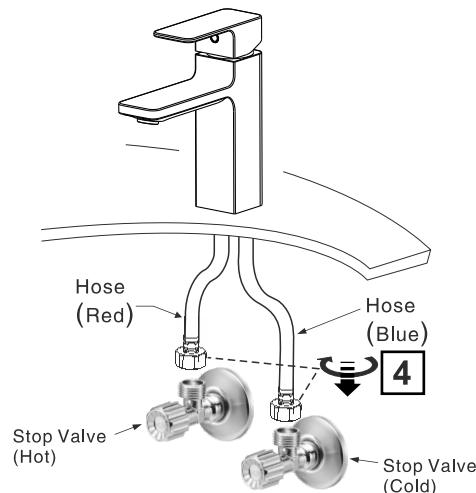
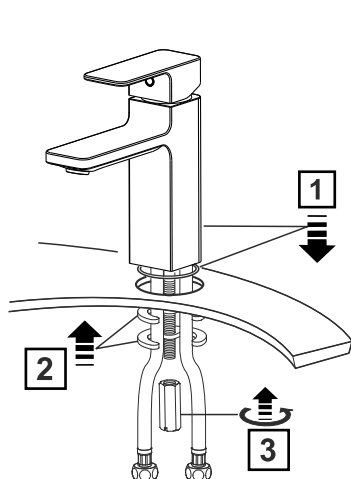
### 1 Preparation



- \* Consult the dimension drawing and lay the pipes.
- \* Wash and clean the water supply pipeline.

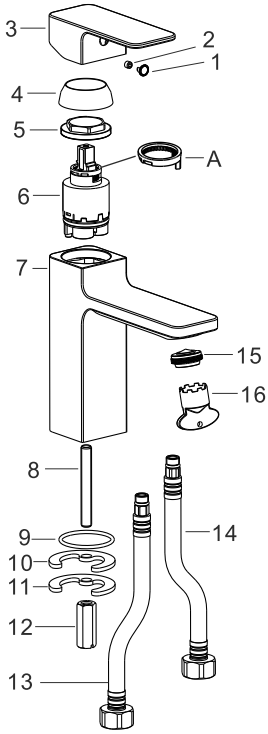


### 2 Faucet Installation



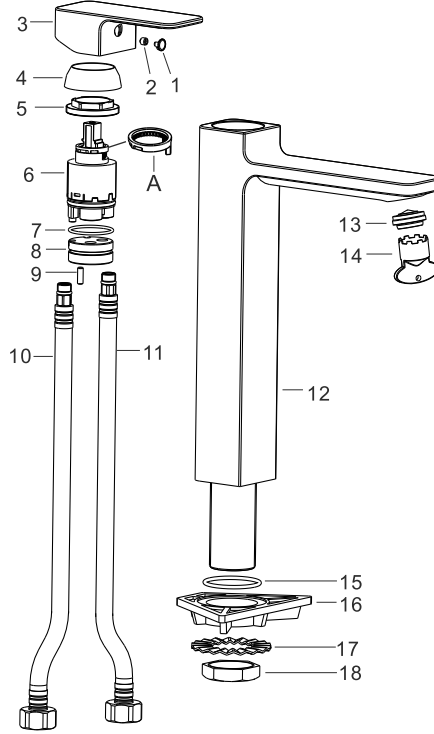
# Parts List

FFAS1301-102500ZNO



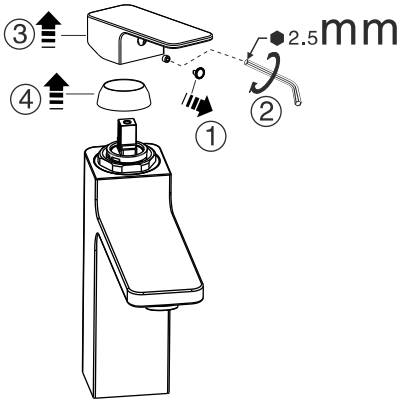
No.	Part Name	Q'ty
1	Index button	1
2	Screw	1
3	Handle	1
4	Cap	1
5	Nut	1
6	Cartridge	1
7	Body	1
8	Shank	1
9	Washer	1
10	Washer	1
11	Washer	1
12	Nut	1
13	Hose ( Red )	1
14	Hose ( Blue )	1
15	Aerator	1
16	Wrench	1
A	Temperature limiter	1

FFAS1302-102500ZNO

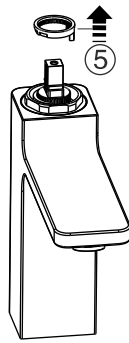


No.	Part Name	Q'ty
1	Index button	1
2	Screw	1
3	Handle	1
4	Cap	1
5	Nut	1
6	Cartridge	1
7	O-Ring	1
8	Seat	1
9	pin	1
10	Hose ( Red )	1
11	Hose ( Blue )	1
12	Body	1
13	Aerator	1
14	Wrench	1
15	Washer	1
16	Holder	1
17	Washer	1
18	Nut	1
A	Temperature limiter	1

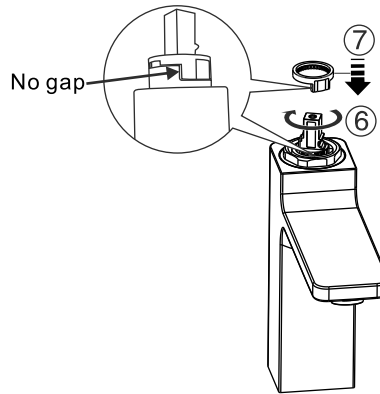
## Operation instruction for temperature Limiter



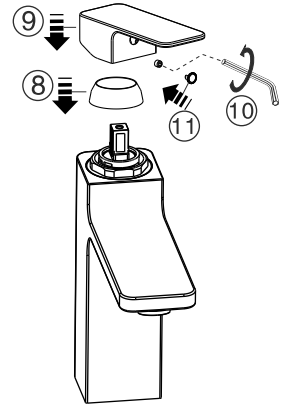
\* Remove the handle and cover, you can see the cartridge.



\* Take out the temperature limiter.



\* Move the pivot of cartridge to the position of you wanted hot water temperature. Reinstall the temperature limiter with no gap as shown in the figure above.



\* Install cap and handle.

## Notice

- \* Remove all impurity in pipes before beginning to avoid clogging. Connect faucet pipes correctly.
- \* Check installation distances in the Dimension diagram to ensure correct installation.
- \* When in the process of installation, Please grab the body. Do not grab handle only.

### Conditions for use

- \* Recommended water pressure condition: 0.1~0.5Mpa.
- \* Environment Temperature: 1~55°C
- \* Water temperature: 4 ~ 90°C, Recommended hot water temperature 55°C ~ 65°C
- \* Steam is not allowed to use.
- \* The cold and hot water pipes must not be reserved.

**AUS**

Reece Australia Pty Ltd  
118 Burwood Hwy  
Burwood VIC 3125

Tel.: 1800 080 055

Email: [customercare@reece.com.au](mailto:customercare@reece.com.au)



**NZ**

Robertson  
25 Vestey Drive  
Mt Wellington, Auckland

Tel.: +64 9 5730490

Email: [sales@robertson.co.nz](mailto:sales@robertson.co.nz)