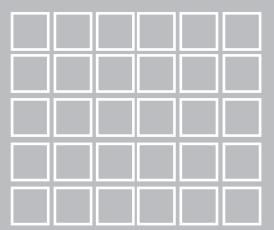
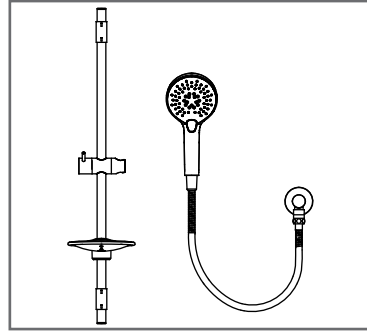


To ensure that your installation proceeds smoothly,
please read this instructions carefully before you begin.

American Standard

FFAS9A16-000500BN0

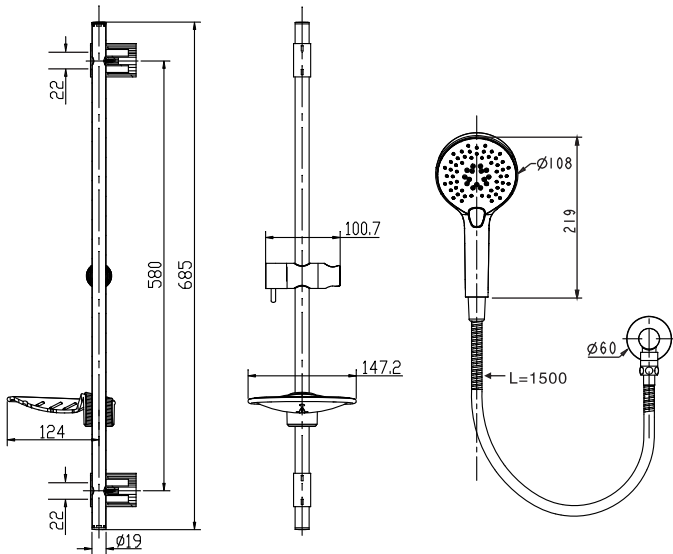
Cygnets Rail Shower 3 Function – Round



Installation &
Operation Instruction

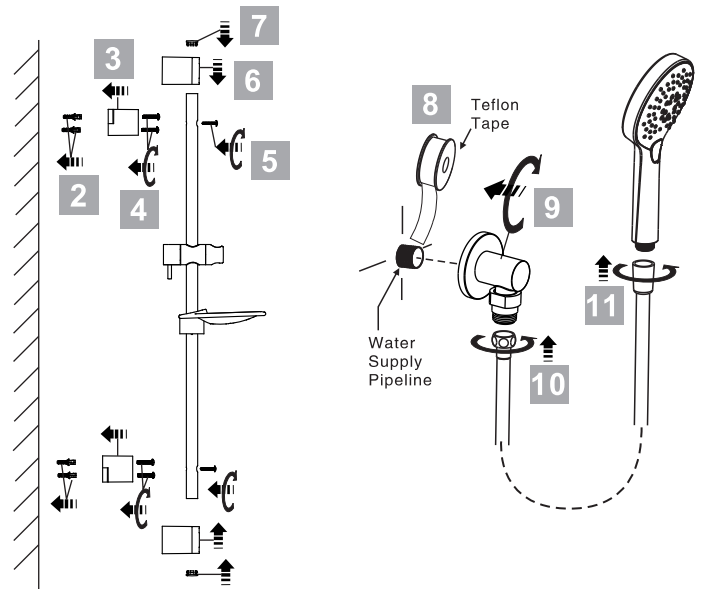
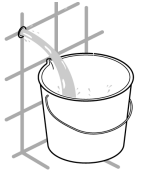
Dimension

Unit: mm

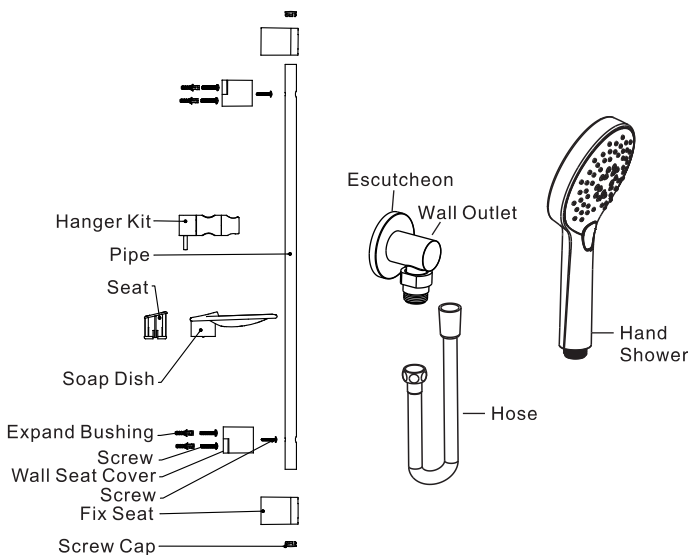


Installation

- 1 * Consult the dimension drawing and lay the pipes.
* Wash and clean the water supply pipeline.



Parts List



Notice

Remove all impurity in pipes before beginning to avoid clogging.
When you repair the product you will need to shut off hot/cold water supply
by closing the water supply.

Conditions for use

- * Water pressure condition: 0.1MPa~0.75MPa
- * Environment Temperature: 1°C~55°C
- * Not for use as a steam outlet.

Cleaning the surface

- * Rinse the product with clean water.
- * Dry with soft cotton flannel cloth.
- * Do not clean the product with acid, polish, abrasives, harsh cleaners,
or cloth with a harsh surface as these products may damage the finish.

AUS

Reece Australia Pty Ltd
118 Burwood Hwy
Burwood VIC 3125
Tel.: 1800 080 055
Email: customercare@reece.com.au



NZ

Robertson
25 Vestey Drive
Mt Wellington, Auckland
Tel.: +64 9 5730490
Email: sales@robertson.co.nz