

CLOSE COUPLE TOILET

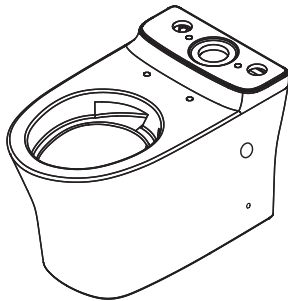
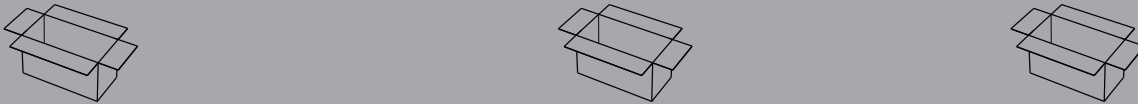
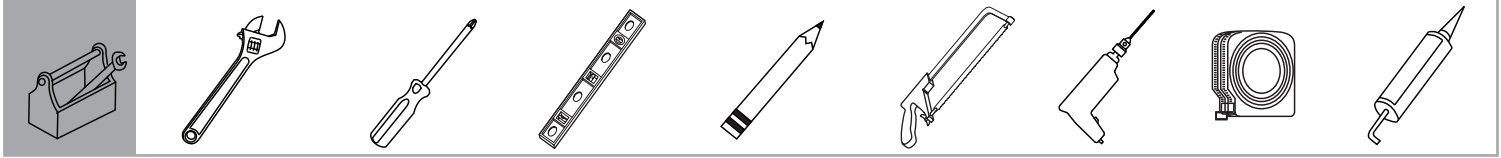
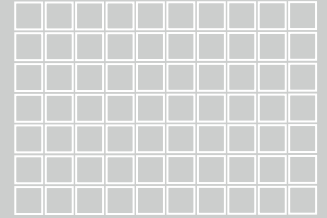
Signature CC BTW

Installation Manual

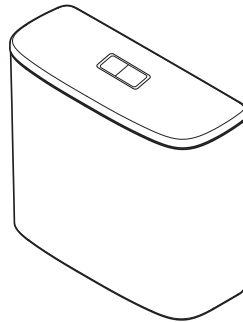
3322 / 4322 Bottom Inlet



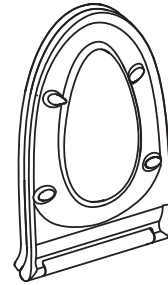
American Standard



x1



x1



x1



x1



x1



x1



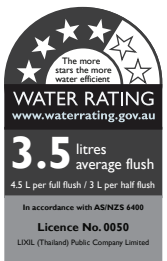
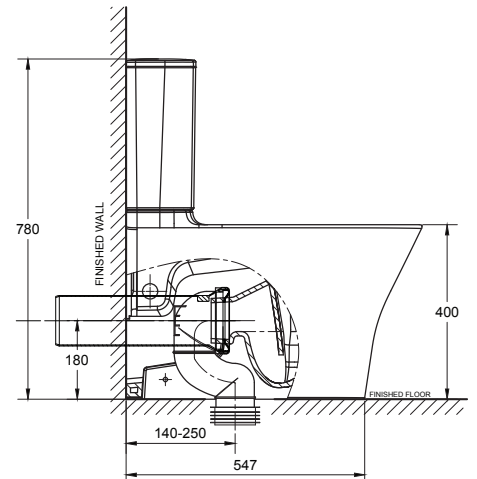
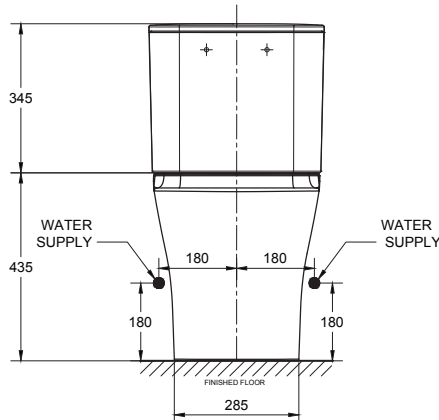
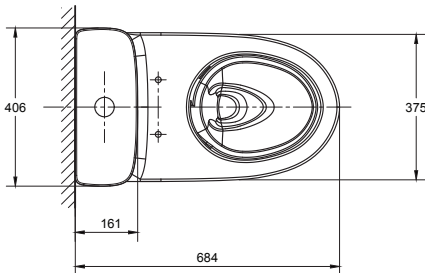
x1

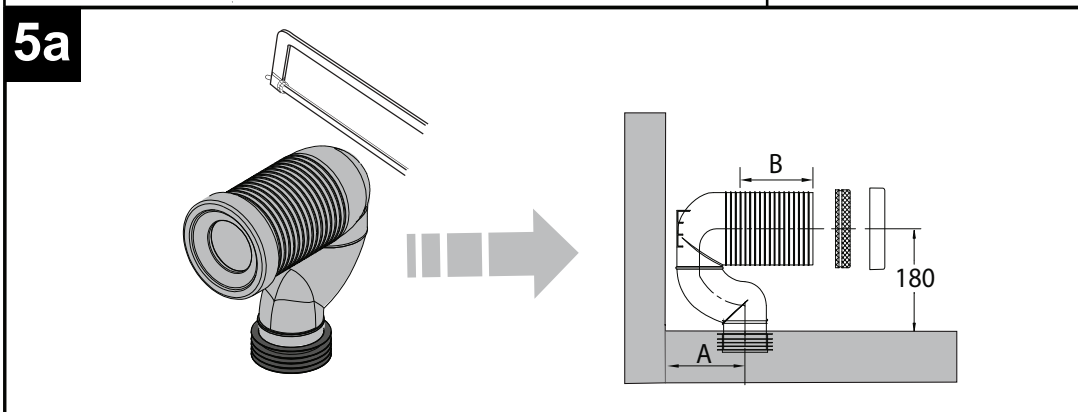
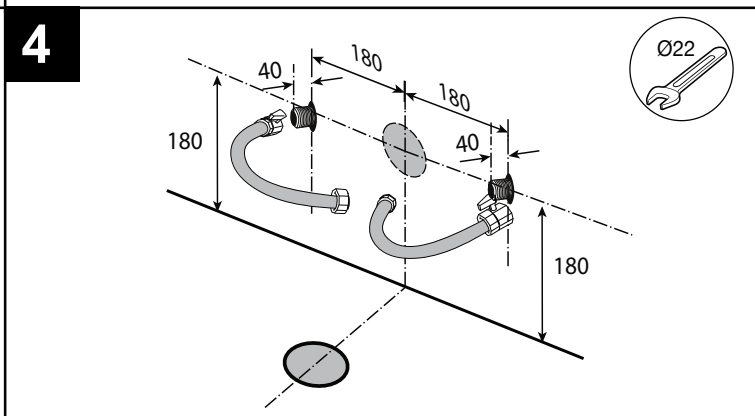
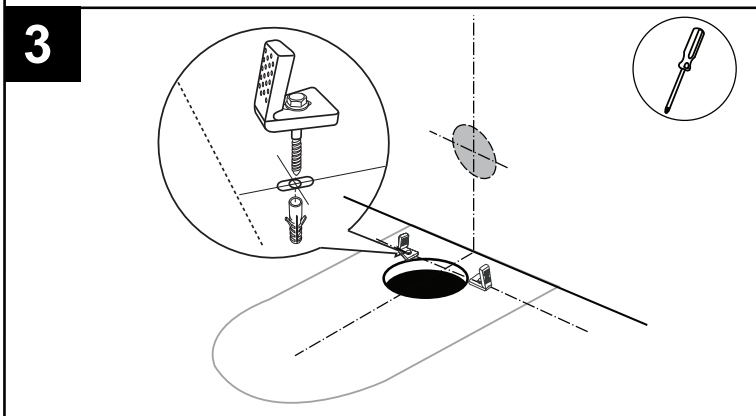
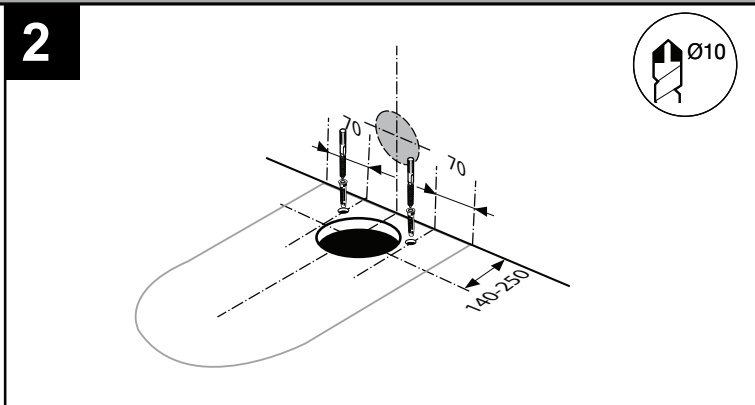
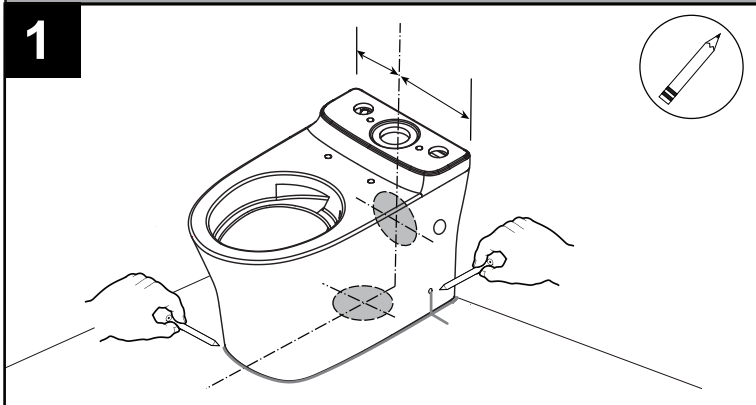


x1

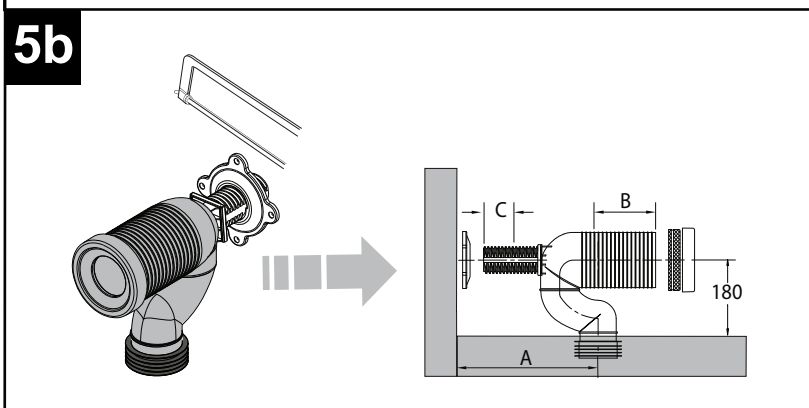


x1

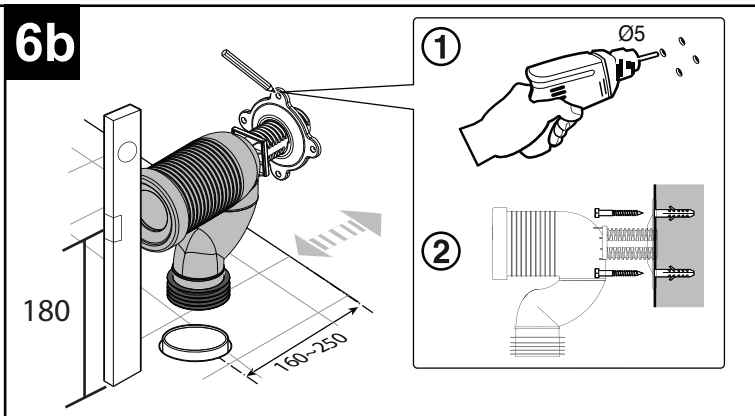
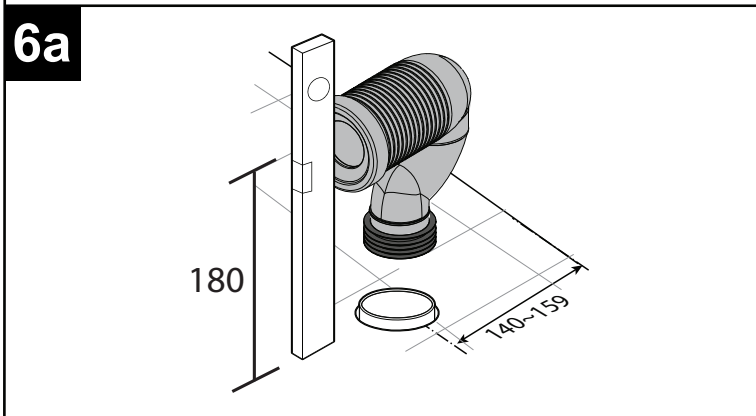




ROUGHING - IN (A)	CONNECTOR CUTOUT (B)
140-150 mm.	50 mm.
151-159 mm.	60 mm.

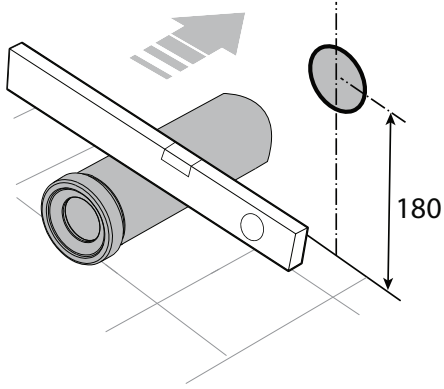


ROUGHING - IN (A)	CONNECTOR CUTOUT (B)	ROUGHING-IN (A)	CONNECTOR CUTOUT (B)
160-170 mm.	70 mm.	211-220 mm.	120 mm.
171-180 mm.	80 mm.	221-230 mm.	130 mm.
181-190 mm.	90 mm.	231-250 mm.	150 mm.
191-200 mm.	100 mm.		
201-210 mm.	110 mm.		C=116 - (A-160)

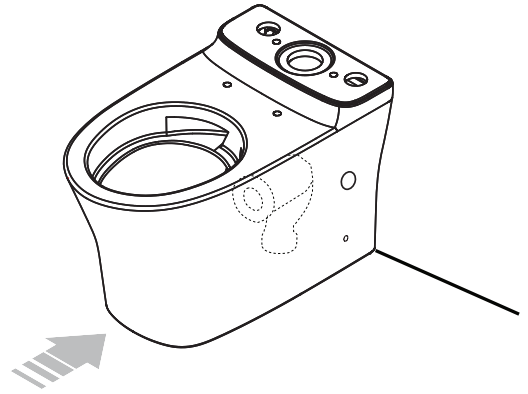




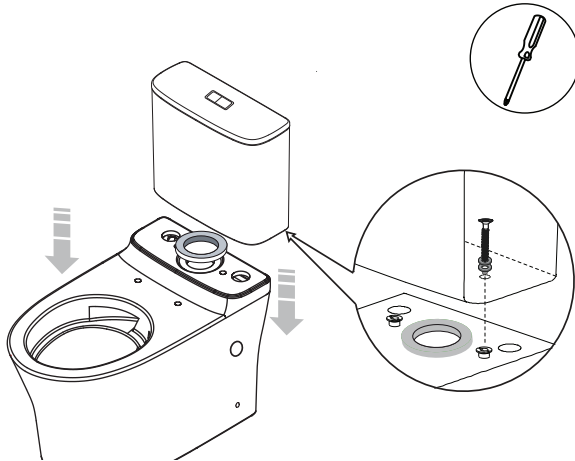
7



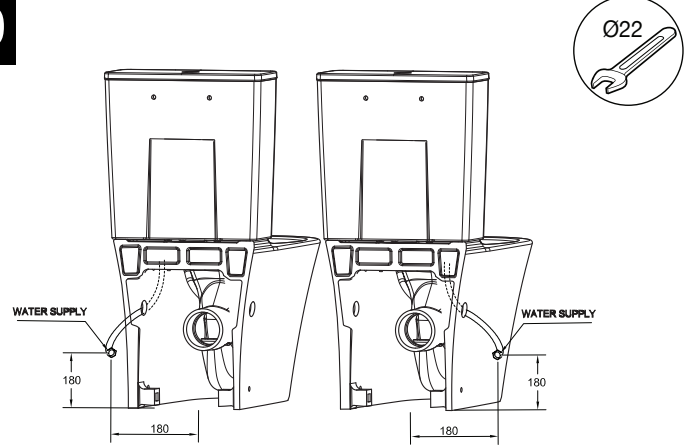
8



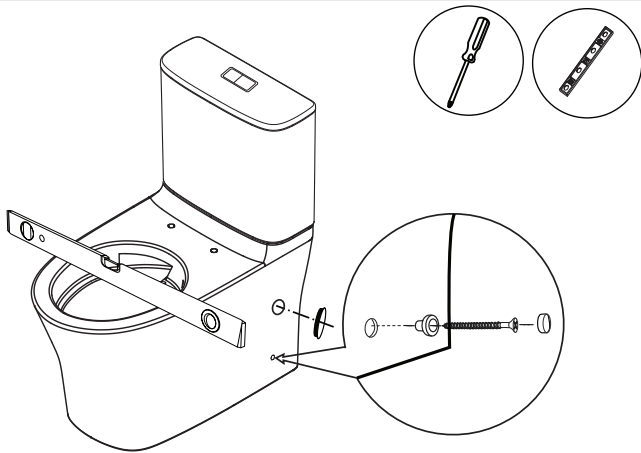
9



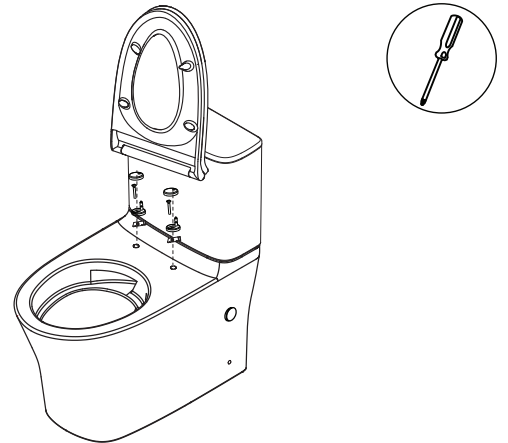
10



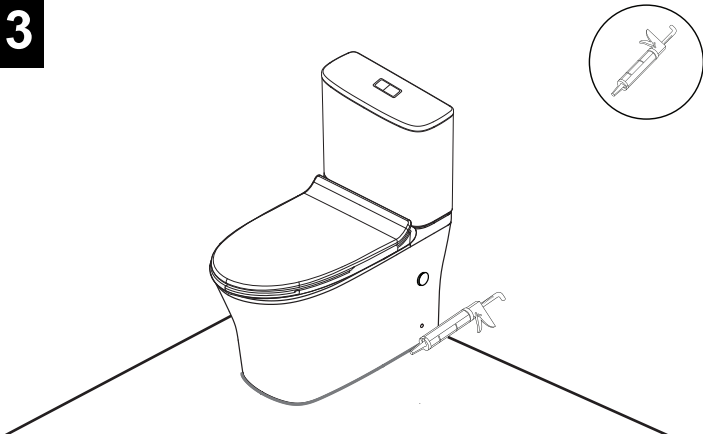
11



12



13



14

IMPORTANT

Before turning on water supply check:

1. Cistern is installed properly
2. All moving components operate freely
3. All couplings are tightened correctly

Now fill cistern and recheck water level:

4. Check carefully for leaks
5. Test the cistern flushes