

# CLOSE COUPLE TOILET

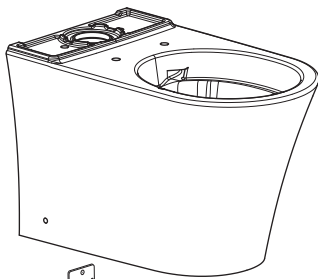
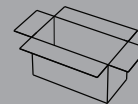
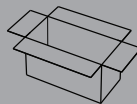
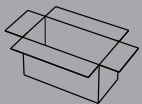
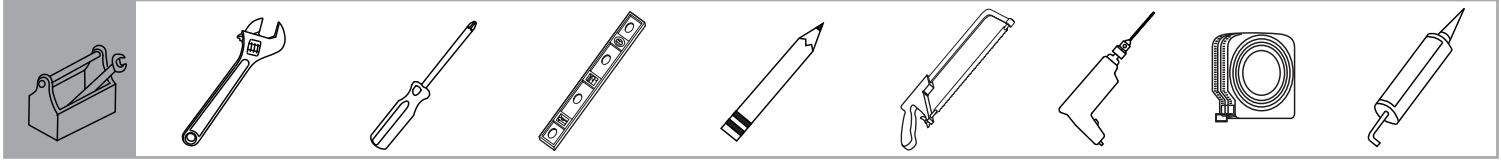
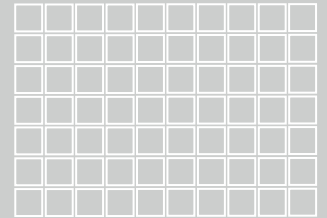
Heron Square Hygiene Rim – Back Inlet

Installation Manual

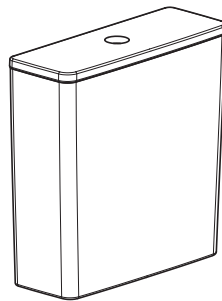
3301 / 4301 Back Inlet



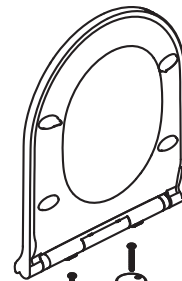
American Standard



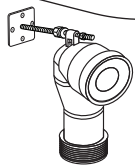
x1



x1



x1



x1



x1



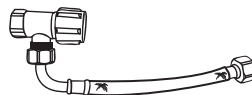
x1



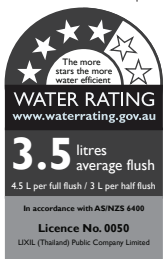
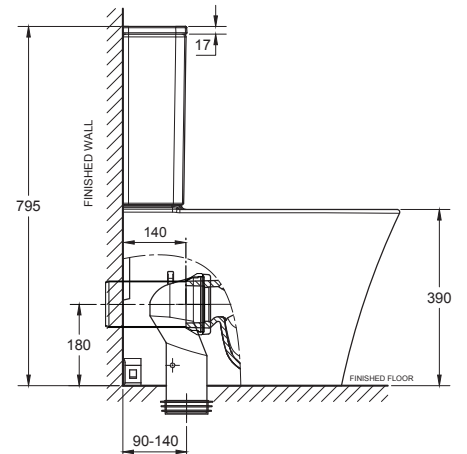
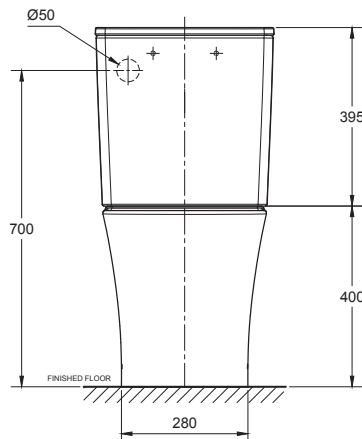
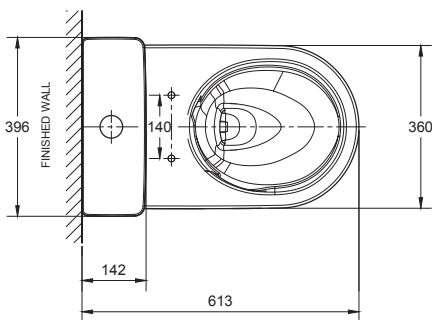
x1

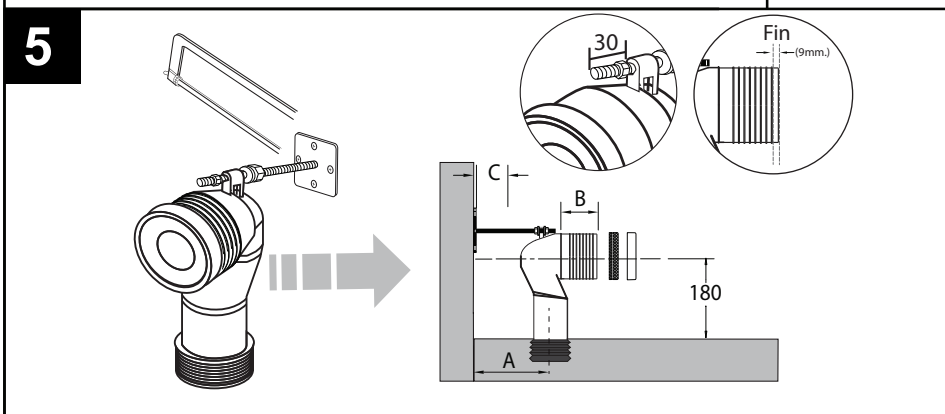
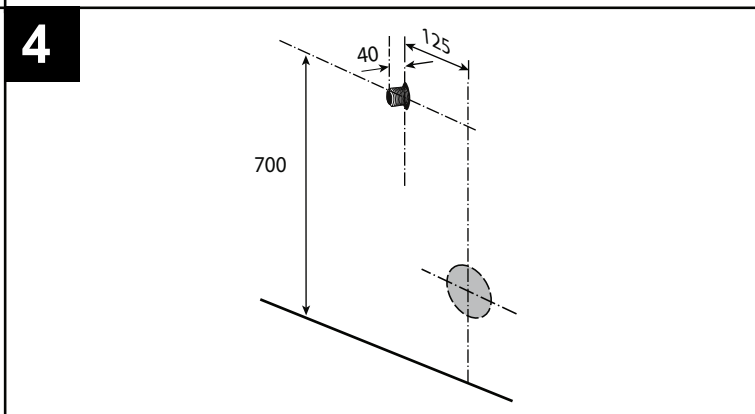
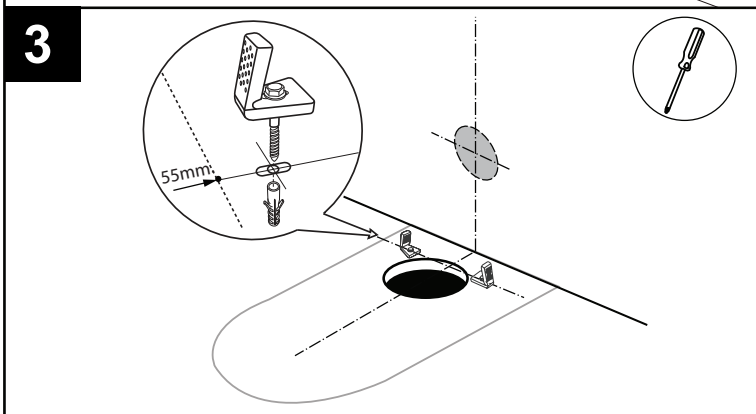
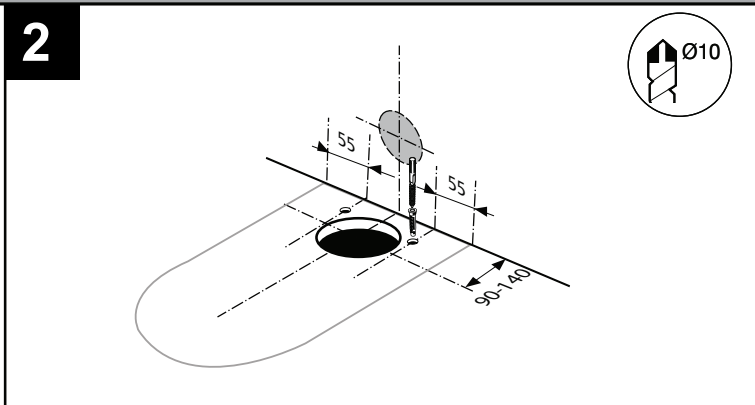
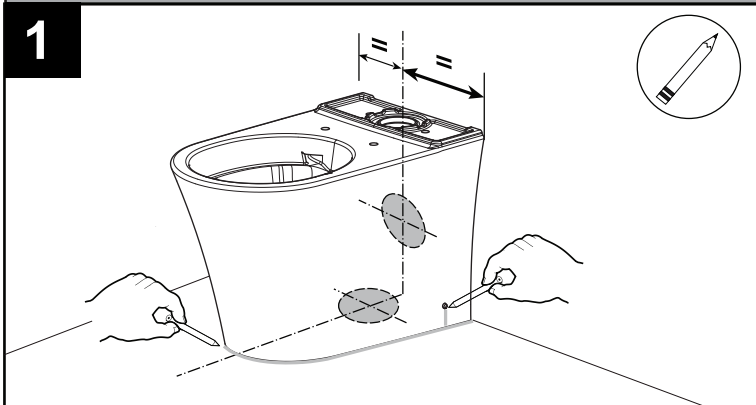


x1

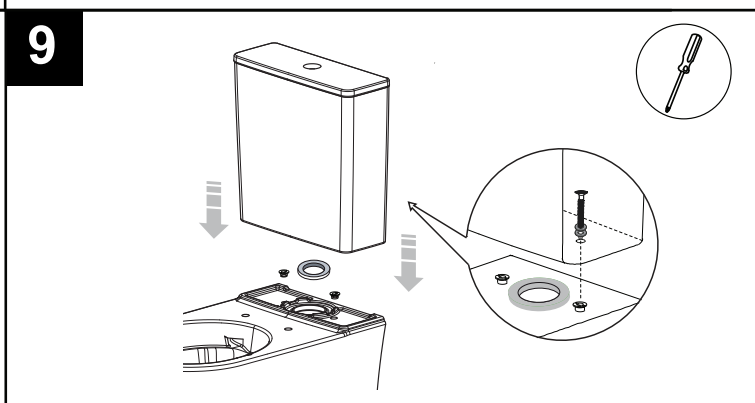
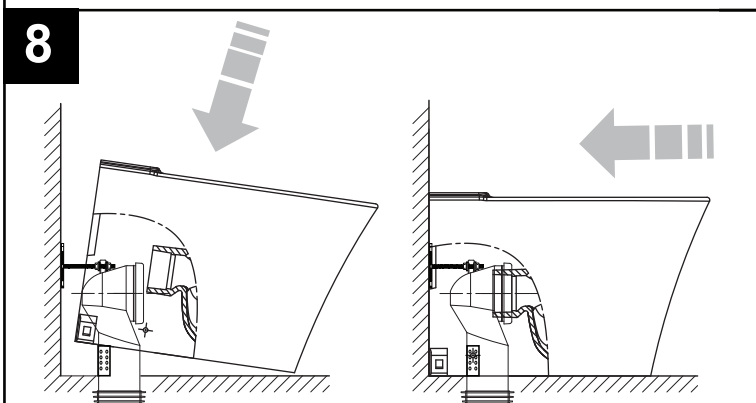
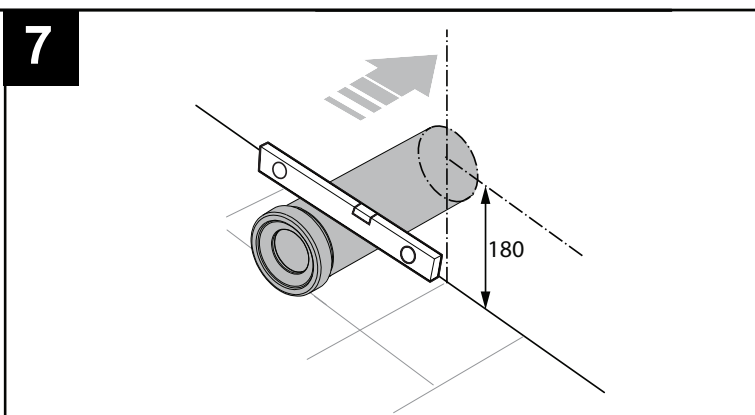
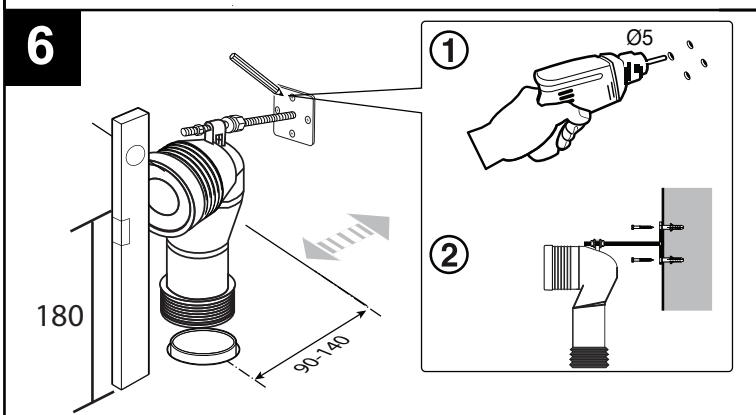


x1



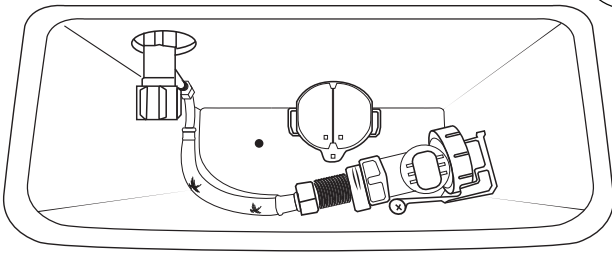


ROUGHING - IN (A)	CONNECTOR CUTOUT (B)	STUD CUT OUT (C)
90 mm.	-	170 mm.
100 mm.	10 mm.	160 mm.
110 mm.	20 mm.	150 mm.
120 mm.	30 mm.	140 mm.
130 mm.	40 mm.	130 mm.
140 mm.	50 mm.	120 mm.

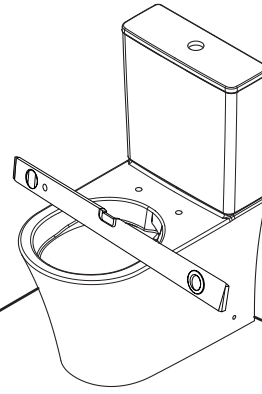




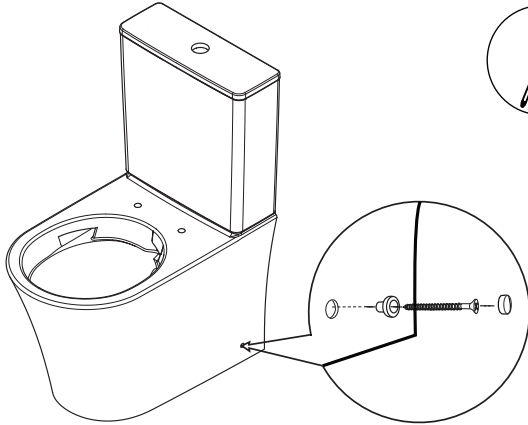
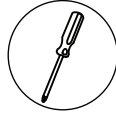
10



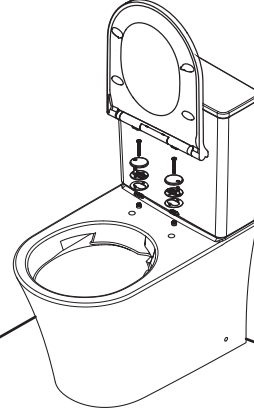
11



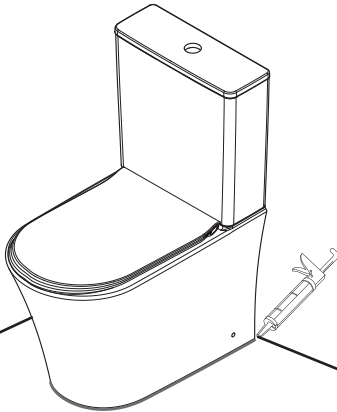
12



13



14



15

### IMPORTANT

#### Before turning on water supply check:

1. Cistern is installed properly
2. All moving components operate freely
3. All couplings are tightened correctly

#### Now fill cistern and recheck water level:

4. Check carefully for leaks
5. Test the cistern flushes

