

CLOSE COUPLE TOILET

Installation Manual

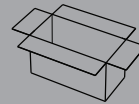
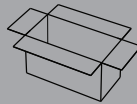
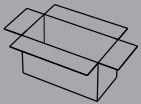
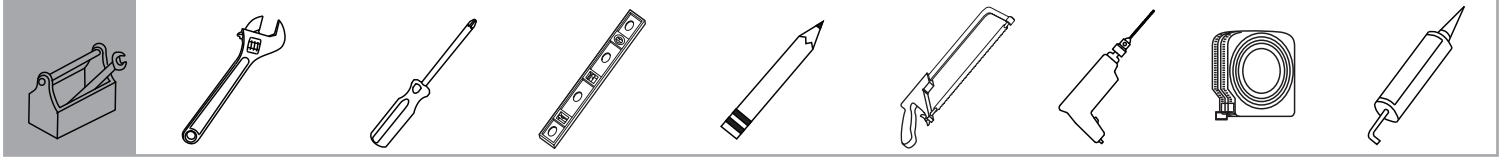
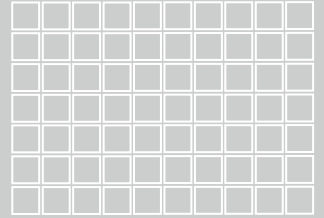
Cygnnet Hygiene Rim Over-height Square

Cygnnet Hygiene Rim Square

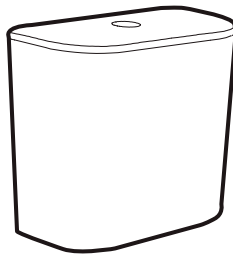
Bottom Inlet



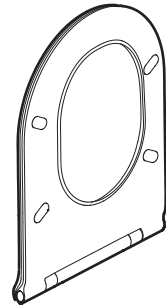
American Standard



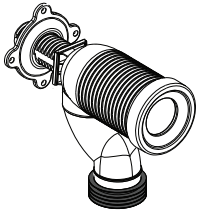
_____ x1



_____ x1



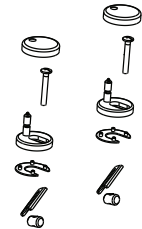
_____ x1



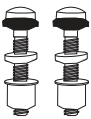
_____ x1



_____ x1



_____ x1



_____ x1



_____ x1

The more stars the more water efficient

WATER RATING
www.waterrating.gov.au

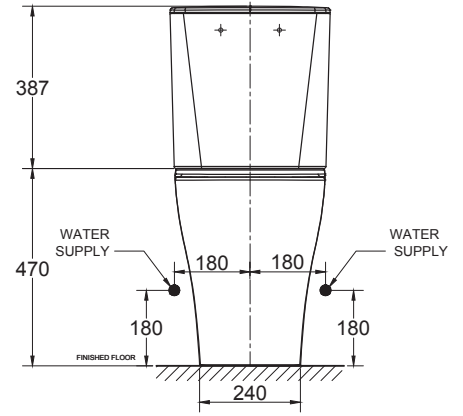
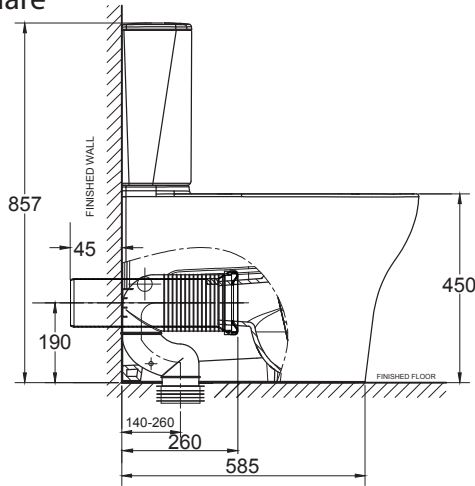
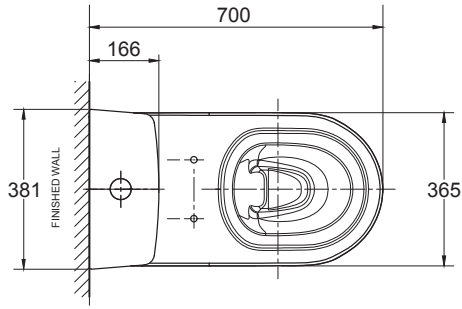
3.5 litres average flush
4.5 L per full flush / 3 L per half flush

In accordance with AS/NZS 6400
Licence No. 0050
LIXIL (Thailand) Public Company Limited

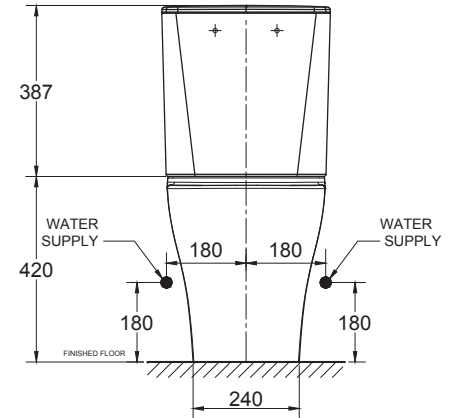
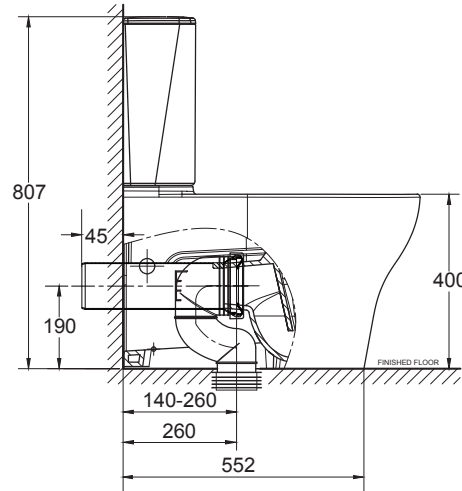
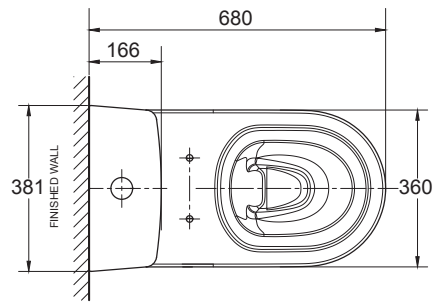
WaterMark
AS 1172.1
WMKA21024



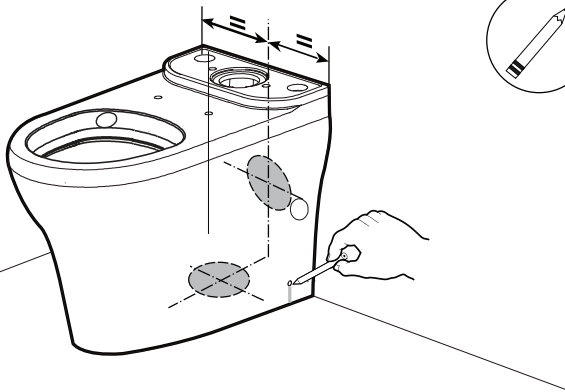
Cygnnet Hygiene Rim Over-height Square



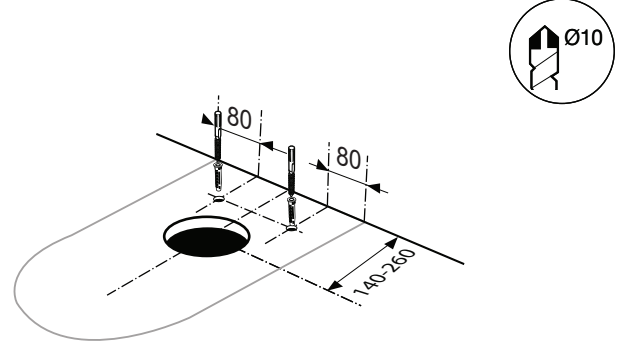
Cygnnet Hygiene Rim Square



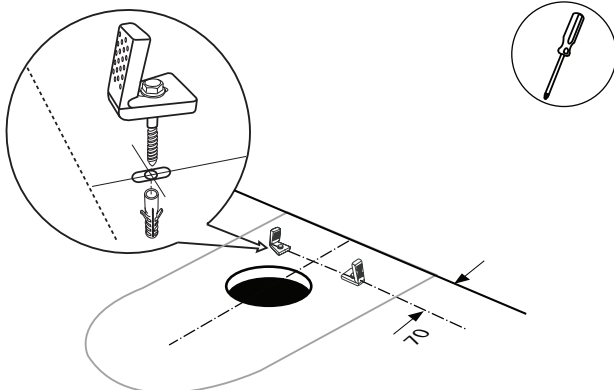
1



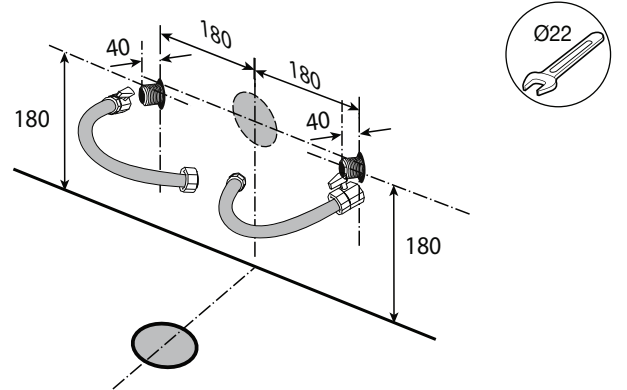
2



3

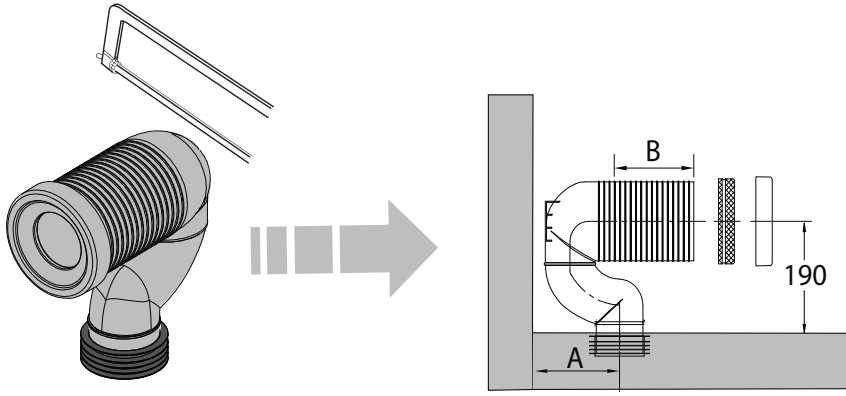


4



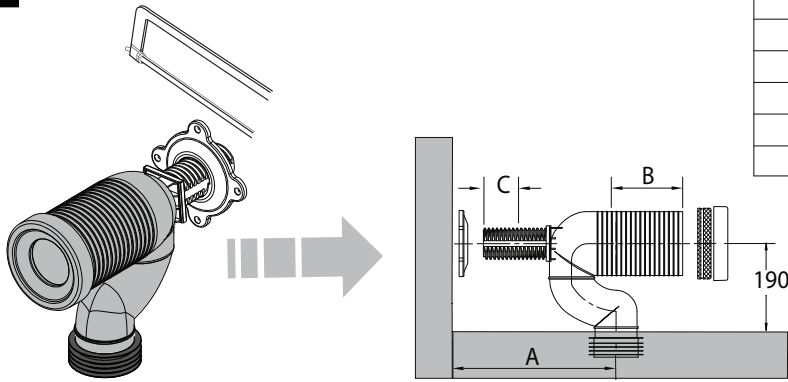


5a



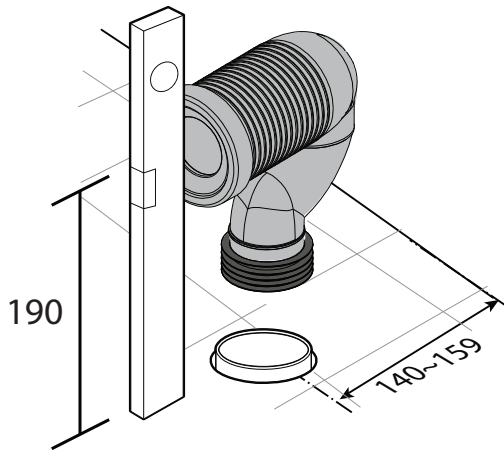
ROUGHING - IN (A)	CONNECTOR CUTOUT (B)
140-149 mm.	10 mm.
150-159 mm.	20 mm.

5b

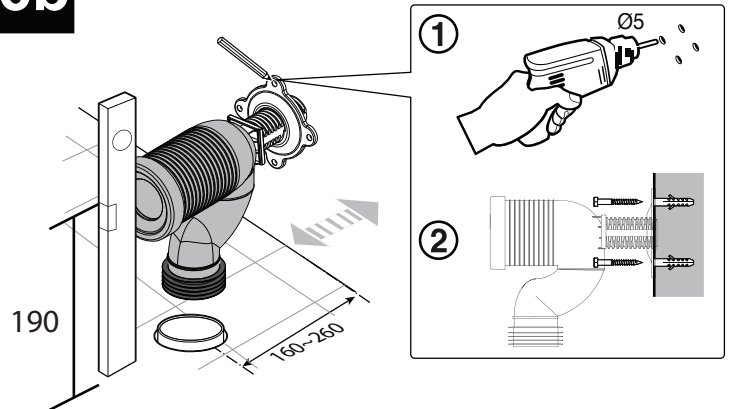


ROUGHING - IN (A)	CONNECTOR CUTOUT (B)	ROUGHING-IN (A)	CONNECTOR CUTOUT (B)
160-170 mm.	30 mm.	221-230 mm.	90 mm.
171-180 mm.	40 mm.	231-240 mm.	100 mm.
181-190 mm.	50 mm.	241-250 mm.	110 mm.
191-200 mm.	60 mm.	251-260 mm.	120 mm.
201-210 mm.	70 mm.	261-270 mm.	130 mm.
211-220 mm.	80 mm.	C= 116 - (A-160)	

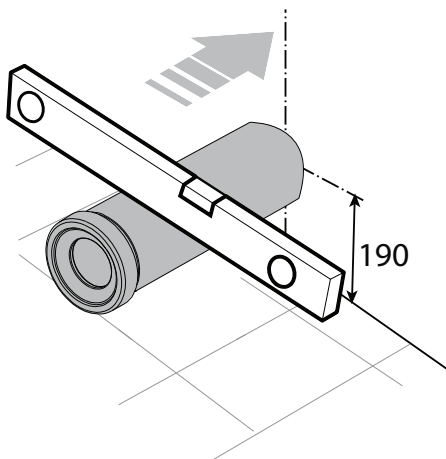
6a



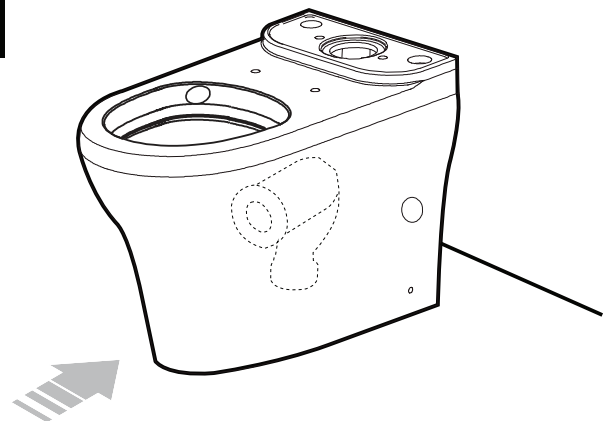
6b



7

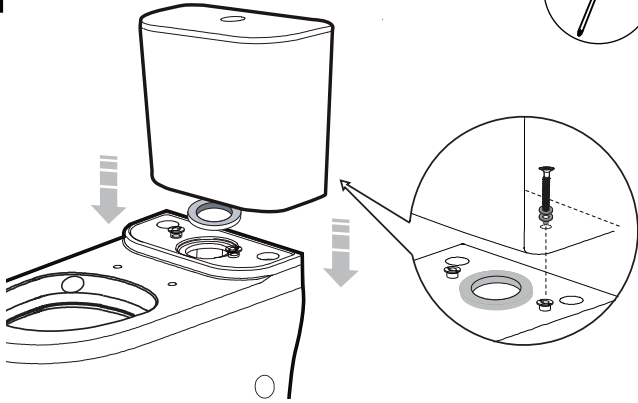


8

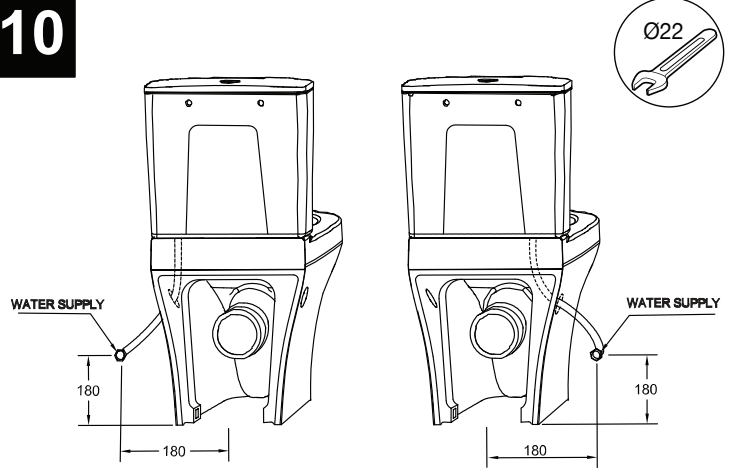




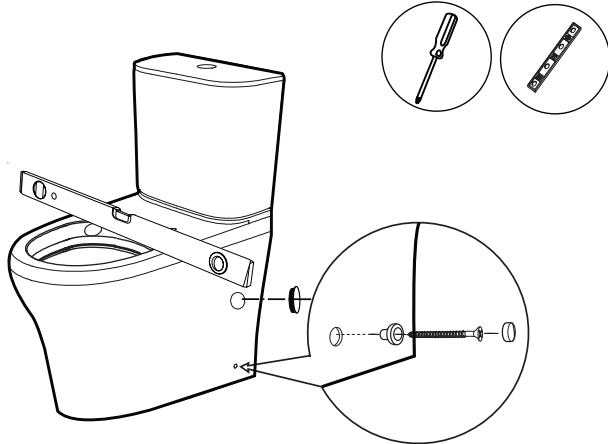
9



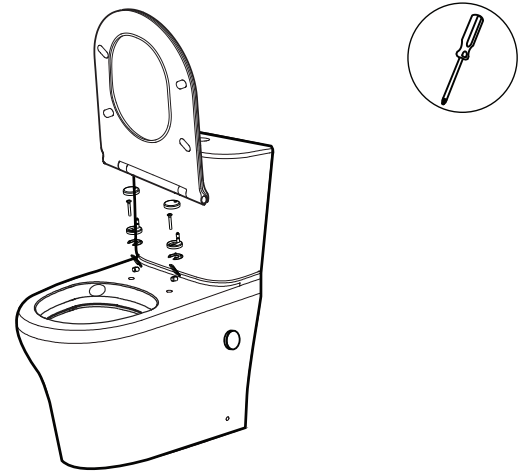
10



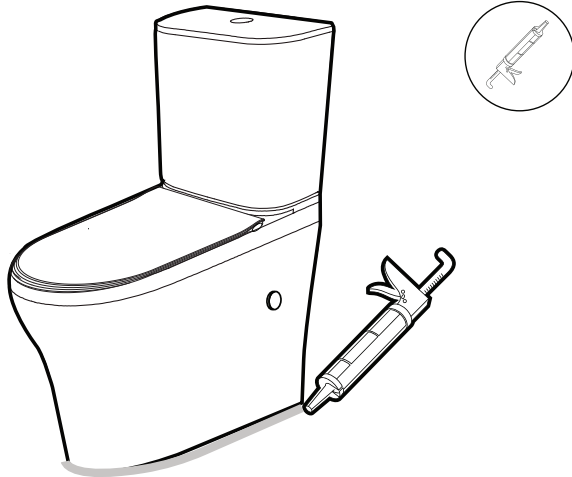
11



12



13



14

IMPORTANT

Before turning on water supply check:

1. Cistern is installed properly
2. All moving components operate freely
3. All couplings are tightened correctly

Now fill cistern and recheck water level:

4. Check carefully for leaks
5. Test the cistern flushes