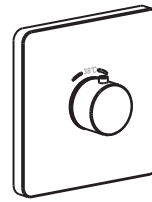


To ensure that your installation proceeds smoothly,
please read this instructions carefully before you begin.

American Standard

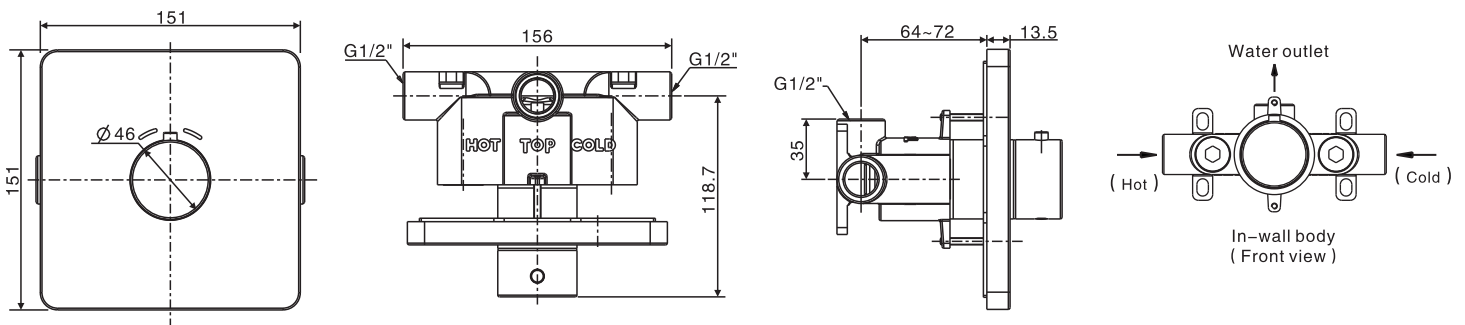
FFAS0930-000500BN0
EasySET Conceal Thermostatic Mixer with Trim



Installation &
Operation Instruction

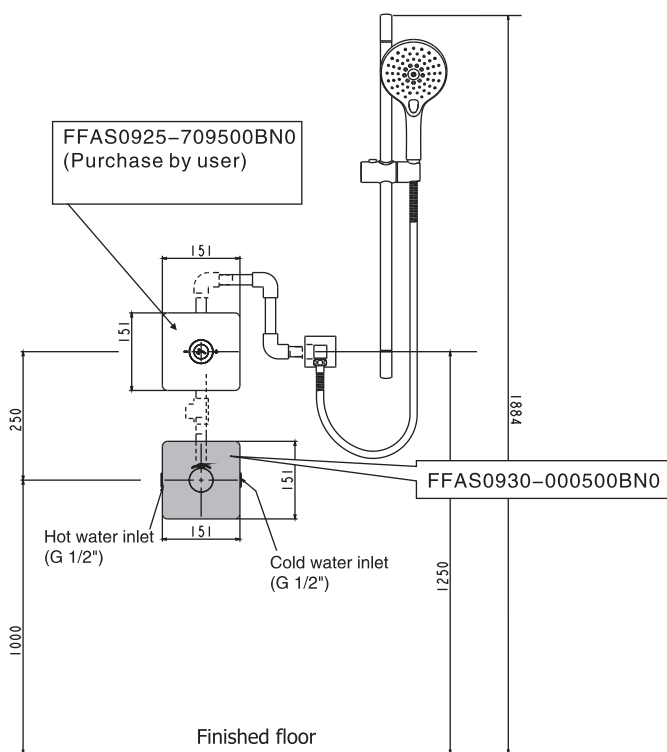
Dimension

Unit: mm

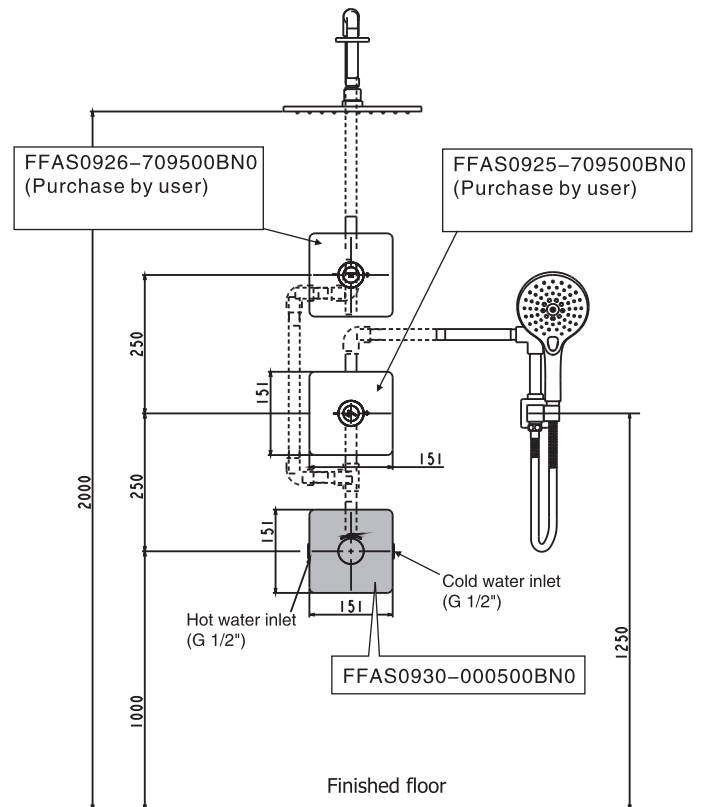


The combination of the recommended installation drawing

Combination 1

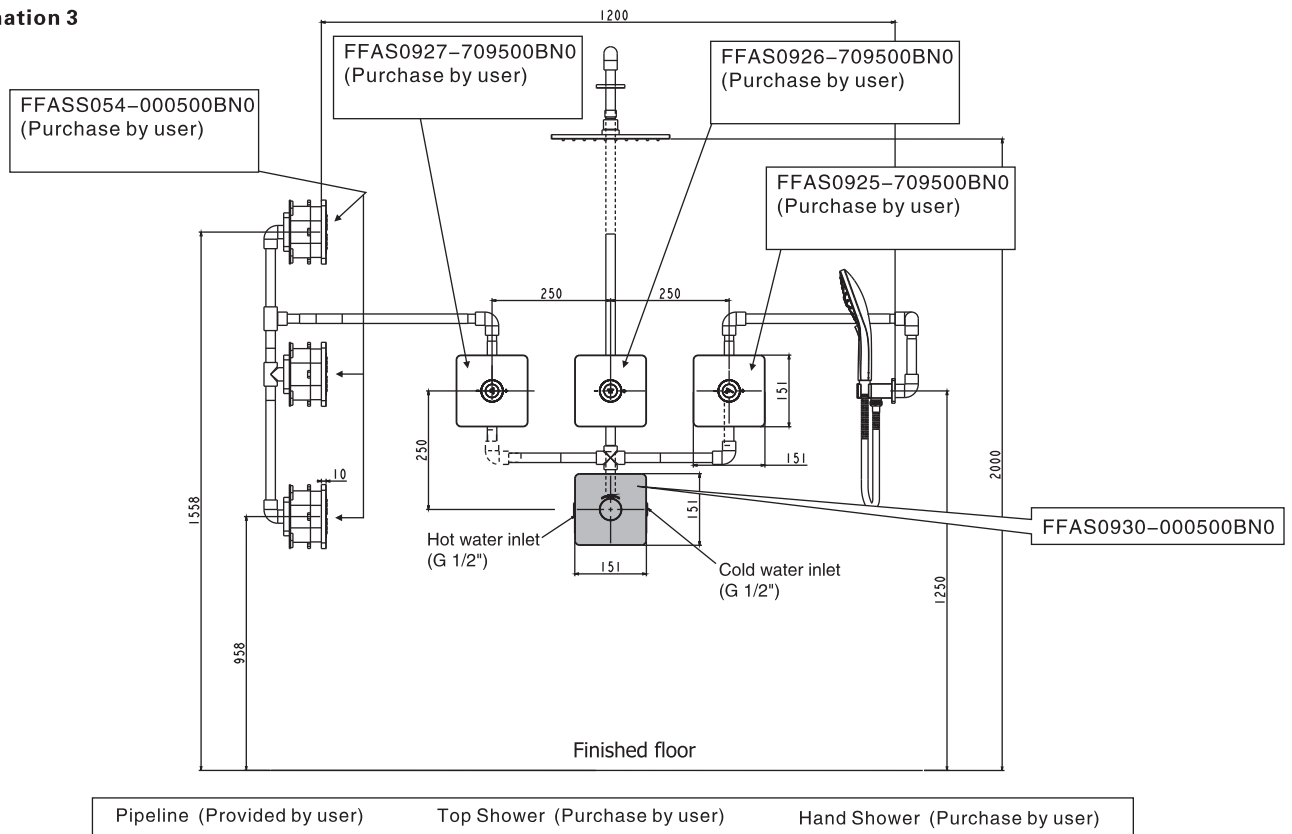


Combination 2



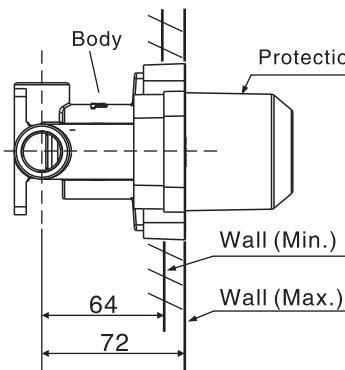
Pipeline (Provided by user) Top Shower (Purchase by user) Hand Shower (Purchase by user)

Combination 3

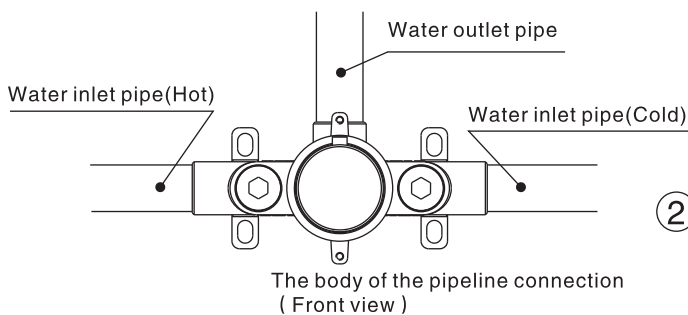


Installation

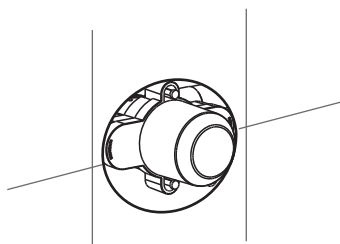
1 Body Installation



- ① Consult the dimension drawing and lay the pipes and the installation position of reservation of body. Wash and clean the water supply pipeline.

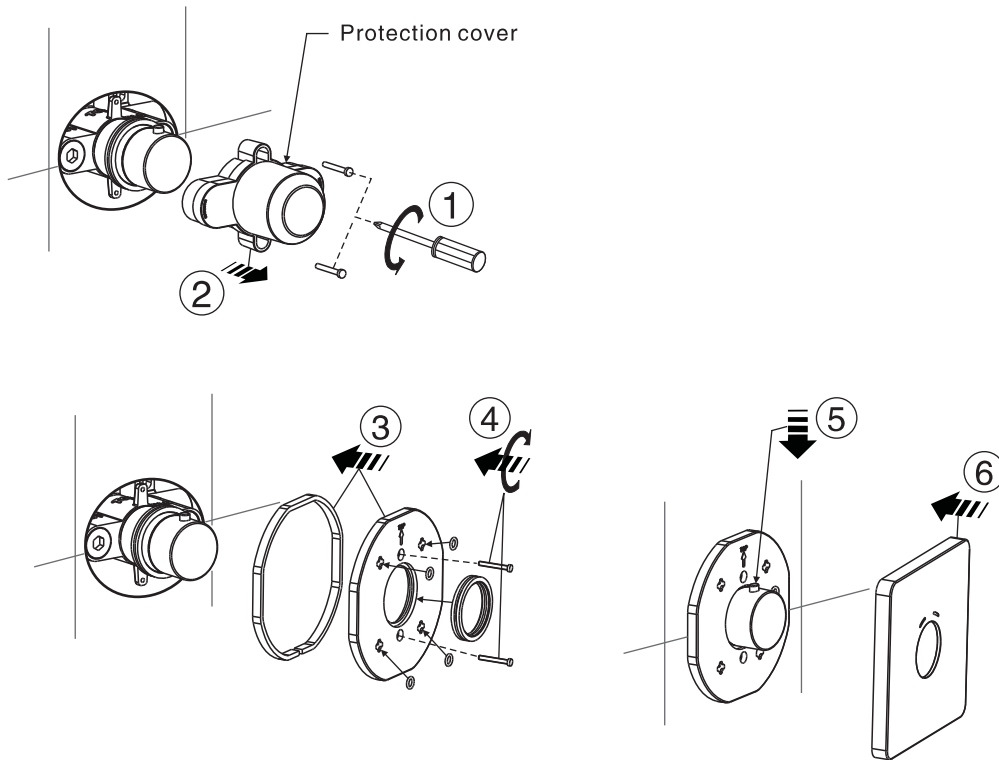


- ② Connecting the pipeline. Before the installation, Wash and clean the water supply pipeline.

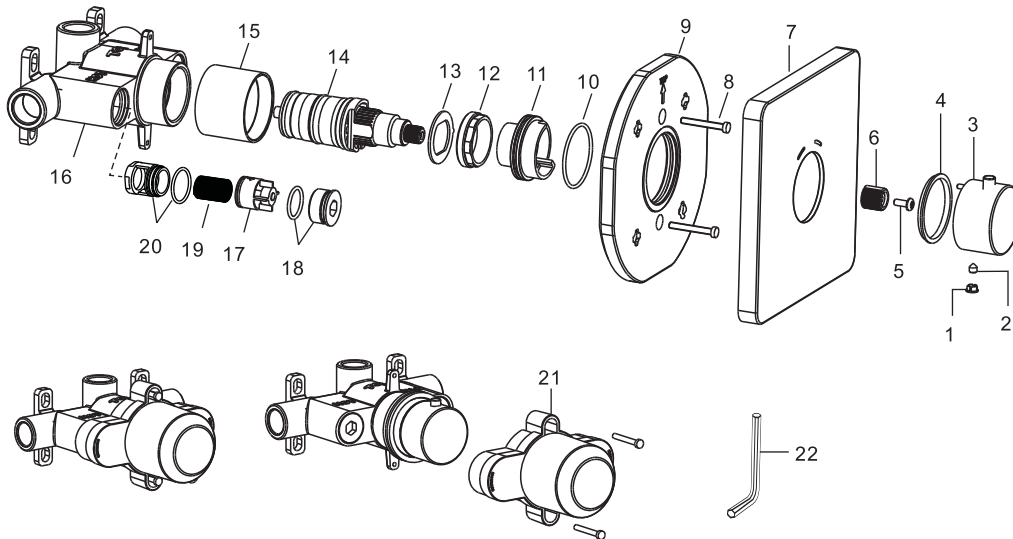


- ③ Confirm no leakage. Finished the wall.

2 Escutcheon & Handle Installation



Parts List



No.	Part Name	Q'ty
1	Index button	1
2	Screw	1
3	Handle	1
4	Locating piece	1
5	Screw	1
6	Bushing	1
7	Escutcheon	1
8	Screw	2
9	Locating plate	1
10	O-Ring	1
11	Snap ring	1
12	Nut	1
13	Washer	1
14	Cartridge	1
15	Sleeve	1
16	Body	1
17	Check valve	2
18	Plug	2
19	Fliter	2
20	Fixed seat	2
21	Protection cover	1
22	In-hex wrench	1

Notice

* Remove all impurity in pipes before beginning to avoid clogging. Connect faucet pipes correctly. Make sure the cold water hose is connected to the right side and the hot water hose to the left. Check installation distances in the Dimension diagram to ensure correct installation.

Conditions for use

1. Recommended water pressure condition: 100-500kPa (For best performance and longer life, we recommend fit with pressure reducing valve when water pressure exceed 500kPa, cold and hot water pressure difference not exceed 200kPa.).
2. Water Temperature: Cold Water Temperature 4°C ~ 29°C; Hot Water Temperature 55°C ~ 85°C; Recommended Water Temperature 55°C ~ 65°C.
3. Environment Temperature: 1~55°C
4. Municipal water requirement, water quality, water quality conform to the state if the poor water quality, easy to plug Cartridge, causing the temperature sensitivity is poor, if blocking one-way valve, will cause the hot and cold water pipe string.

Thermostatic valve attention

- * thermostatic valve has no cut-off function, and therefore it can not be used alone, it must be used with the switch control valve.
 - * the thermostatic valve need to match appropriate hot water. Please try to use stable hot water supply source and the best for family is heat storage electric water heater, when you select gas or solar water heater, may appear the below situation, please choose carefully.
1. Gas water heater, every water heater has a minimum starting pressure (flow), when we open the thermostatic valve with small flow, the flow of hot water can not reach the minimum flow, so the water heater will be cut off. When the hot water in the pipeline is discharged, the water heater will restart, and repeat the recycle. At this time, the water supply is not stable and it will cause the outlet sometimes hot and sometimes cold.

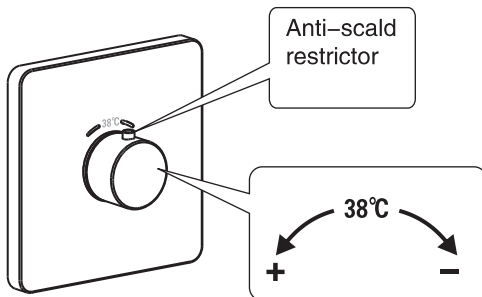
Solving methods:

- 1a. Set the water temperature of the water heater to 5 higher than the thermostatic valve (adjust with multiple manual knob, set the temperature knob in the lower position, and then use the knob to adjust the temperature of fire) the demand of hot water becomes larger in order to achieve the starting flow of the water heater.
Recommended value: Summer: 45~50 C; winter 50~55.
- 1b. Set the water thermostatic valve to full flow (half open water switch need to press the switch to rotate) you can also remove the limiting plug in the shower so that the water can become large to achieve the start flow of water heater
2. Solar water heaters, during the water supply, there is no pressure inside the hot water storage tank, and hot water from the water storage tank will flow by gravity to the thermostatic valve, when the pressure of the cold water supply exceeds hot water supply pressure with 200kPa, the water supply will be reversed and the hot water can not come out, then the thermostatic valve water will become sometimes hot and sometimes cold.

Solving methods

- 2a. to add a pump to the supply of solar water pump, so that the pressure of cold and hot water to reach a balance.
Push and save the pressurized water pressure: 300kPa
- 2b. water supply to the cold water with a pressure reducing valve, the same purpose of the cold and hot water supply pressure to reach a balance. When the water supply pressure exceeds 500kPa, the pressure relief valve is required to be configured.
Recommended water pressure: 100-500kPa, hot and cold water pressure difference: less than 200kPa

Usage



Anti-scald restrictor operation :

If you want to the mixed water temperature below 38°C, no need to press the restrictor ;
If you want to the mixed water temperature exceed 38°C, please press the restrictor and contrarotate the handle till to the comfortable temperature (max 43°C).



Reece Australia Pty Ltd
118 Burwood Hwy
Burwood VIC 3125
Tel.: 1800 080 055
Email: customercare@reece.com.au



Robertson
25 Vestey Drive
Mt Wellington, Auckland
Tel.: +64 9 5730490
Email: sales@robertson.co.nz