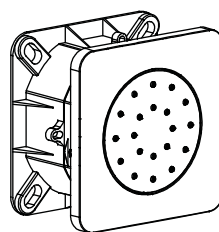


To ensure that your installation proceeds smoothly, please read this instructions carefully before you begin.

*American Standard*

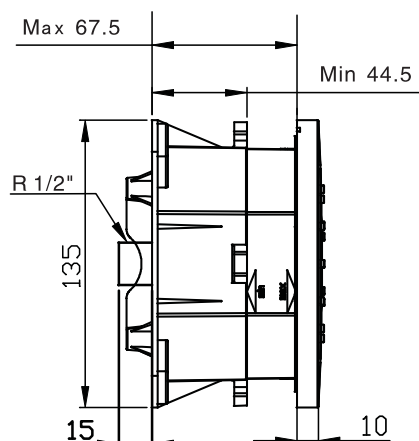
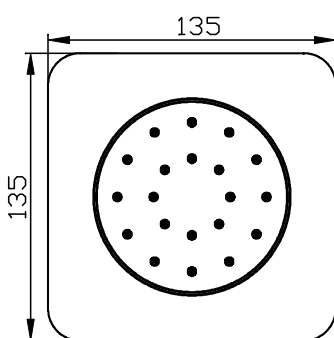
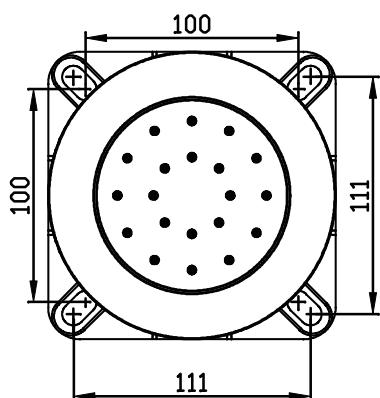
FFASS054-000500BN0  
Body Showers With Conceal Body (R1/2")



Installation & Operation Instruction

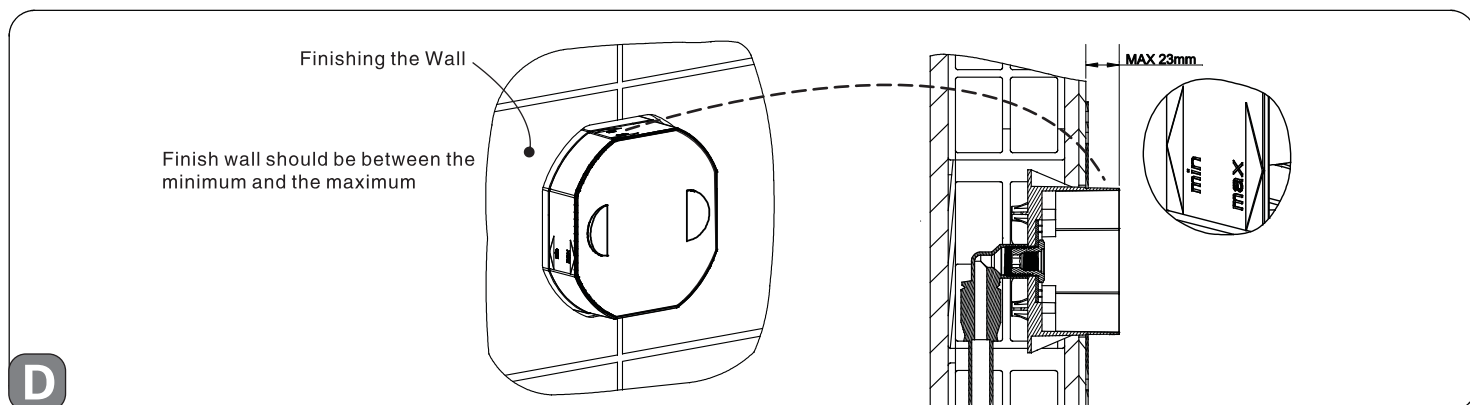
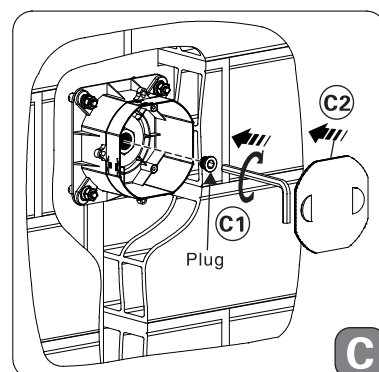
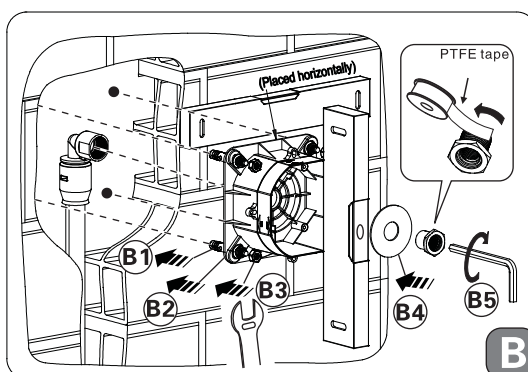
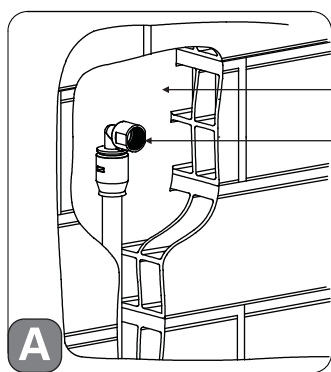
## Dimension

Unit: mm

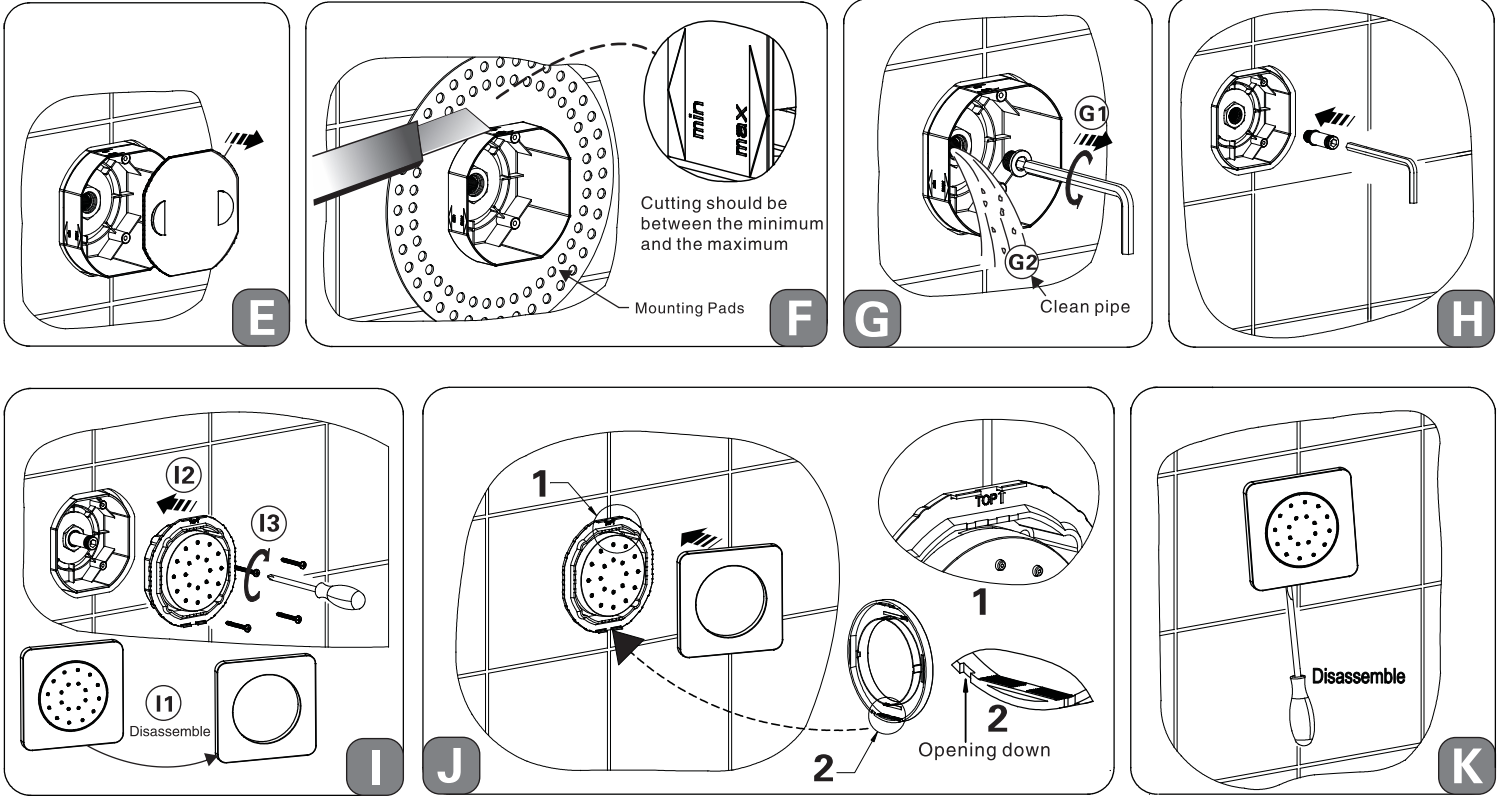


## Installation

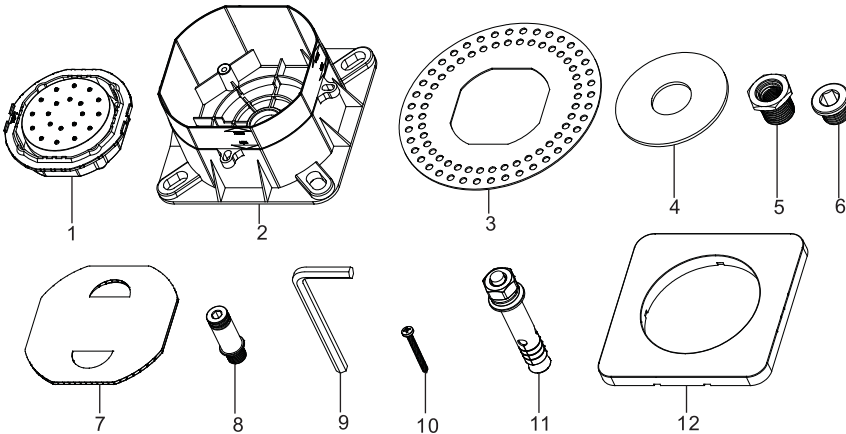
### 1 Installation Built in box



## 2 Installation Body jet



## Parts List



## Parts List

No.	Part Name	Q'ty
1	Body Jet	1
2	Built in Box	1
3	Mounting Pads	1
4	Flat Washer	1
5	Connection 1/2"GM 1/4"GF	1
6	Cap 1/4"G with o-ring	1
7	Cover	1
8	Connection 1/4"GM with o-ring	1
9	Hex Wrench(8mm)	1
10	Screw d4.2xL38	8
11	Expansion Bolts M6x60	4
12	Rose	1

## Notice

- \* All instruction procedures must comply in strict accordance with applicable local plumbing and building codes
- \* Remove all impurity in pipes before beginning to avoid clogging. Connect faucet pipes correctly.
- \* Check installation distances in the Dimension diagram to ensure correct installation.

### Conditions for use

- \* Recommended water pressure condition: ( Dynamic Pressure ) : 0.1Mpa-0.5Mpa
- \* Environment Temperature:1~55°C
- \* Water temperature: 4°C ~ 90°C, Recommended temperature 55°C ~ 65°C
- \* The cold and hot water pipes must not be reserved. Steam is not allowed to use.

AUS

Reece Australia Pty Ltd  
118 Burwood Hwy  
Burwood VIC 3125  
Tel.: 1800 080 055  
Email: [customercare@reece.com.au](mailto:customercare@reece.com.au)



NZ

Robertson  
25 Vestey Drive  
Mt Wellington, Auckland  
Tel.: +64 9 5730490  
Email: [sales@robertson.co.nz](mailto:sales@robertson.co.nz)