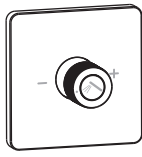


To ensure that your installation proceeds smoothly,
please read this instructions carefully before you begin.

American Standard



FFAS0925-709500BN0
EasySET for Hand Shower



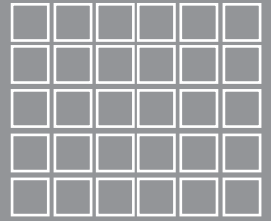
FFAS0926-709500BN0
EasySET for Head Shower



FFAS0927-709500BN0
EasySET for Body Shower



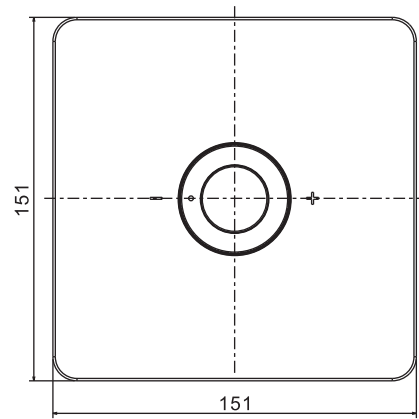
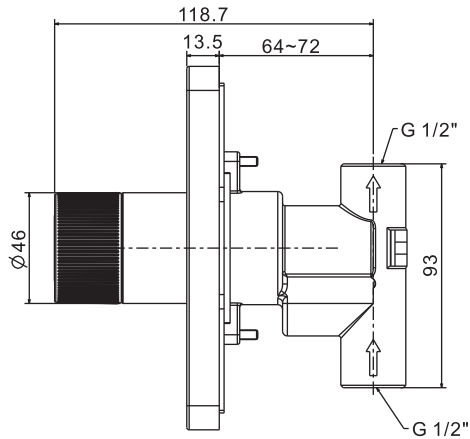
FFAS0928-709500BN0
EasySET for Pre-warming



Installation &
Operation Instruction

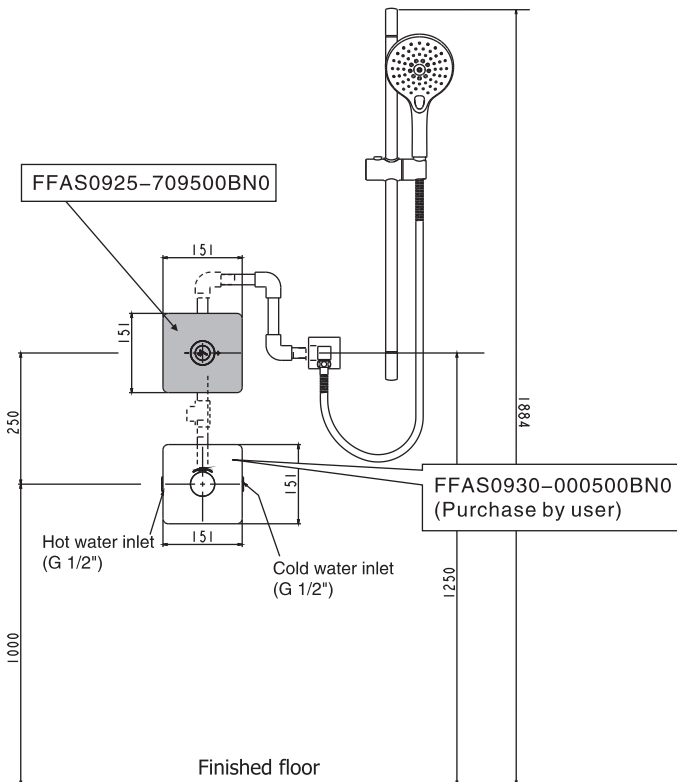
Dimension

Unit: mm

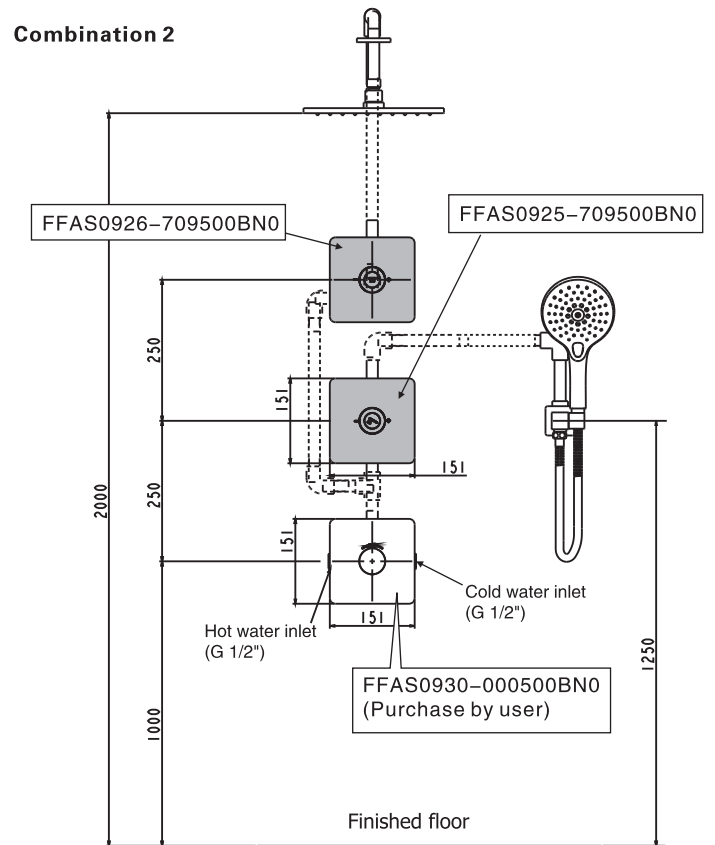


The combination of the recommended installation drawing

Combination 1



Combination 2

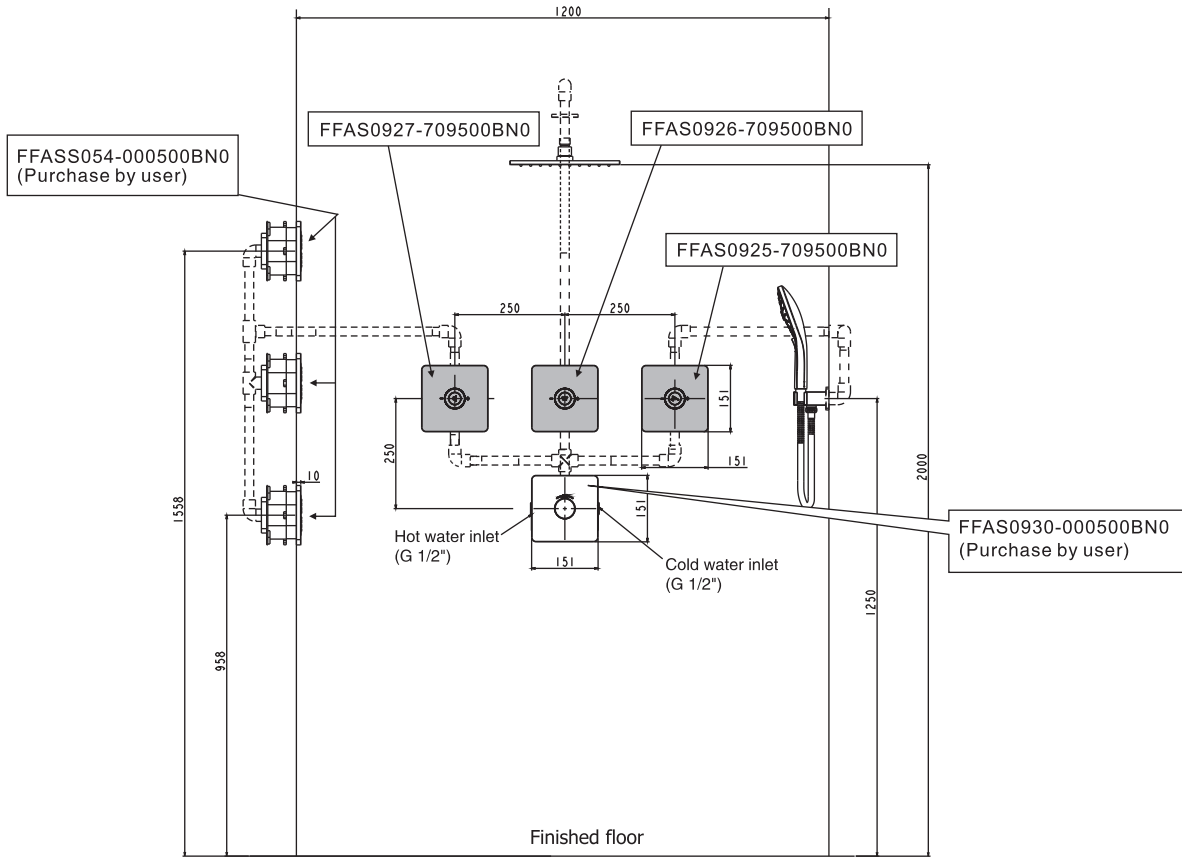


Pipeline (Provided by user)

Top Shower (Purchase by user)

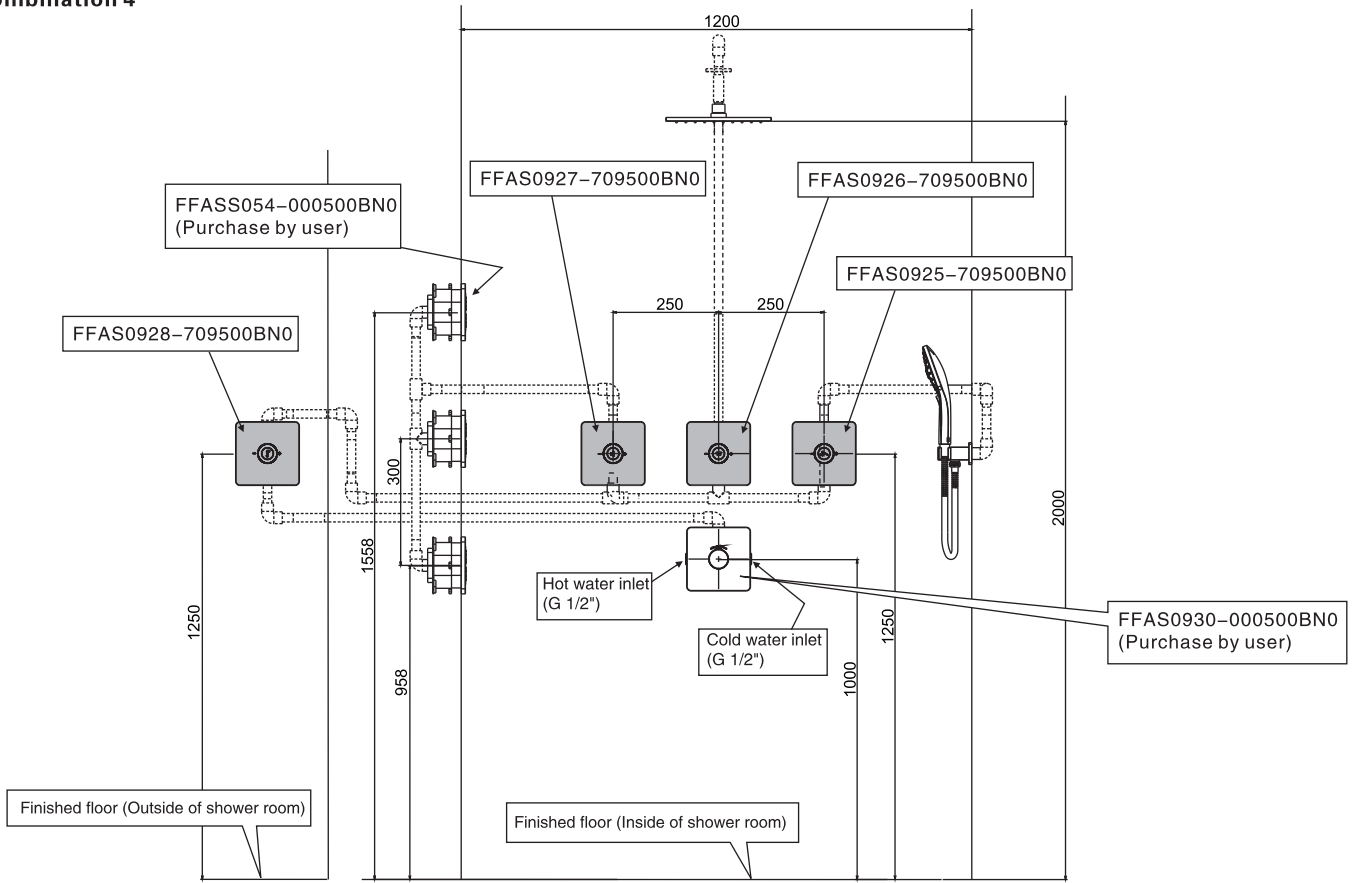
Hand Shower (Purchase by user)

Combination 3



Pipeline (Provided by user) Top Shower (Purchase by user) Hand Shower (Purchase by user)

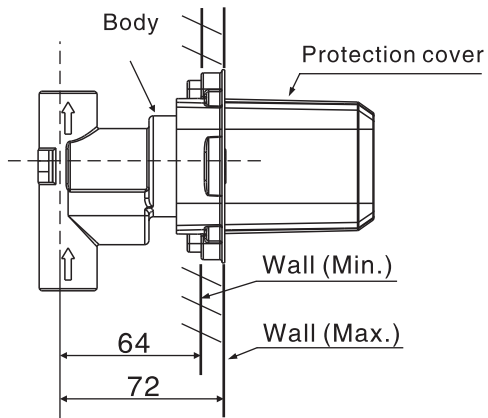
Combination 4



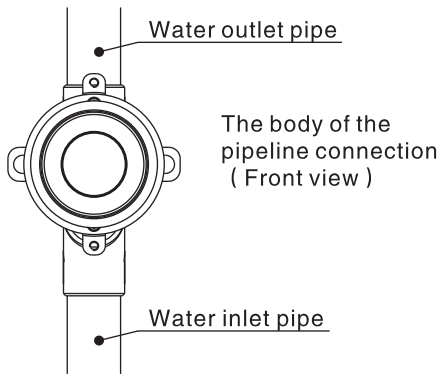
Pipeline (Provided by user) Top Shower (Purchase by user) Hand Shower (Purchase by user)

Installation

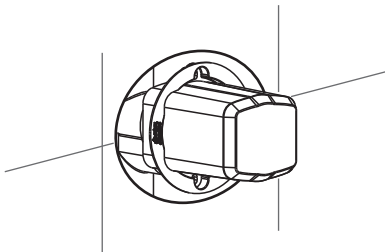
1 Body Installation



- 1 Determine the installation position and lay the water supply pipeline reference to installation drawing.

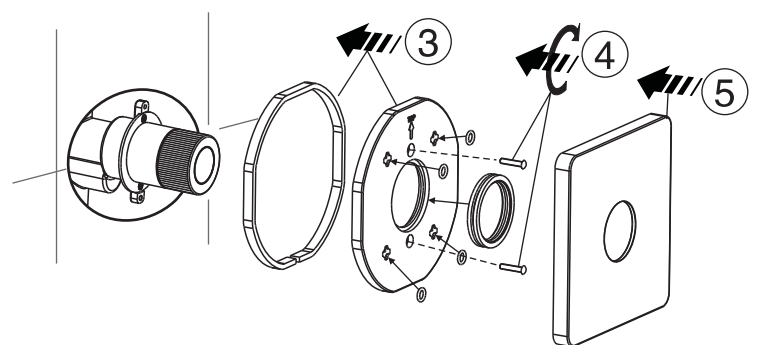
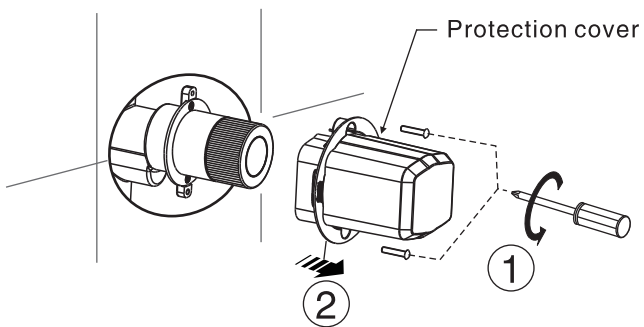


- 2 Connecting the pipeline. Before the installation, Wash and clean the water supply pipeline.

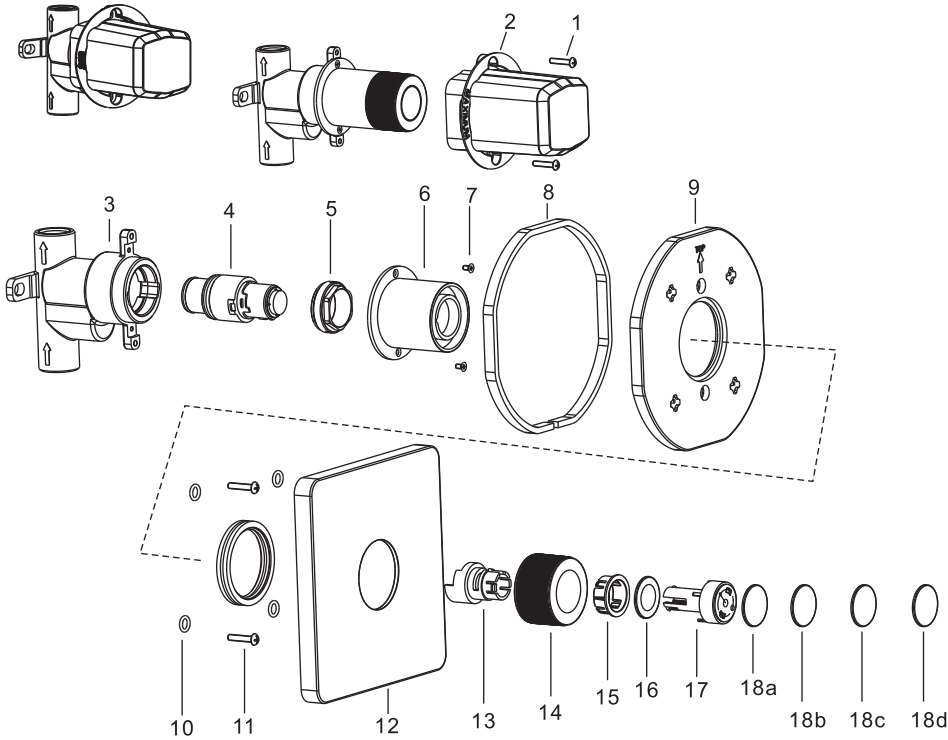


- 3 Confirm no leakage. Finished the wall.

2 Escutcheon & Handle Installation



Parts List



No.	Part Name	Q'ty			
		FFAS 0925	FFAS 0926	FFAS 0927	FFAS 0928
1	Screw	2	2	2	2
2	Protection cover	1	1	1	1
3	Body	1	1	1	1
4	Cartridge	1	1	1	1
5	Lock nut	1	1	1	1
6	Bushing	1	1	1	1
7	Screw	2	2	2	2
8	Washer	1	1	1	1
9	Fixing plate	1	1	1	1
10	O-Ring	4	4	4	4
11	Screw	2	2	2	2
12	Escutcheon	1	1	1	1
13	Handle adapter	1	1	1	1
14	Handle	1	1	1	1
15	Bushing	1	1	1	1
16	Washer	1	1	1	1
17	Button body	1	1	1	1
18a	Button cover	1	0	0	0
18b	Button cover	0	1	0	0
18c	Button cover	0	0	1	0
18d	Button cover	0	0	0	1

Notice

- * All instruction procedures must strictly comply with local plumbing and building codes regulations.
- * Remove all impurity in pipes before beginning to avoid clogging. Connect faucet pipes correctly.
- * Check installation distances in the Dimension diagram to ensure correct installation.

Conditions for use

- * Recommended water pressure condition: (Dynamic Pressure) : 100kPa-500kPa (When exceed 500kPa, it is strongly advised to odd pressure reducing valve)
- * Environment Temperature: 1~55°C
- * Water temperature: 4°C ~ 90°C, Recommended temperature 55°C ~ 65°C
- * The cold and hot water pipes must not be reserved. Steam is not allowed to use.



Reece Australia Pty Ltd
 118 Burwood Hwy
 Burwood VIC 3125
 Tel.: 1800 080 055
 Email: customercare@reece.com.au



Robertson
 25 Vestey Drive
 Mt Wellington, Auckland
 Tel.: +64 9 5730490
 Email: sales@robertson.co.nz