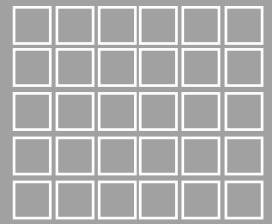
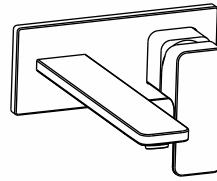


To ensure that your installation proceeds smoothly,  
please read this instructions carefully before you begin.

*American Standard*

# CYGNET

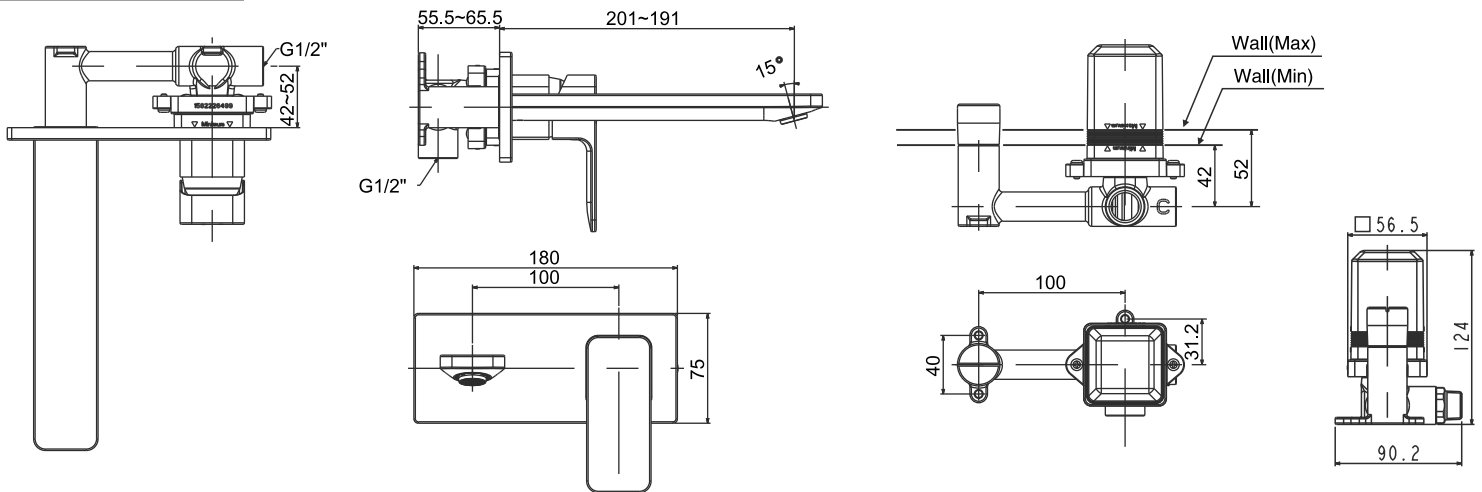
FFAS1304-601500ZNO  
CYGNET WALL BATH MIXER SET CP



Installation &  
Operation Instruction

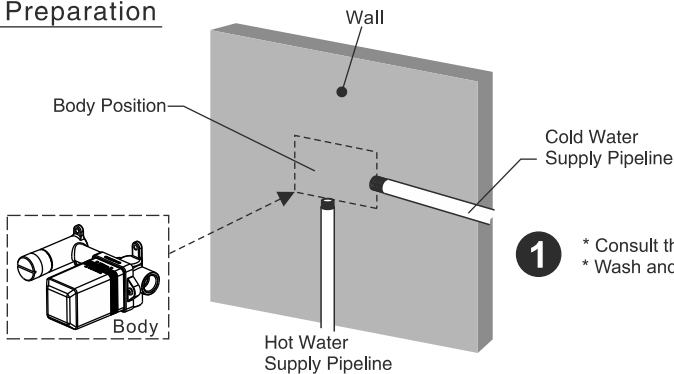
## Dimension

Unit: mm



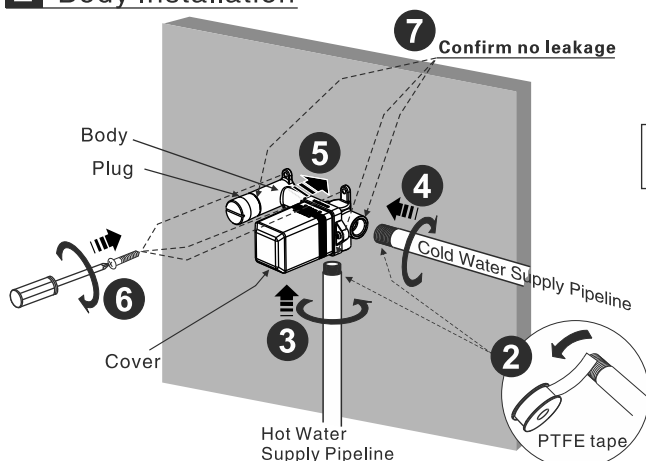
## Installation

### 1 Preparation

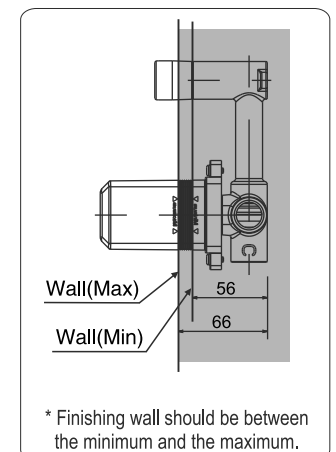
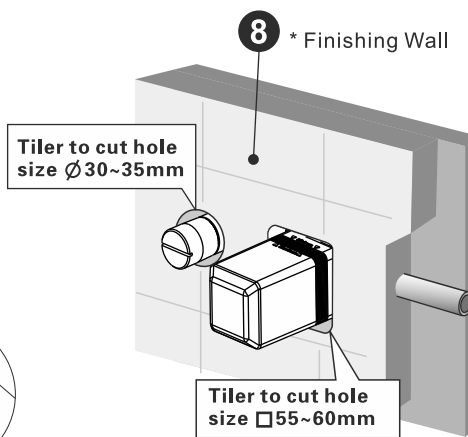


- \* Consult the dimension drawing and lay the pipes.
- \* Wash and clean the water supply pipeline.

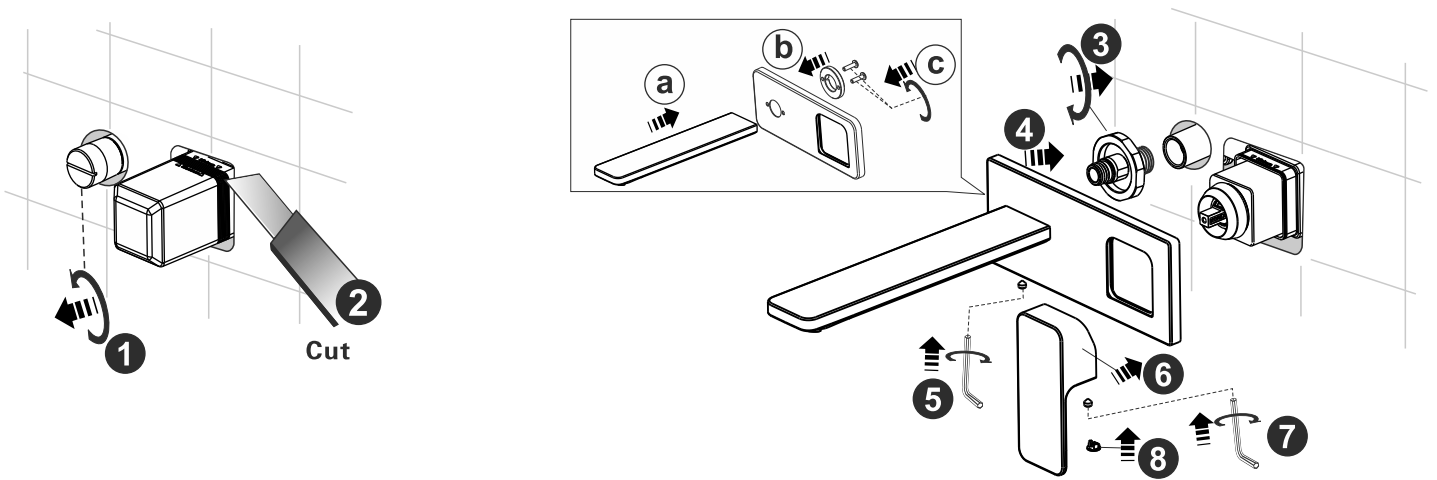
### 2 Body Installation



### 8 \* Finishing Wall

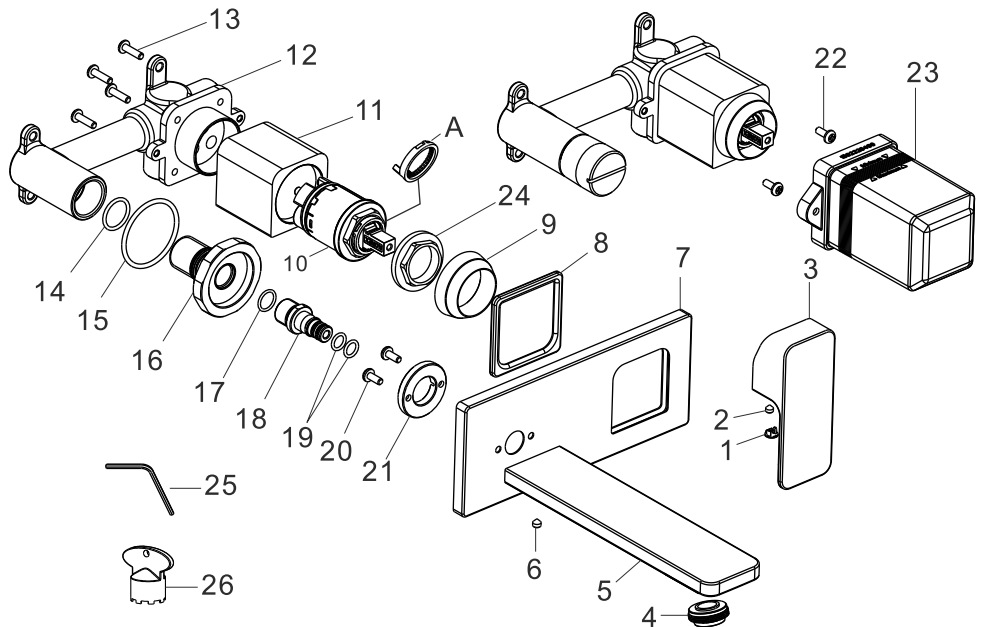


### 3 Spout & Handle Installation



### Parts List

No.	Part Name	Q'ty
1	Index Button	1
2	Screw	1
3	Handle	1
4	Aerator	1
5	Spout	1
6	Screw	1
7	Escutcheon	1
8	Washer	1
9	Cap	1
10	Cartridge	1
11	Bushing	1
12	Body	1
13	Screw	4
14	O-Ring	1
15	O-Ring	1
16	Connector	1
17	O-Ring	1
18	Connector	1
19	O-Ring	2
20	Screw	2
21	Fixing plate	1
22	Screw	1
23	Cover	1
24	Nut	1
25	In-hex Wrench	1
26	Aerator Wrench	1
A	Temperature limiter	1



### Notice

- \* Remove all impurity in pipes before beginning to avoid clogging. Connect faucet pipes correctly.
- \* Check installation distances in the Dimension diagram to ensure correct installation.

### Conditions for use

- \* Recommended water pressure condition: 0.1~0.5Mpa.
- \* Environment Temperature: 1~55°C
- \* Water temperature: 4 ~ 90°C, Recommended hot water temperature 55°C ~ 65°C
- \* Steam is not allowed to use.
- \* The cold and hot water pipes must not be reserved.



Reece Australia Pty Ltd  
118 Burwood Hwy  
Burwood VIC 3125  
Tel.: 1800 080 055  
Email: [customercare@reece.com.au](mailto:customercare@reece.com.au)



Robertson  
25 Vestey Drive  
Mt Wellington, Auckland  
Tel.: +64 9 5730490  
Email: [sales@robertson.co.nz](mailto:sales@robertson.co.nz)