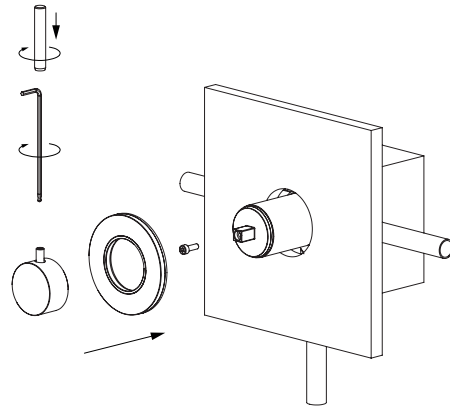


Step 4

- Remove plastic cover.
- Ensure seal is assembled to faceplate.
- Apply silicone to the seal to create a seal with finished wall surface.
- Slide faceplate onto diverter body.
- Push handle on to cartridge lever, and tighten grub screw firmly with hex key provided.
- Screw lever onto the grub screw and tighten by hand.



TŪROA SHOWER DIVERTER

Installation Guide

Technical Specifications:

Operating Pressure:

Min: 150kPa/1.5bar

Max: 1000kPa/10bar*

Optimum: 150kPa/1.5bar - 500kPa/5bar

Operating Temperature:

Hot: Max 80°C*

Cold: Min 5°C

Inlet Connections:

All ½" BSP

* Regional specific regulations apply.

Please refer to your warranty statement at

www.methven.com

Care and Cleaning:

Never use abrasives or abrasive cleaning agents to clean this product. Clean regularly with contamination free warm soapy water and a damp soft cloth.

Methven warrants this product against manufacturing defects and that it is suitable for use under the general operating conditions specified in this instruction sheet. However, regional regulations apply and may affect your warranty. Please refer to www.methven.com or call customer service for full details.

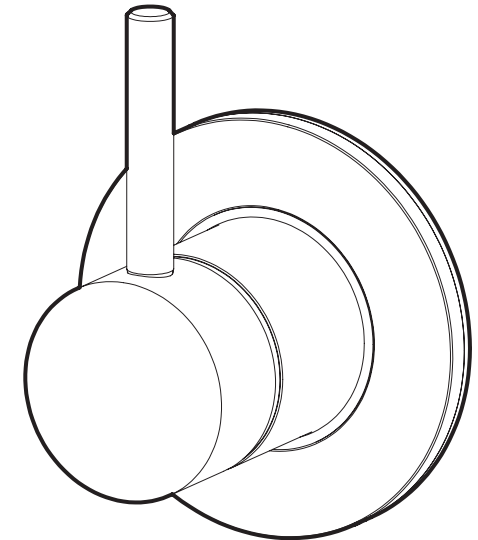
New Zealand
0800 804 222

Australia
1300 638 483

UK
0800 195 1602

435531

ISSUE A

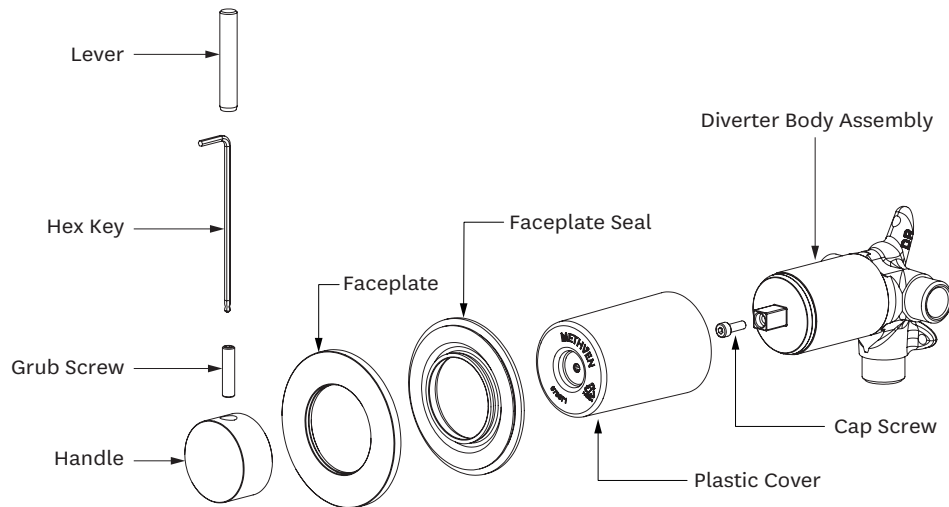


METHVEN
www.methven.com

IMPORTANT: Please read all of the instructions before installation.

General:

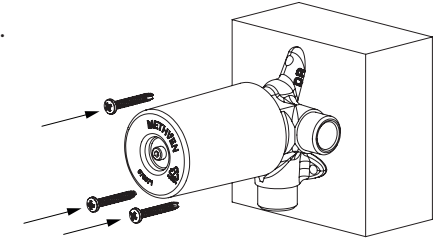
- Methven recommends this product is installed by a licensed plumber in compliance with all relevant regional regulations.
- Do not hydrostatic test the installation with this mixer installed. Damage to the ceramic cartridge may occur.
- All pipe work must be thoroughly flushed prior to the installation of the mixer.
- In-line filters must be fitted on both hot and cold supplies to prevent foreign particles damaging the ceramic cartridge.
- Do not remove the ceramic cartridge from the mixer when installing.
- After installation all connections must be checked for leaks.
- All outlets used primarily for personal hygiene shall deliver water at a safe temperature as per regional regulations.
- This mixer is not recommended for use in uncontrolled heating systems such as wet-backs or solar heating units unless a suitable tempering valve is fitted.
- It is the responsibility of the installer to ensure a waterproof seal is achieved between the product and mounting surface. If in doubt about the quality of the seal, remove the product and reinstall using silicone to ensure a seal is achieved.



IMPORTANT: Before you begin, turn off the water supply.

Step 1

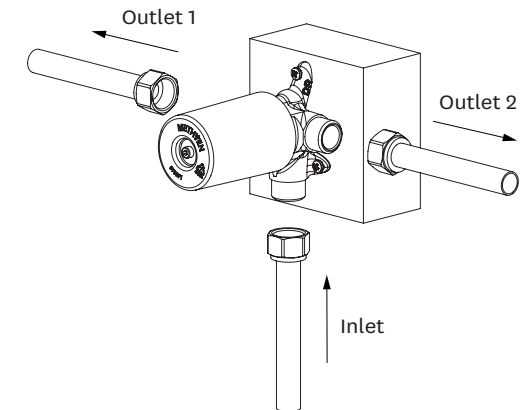
- Leave plastic cover in place during the installation.
- Secure the diverter body to the supporting timber ensuring that it is oriented square and vertical.



Step 2

- Flush all pipe-work thoroughly prior to the next step.
- Connect inlet and outlets to diverter body ensuring a good seal at each joint.
- Leak test installation prior to closing wall cavity.

The seal integrity of pipe joints are the responsibility of the installing plumber.



Step 3

- Wall lining hole should be cut or finished as per the dimension shown in the diagram on the right.
- Optimum distance from mounting surface to finished wall surface = 55mm \pm 10

