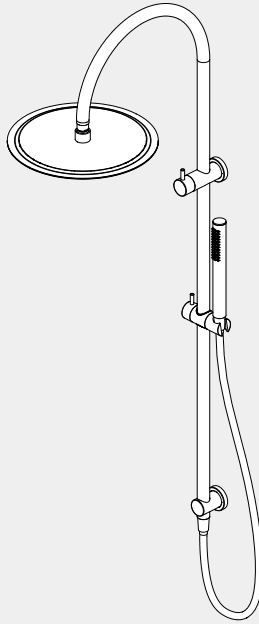


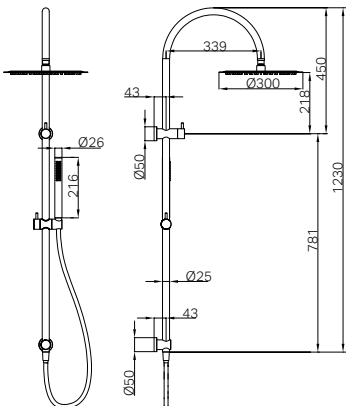
Zen SS316L Twin Shower

Nero



Versions:202405

Drawing



Specifications

Watermark License

WM-060093

Temperature Rating

Min 1°C - Max 75°C

Pressure Rating

Min 150kpa - Max 500kpa

Finish & SKU

With Outdoor Shower Hose

- | | |
|---|---|
|  Brushed Bronze
NR162205c01BZ |  Graphite
NR162205c01GR |
|  Brushed Gold
NR162205c01BG |  Brushed Nickel
NR162205c01BN |

With PVC Shower Hose

- | | |
|---|---|
|  Brushed Bronze
NR162205c02BZ |  Graphite
NR162205c02GR |
|  Brushed Gold
NR162205c02BG |  Brushed Nickel
NR162205c02BN |

Packaging Includes

- 1x Hand Shower (Built - In Check Valve)
- 1x Shower Head
- 1x Shower Arm
- 1x Shower Rail
- 1x 1.5m Hose

*Dimensions are nominal measurements only.
**Top or bottom diverter compatible.

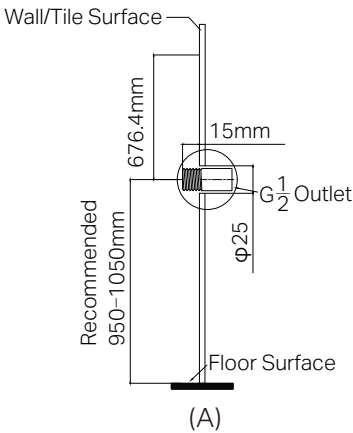
Installation Instruction

GENERAL INSTRUCTIONS:

- This product must be installed by a licensed plumber. Ensure that your plumbing installation conforms to the Australian/New Zealand Standard AS/NZS 3500.
- All pipework must be thoroughly flushed prior to the installation of the shower. In-line filters must be fitted on both hot and cold supplies to prevent foreign particles from damaging the shower components.
- Ensure that all outlets used for personal hygiene deliver water at a safe temperature in accordance with regional regulations.
- Verify that the water pressure is within the recommended range for the shower to function properly.

Bottom Divertor Installation

①



②



Ensure the G1/2 outlet thread is the correct length, cut to the outlet if required.

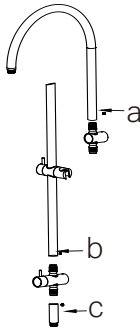
The recommended height for the water inlet is 950-1050mm from the finished floor surface.

Drill a 6mm hole in the wall, 676.4mm above the center point of the inlet point, as shown in Figure A.

Wrap the G1/2 water outlet connection with Teflon tape to ensure a watertight seal.

Insert expansion screws into the 6mm hole, and secure the mounting bracket to the wall with self-tapping screws.

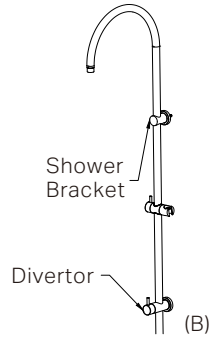
③



Undo the three grub screws as indicated in the figure above, then disassemble the shower rails a, b, and c.

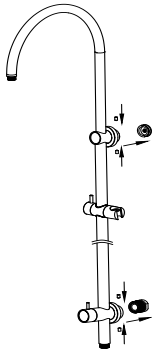
Swap the positions of the mounting bracket and diverter. Then, reassemble the shower rails a, b, and c, and secure them with grub screws.

④



Positioning the diverter and shower bracket as in Figure B.

⑤

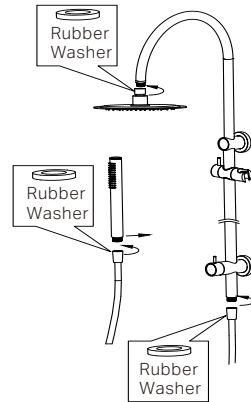


Attach the diverter and shower bracket to the water inlet and mounting bracket.

Secure firmly with grub screws.

Slide the backplates onto the shower bracket and diverter.

⑥



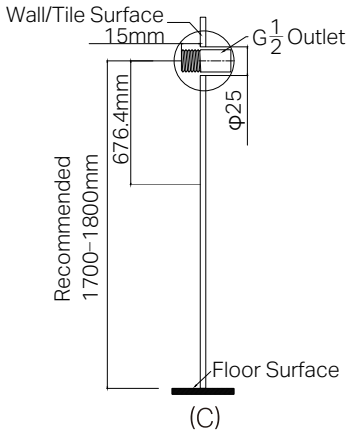
Screw the overhead shower into the shower arm, ensuring a rubber washer is in place for watertight seal.

Connect hand shower with the hose and shower rail, ensuring rubber washers are present at both connections for leak prevention.

Verify that each screw connection is securely tightened. Turn on the drainage system and water supply, and inspect all connections for any signs of leakage.

Top Divertor Installation

①

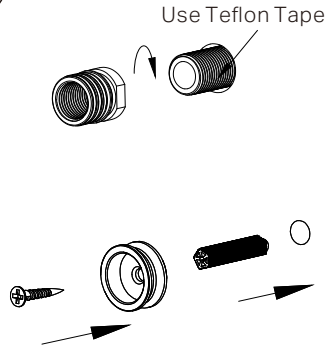


Ensure the G $\frac{1}{2}$ outlet thread is the correct length, cut to the outlet if required.

The recommended height for the water inlet is 950-1050mm from the finished floor surface.

Drill a 6mm hole in the wall, 676.4mm below the center point of the inlet point, as shown in Figure C.

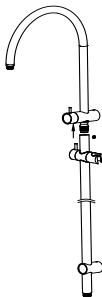
②



Wrap the G $\frac{1}{2}$ water outlet connection with Teflon tape to ensure a watertight seal.

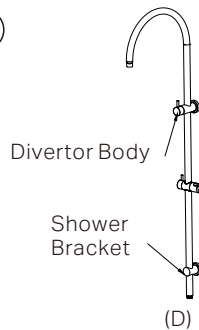
Insert expansion screws into the 6mm hole, and secure the mounting bracket to the wall with self-tapping screws.

③



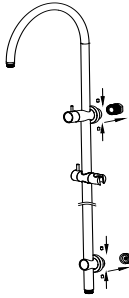
Insert shower arm into shower rail, and secure by grub screw.

④



Positioning the divertor and shower bracket as in Figure D.

5

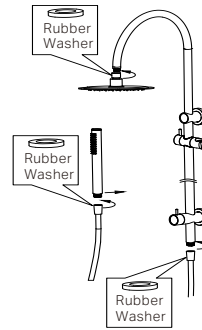


Attach the diverter and shower bracket to the water inlet and mounting bracket.

Secure firmly with grub screws.

Slide the backplates onto the shower bracket and diverter.

6



Screw the overhead shower into the shower arm, ensuring a rubber washer is in place for watertight seal.

Connect the hand shower with the hose and shower rail, ensuring rubber washers are present at both connections for leak prevention.

Verify that each screw connection is securely tightened. Turn on the drainage system and water supply, and inspect all connections for any signs of leakage.

MAINTENANCE AND CARE:

- Regularly check the shower system and all connections for signs of wear or leaks.
- Clean all shower components with mild soapy water to maintain their appearance, avoiding harsh chemicals and abrasive materials that may damage the finish.
- Descale the showerhead, hand shower, and other components periodically to prevent mineral buildup, which can affect water flow and performance.
- Inspect and replace any worn-out parts, such as seals or washers, to ensure the longevity and efficiency of the shower system.
- Ensure all moving parts, such as adjustable brackets or sliding rails, are functioning smoothly and are properly lubricated if necessary.

FINAL INSPECTION:

- Ensure the shower operates smoothly and that there are no leaks at the connections.
- Verify that the water temperature and flow are consistent and as desired.
- Clean the area and the newly installed shower with a soft cloth to remove any installation residues.

Nero

