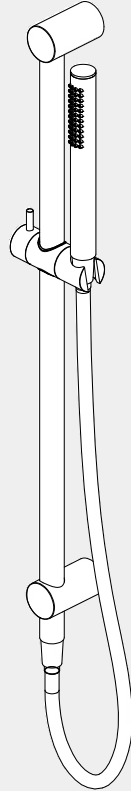


# Zen SS316L Shower Rail

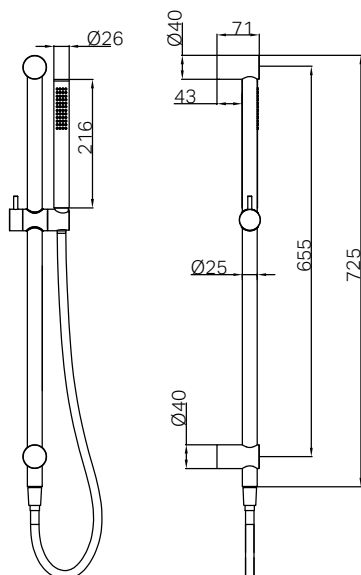
# Nero



Versions:202405



## Drawing



## Specifications

### Watermark License

WM-060093

### Temperature Rating

Min 1°C - Max 75°C

### Pressure Rating

Min 150kpa - Max 500kpa

## Finish & SKU

### With Outdoor Shower Hose

● Brushed Bronze  
NR162205b01BZ

● Brushed Gold  
NR162205b01BG

### With PVC Shower Hose

● Brushed Bronze  
NR162205b02BZ

● Brushed Gold  
NR162205b02BG

● Graphite  
NR162205b01GR

● Brushed Nickel  
NR162205b01BN

● Graphite  
NR162205b02GR

● Brushed Nickel  
NR162205b02BN

## Packaging Includes

1x Hand Shower ( Built- In Check Valve)

1x Shower Rail

1x 1.5m Hose

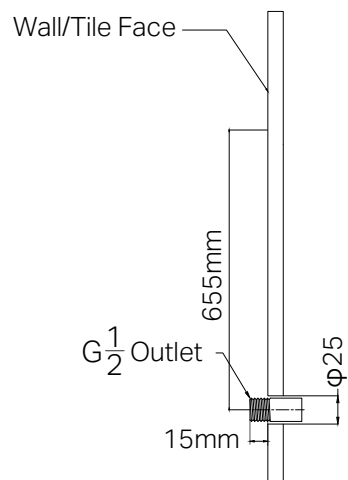
\*Dimensions are nominal measurements only.

# Installation Instruction

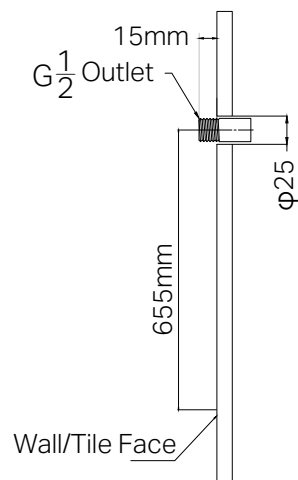
## GENERAL INSTRUCTIONS:

- This product must be installed by a licensed plumber. Ensure that your plumbing installation conforms to the Australian/New Zealand Standard AS/NZS 3500.
- All pipework must be thoroughly flushed prior to the installation of the shower. In-line filters must be fitted on both hot and cold supplies to prevent foreign particles from damaging the shower components.
- Ensure that all outlets used for personal hygiene deliver water at a safe temperature in accordance with regional regulations.
- Verify that the water pressure is within the recommended range for the shower to function properly.

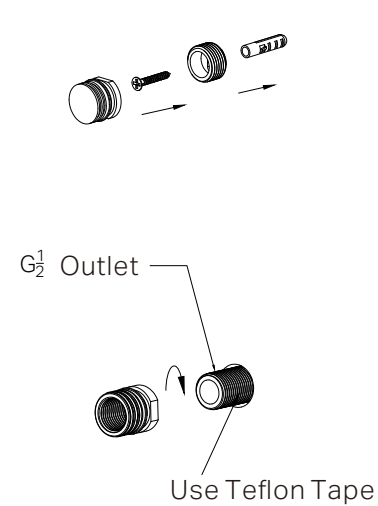
Bottom Water Inlet:



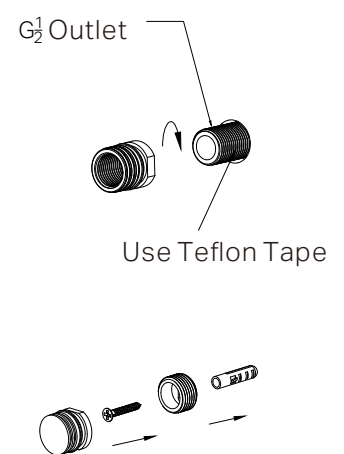
Top Water Inlet:



Bottom Water Inlet:

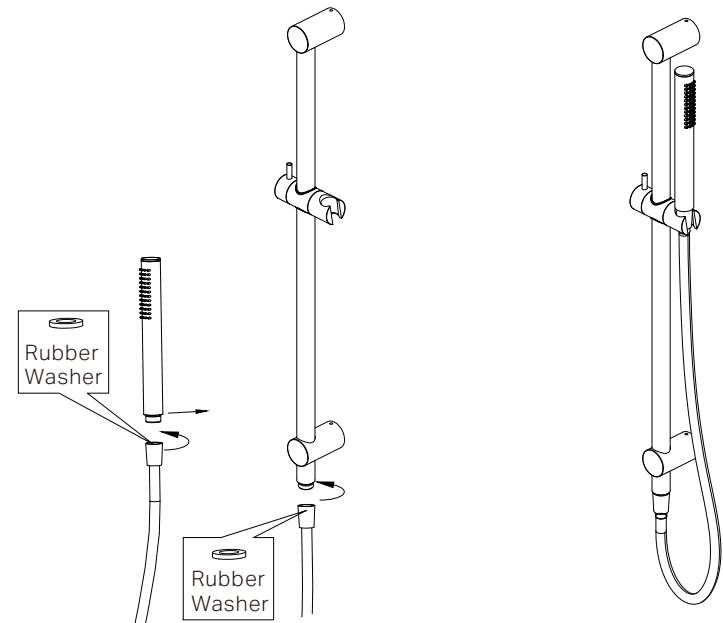
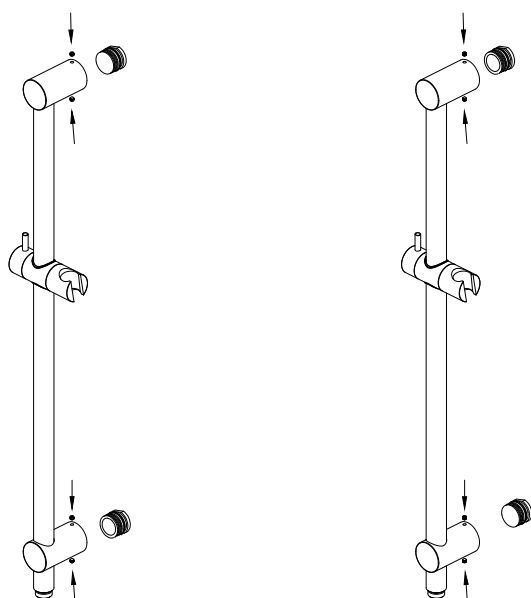


Top Water Inlet:



1. The water inlet connector can be installed on either the upper or lower mounting bracket, as shown in the figure above. Use a level to mark the drill points to ensure the back plates are aligned horizontally. Drill a 6mm holes at the marked points. Ensure the G1/2 outlet thread is the correct length, cut the outlet if required.

2. Wrap the G1/2 water outlet connection with Teflon tape to ensure a watertight seal. Screw the adapter onto the outlet. Push wall plug into drilled hole. Fit mounting pillar in place with screw. Tighten firmly.



3. Slide both top and bottom back plate onto the rail assembly, as shown on the picture.
4. Push shower rail assembly onto the wall/tile surface. Tighten grub screws firmly. Slide the back plates against the wall/tile face properly.

5. Connect hand shower with the hose and shower rail, ensuring rubber washers are present at both connections for leak prevention. Verify that each screw connection is securely tightened. Turn on the drainage system and water supply, and inspect all connections for any signs of leakage.

## MAINTENANCE AND CARE:

- Regularly check the shower system and all connections for signs of wear or leaks.
- Clean all shower components with mild soapy water to maintain their appearance, avoiding harsh chemicals and abrasive materials that may damage the finish.
- Descale the showerhead, hand shower, and other components periodically to prevent mineral buildup, which can affect water flow and performance.
- Inspect and replace any worn-out parts, such as seals or washers, to ensure the longevity and efficiency of the shower system.
- Ensure all moving parts, such as adjustable brackets or sliding rails, are functioning smoothly and are properly lubricated if necessary.

## FINAL INSPECTION:

- Ensure the shower operates smoothly and that there are no leaks at the connections.
- Verify that the water temperature and flow are consistent and as desired.
- Clean the area and the newly installed shower with a soft cloth to remove any installation residues.

# Nero

