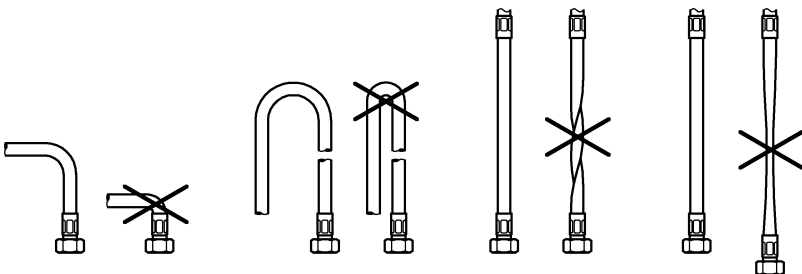
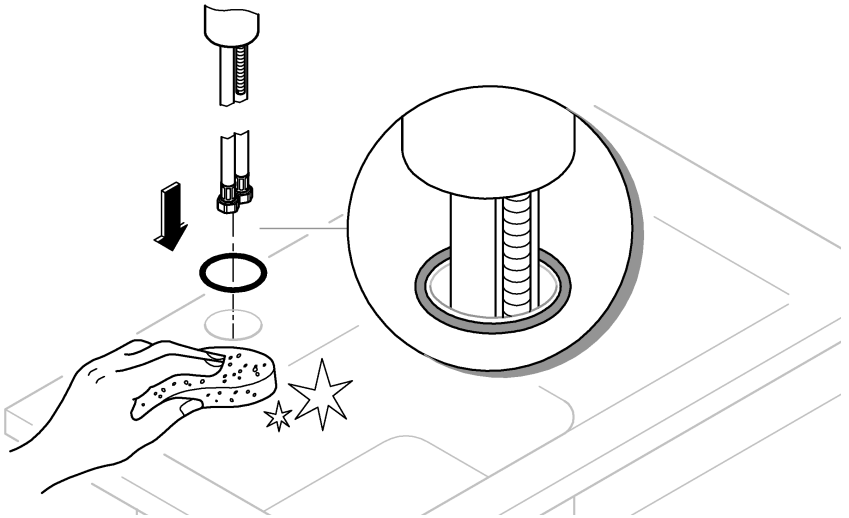
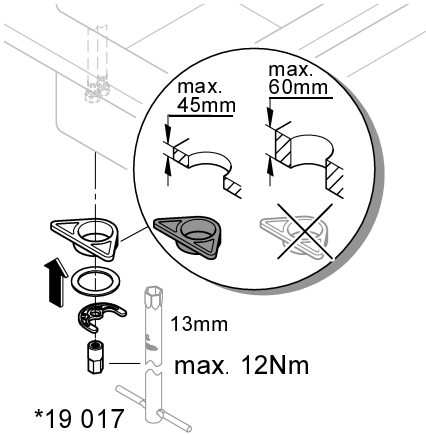


1

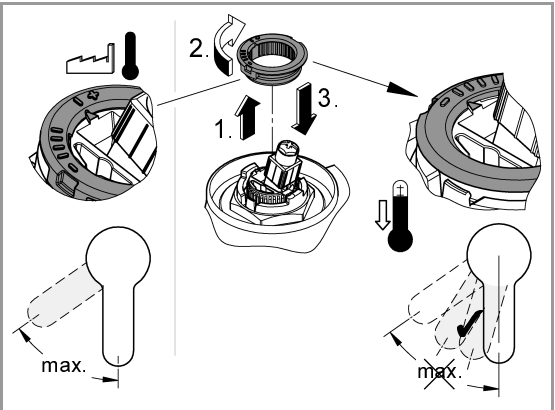
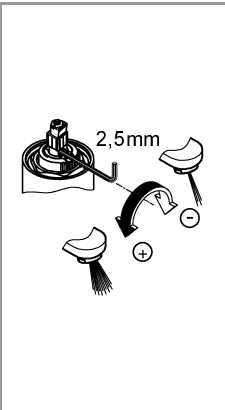
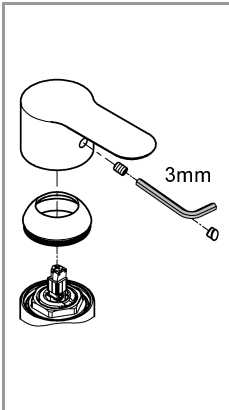
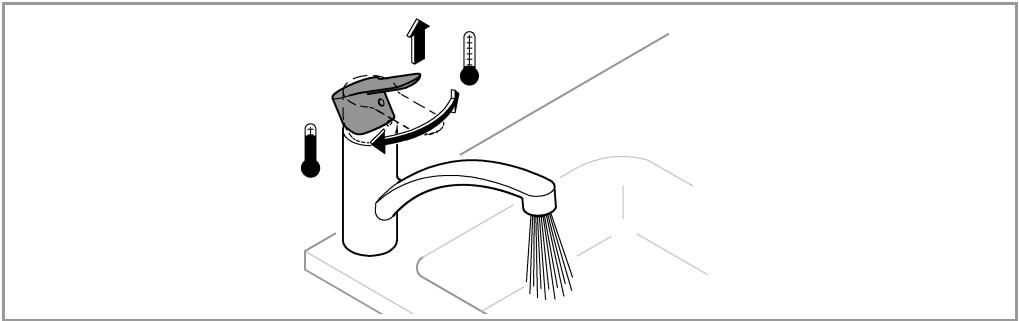
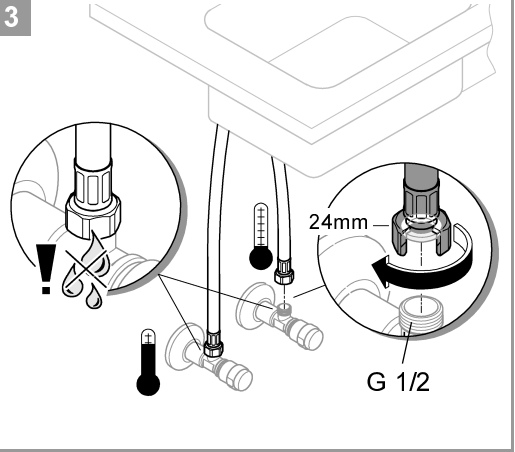




2

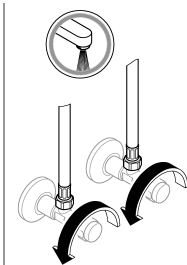
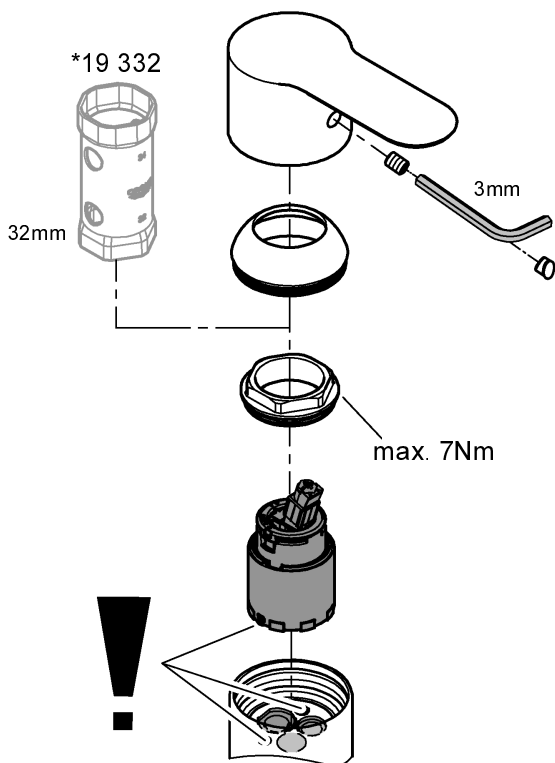
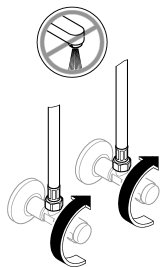
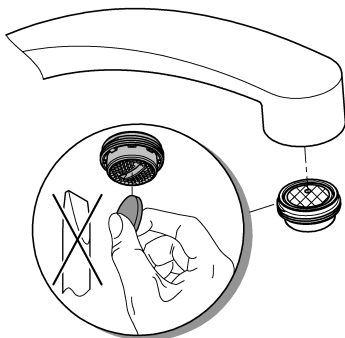


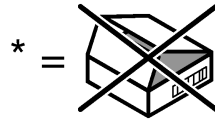
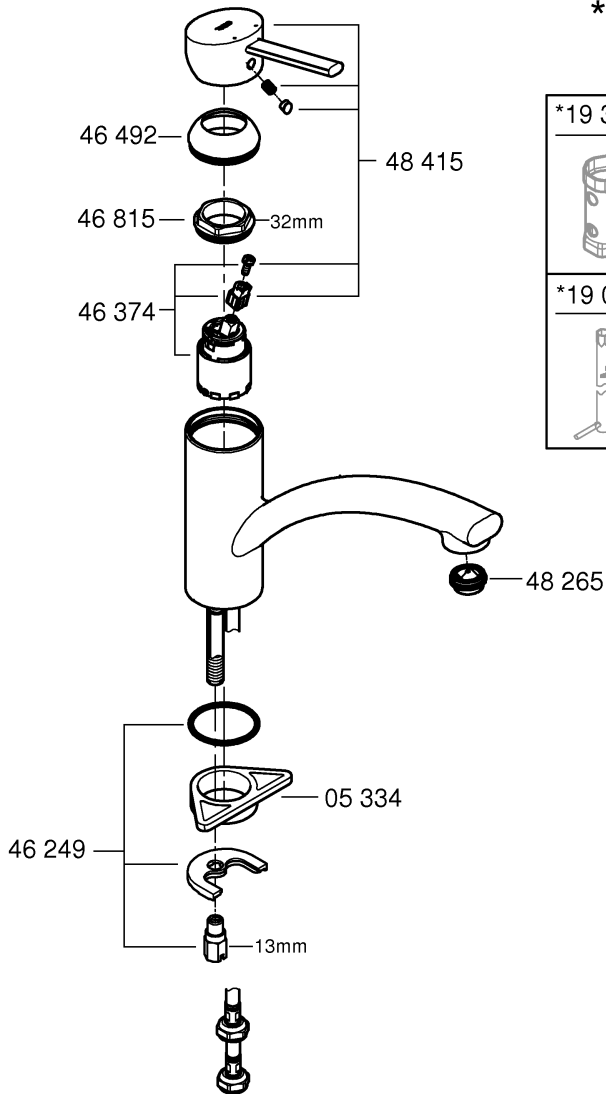
3





MAINTENANCE 





*19 332	32mm
*19 017	13mm

**Application**

- for kitchen

Can be used in conjunction with:

- Pressurised storage heaters
- Thermally controlled instantaneous heaters
- Hydraulically controlled instantaneous heaters

Operation with unpressurised storage heaters (open water heaters) is **not** possible.

**Specifications:**

- Flow pressure min. 50 kPa - recommended 100 - 500 kPa
- Operating pressure max. 1000 kPa
- Test pressure 1600 kPa

If static pressure is greater than 500 kPa, fit pressure reducer.

Avoid major pressure differences between hot and cold water supply.

- Temperature  
Hot water inlet: (maximum) 70 °C  
Recommended: (energy saving) 60 °C  
Thermal disinfection possible
- Water connection cold - right hot - left
- Max. clamping length max.60mm

**Open cold and hot-water supply and check connections for watertightness!**



**Check fitting for correct operation.**



**Flow rate limiter.**

This mixer is fitted with a flow rate limiter, permitting an infinitely individual variable reduction in the flow rate. The highest possible flow rate is set by the factory before despatch.

**The use of flow rate limiters in combination with hydraulic instantaneous water heaters is not recommended.**



**Temperature limiter** is inoperative on delivery.



**Maintenance**

Inspect and clean all parts, replace as necessary and grease with special grease.

**Shut off cold and hot water supply!**

**Replacing the cartridge.**

Assemble in reverse order.

**Observe the correct installation position!**

Make sure that the cartridge seals engage in the grooves on the housing. Screw in and tighten screwing.



**Replacement parts**

**Care**

For directions on the care of this fitting, refer to the accompanying Care Instructions.



**Installation**

**Flush piping system prior and after installation of fitting thoroughly (Consider EN 806)!**

This product must be installed in conformance with local codes e.g. AS/NZS 3500 series of standard!

**Installation and connection**, see Fig. [1] - [3].

The cold-water supply must be connected on the right and the hot-water supply on the left.

**Note:** If the support plate is omitted, the clamping length can be increased by 15mm, see Fig. [2].

