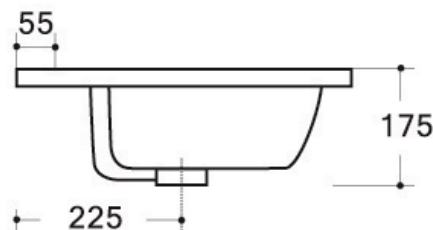
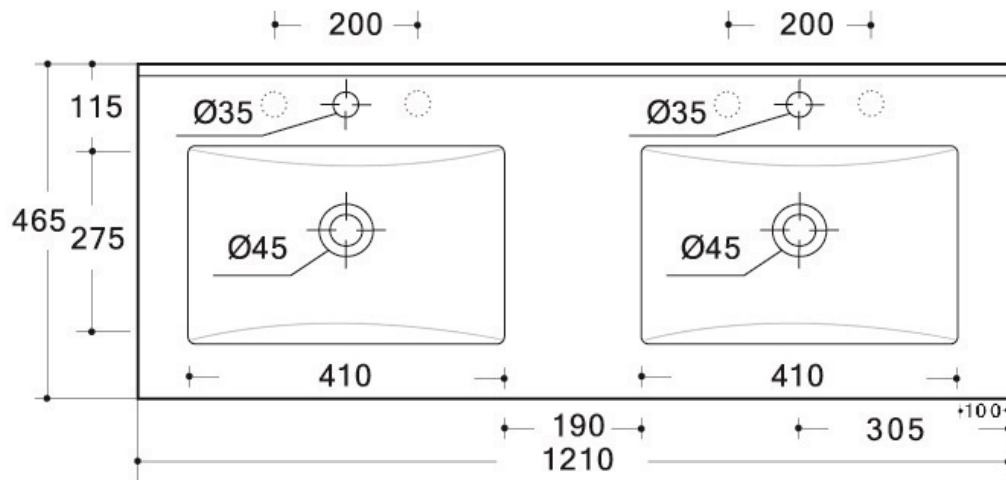


Rettangolo Ceramic Vanity Top with Overflow, Double, Gloss White, 1200mm, BS9120ED

Description: W1210*D465*H175mm
 Double Bowl
 Ceramic, Gloss White
 Net Weight: 29kg
 For 1200 wide double cabinet



SKU: BS9120ED



All measurements shown are in millimeters.
 Sizes are approximate.
www.renoarts.co.nz
 11 Jan 2024
 V.001