

General:

- Where a Hand Shower and/or Overhead Shower is fitted with a flow regulator the lower flow rate may not be suitable for the connection to some gravity fed Water Heaters, low pressure supply networks, Instantaneous Water Heaters, Tempering Valves, Solar Water Heaters & Thermostatic Mixing Valves. Check with the manufacturers of these products.
- Where showers incorporate flow controllers, care must be exercised during installation to ensure that the male connecting threads do not damage the flow controllers.

Methven warrants this product against manufacturing defects and that it is suitable for use under the general operating conditions specified in this instruction sheet. However, regional regulations apply and may affect your warranty. Please refer to www.methven.com or call customer service for full details.

New Zealand
0800 804 222

Australia
13 14 16

UK
0800 195 1602

IS 1924

ISSUE A

MINIMALIST MK2 SHOWER SYSTEM

Installation Guide

Technical Specifications:

Operating Pressure:

Min: 150kPa/1.5bar

Max: 1000kPa/10bar*

Optimum: 150kPa/1.5bar - 500kPa/5bar

Recommended installation of pressure limiting valve if supply exceeds 500kPa

Operating Temperature:

Hot: Max 80°C*

Cold: Min 5°C

Inlet Connections:

All ½" BSP

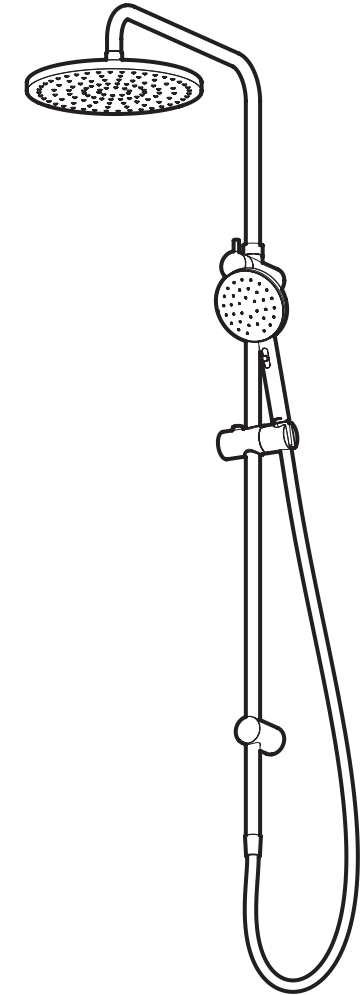
NOTE:

- After installation all connections must be checked for leaks
- All installations must be carried out in compliance with relevant water regulations*.

* Regional specific regulations apply.

Please refer to your warranty statement at

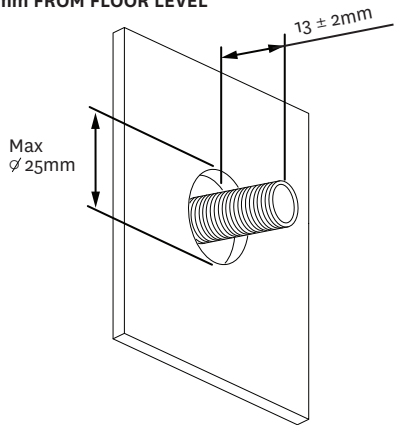
www.methven.com



METHVEN
www.methven.com

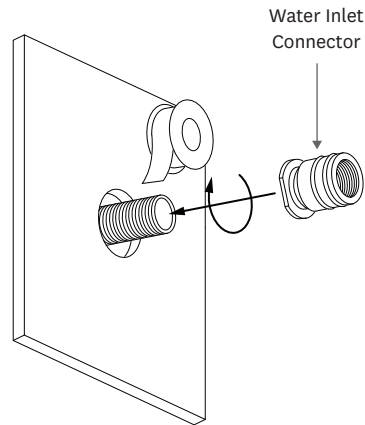
1.

WATER INLET: RECOMMENDED MINIMUM HEIGHT OF 1800mm FROM FLOOR LEVEL



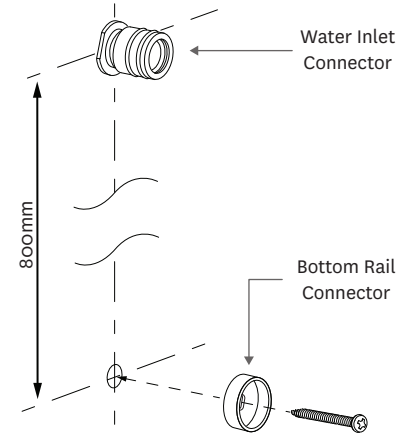
Install a ½" male threaded connection at the recommended height on wall, ensuring that a minimum of 10mm of thread protrudes past the finished wall.

2.



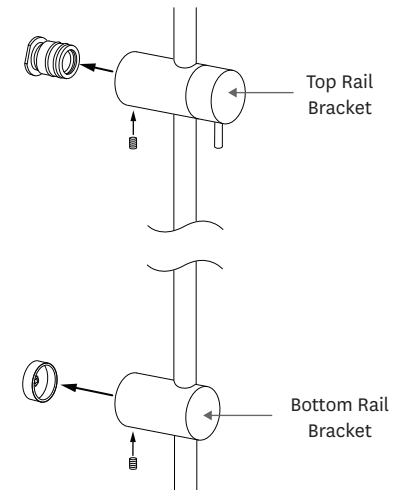
Apply thread tape (or similar) to the ½" connection, then screw the top rail connector to the connection.

3.



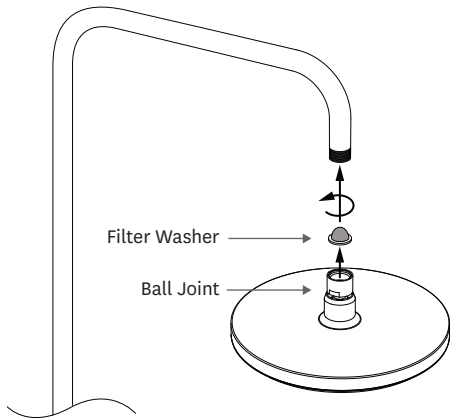
Screw the bottom rail connector to a wall stud making sure it is vertically in line with the top rail connector. Maximum centre distance between the top and bottom shower connections is 800mm.

4.



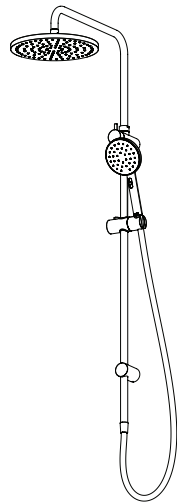
Check the grub screws are wound out. Push the rail brackets onto the top and bottom rail connectors until they are against wall. Secure with grub screws.

5.



Remove the protective cap from the showerhead ball joint and screw the unit onto the overhead arm ensuring the filter washer is in place.

6.

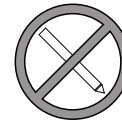


Make sure a washer is in both ends of the hose. Screw hose onto lower outlet on wet rail, attach handset and place firmly in holder. Tilt and rotate head to the desired position.

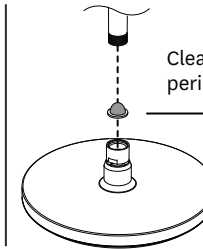
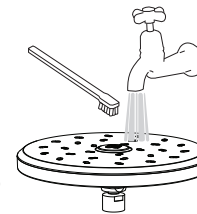
CLEANING

Water contains lime which remains on the surface after the water has evaporated. These lime deposits can be prevented from forming by wiping immediately after use.

To clean the chrome-plated surfaces use a soft cloth, soap and warm water. Never use cleaning agents that contain a corrosive acid or a scouring additive.



Do not use any sharp objects to clean nozzles



Clean filter washer periodically.

