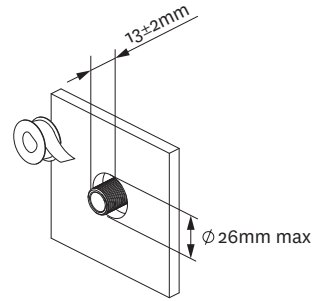


## Elbow Installation (if supplied):

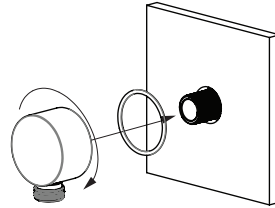
### Step 1

- Wall lining hole should be cut or finished as per the dimension shown in the diagram on the right.
- Cut off the threaded nipple  $13\pm 2\text{mm}$  from the wall lining and apply thread seal tape to ensure a good seal.



### Step 2

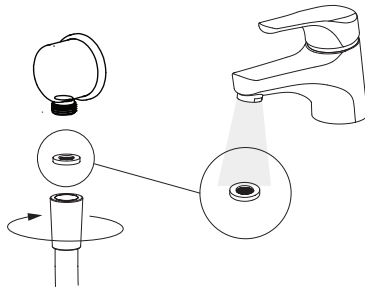
- Screw the elbow onto the nipple ensuring that the o-ring is sufficiently compressed to create a watertight seal.
- Ensure that the elbow is oriented vertically with the outlet oriented downwards.



## Care and Cleaning:

Never use abrasives or abrasive cleaning agents to clean this product. Clean regularly with contamination free warm soapy water and a damp soft cloth.

Periodically the filter washer should be removed from the end of the shower hose and cleaned.



Methven warrants this product against manufacturing defects and that it is suitable for use under the general operating conditions specified in this instruction sheet. However, regional regulations apply and may affect your warranty. Please refer to [www.methven.com](http://www.methven.com) or call customer service for full details.

New Zealand  
0800 804 222

Australia  
13 14 16

UK  
0800 195 1602

# ROUND RAIL Installation Guide

## Technical Specifications:

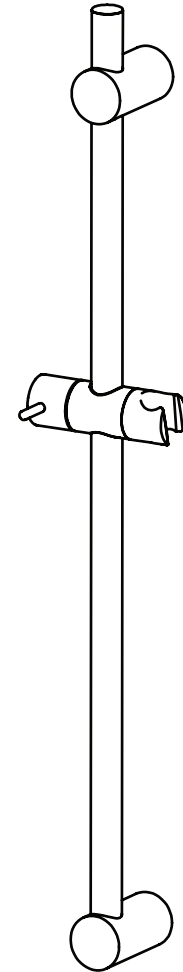
### Inlet Connections:

All  $\frac{1}{2}$ " BSP

*\* Regional specific regulations apply.*

*Please refer to your warranty statement at*

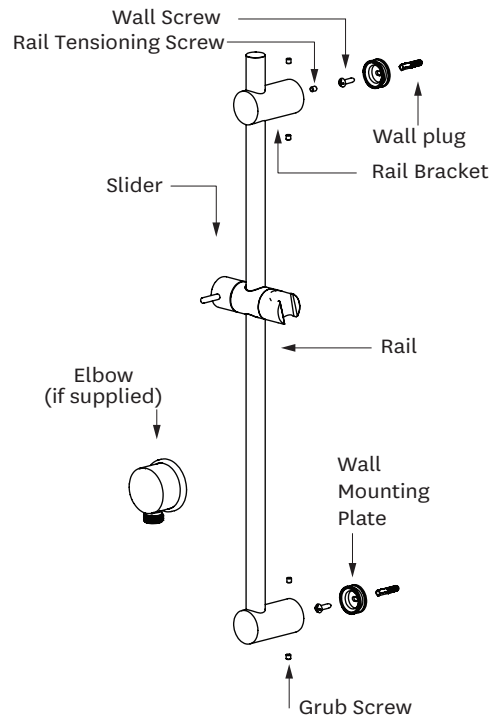
**[www.methven.com](http://www.methven.com)**



**IMPORTANT:** Please read all of the instructions before installation.

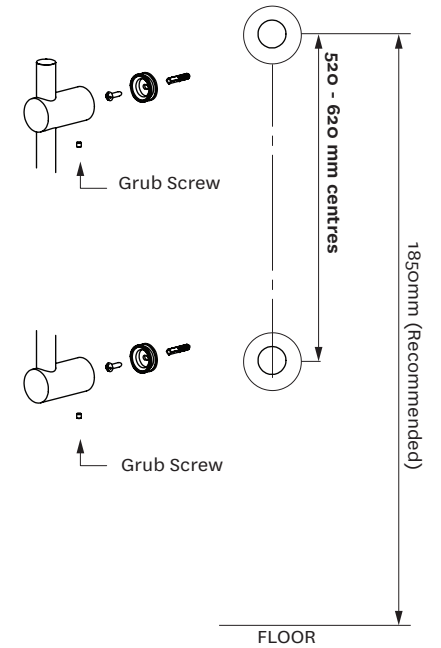
**General:**

- This product must be installed in compliance with all relevant regional regulations.
- It is the responsibility of the installer to ensure a waterproof seal is achieved between the product and mounting surface. If in doubt about the quality of the seal, remove the product and reinstall using silicone to ensure a seal is achieved.
- All pipe work must be thoroughly flushed prior to the installation of the hose.
- After installation all connections must be checked for leaks.
- All outlets used primarily for personal hygiene shall deliver water at a safe temperature as per regional regulations.
- Where a Hand Shower and/or Overhead Shower is fitted with a flow regulator the lower flow rate may not be suitable for the connection to some gravity fed Water Heaters, low pressure supply networks, Instantaneous Water Heaters, Tempering Valves, Solar Water Heaters & Thermostatic Mixing Valves. Check with the manufacturers of these products.
- Where showers incorporate flow controllers, care must be exercised during installation to ensure that the male connecting threads do not damage the flow controllers.



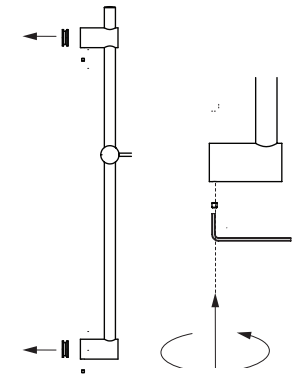
**Step 1**

- Mount the wall mounting plates in the desired position with the screws. Check the mounts are vertically aligned.



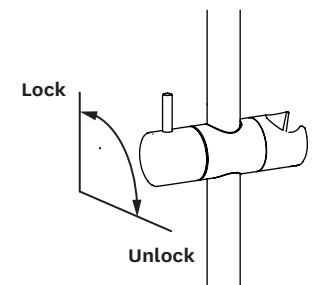
**Step 2**

- Set location of the upper rail bracket on the rail and loosely tighten the tensioning screw.
- Align the rail brackets to the wall mounting plates and push into place.
- Remove the rail and tighten the tensioning screw firmly.
- Replace the rail onto the wall mounting plates and tighten the upper and lower grub screws.



**Step 3**

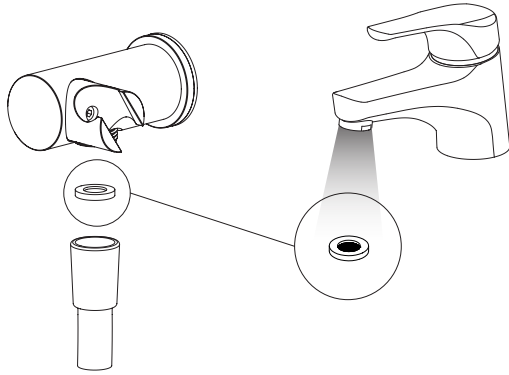
- To adjust slider position, rotate the slider handle to unlock and lock the slider as shown.



### Care and Cleaning:

Never use abrasives or abrasive cleaning agents to clean this product. Clean regularly with contamination free warm soapy water and a damp soft cloth. Thoroughly rinse with clean water and wipe dry. Limescale deposits on the product can be avoided by wiping dry immediately oafter use.

Periodically the filter washer should be removed from the end of the shower hose and cleaned.



# MINIMALIST MK2 WALL OUTLET BRACKET

## Installation Guide

### Technical Specifications:

#### Operating Pressure:

Min: 150kPa/1.5bar - 500kPa/5bar

Max: 1000kPa/10bar\*

Optimum: 150kPa/1.5bar - 500kPa/5bar

#### Operating Temperature:

Hot: Max 80°C\*

Cold: Min 5°C

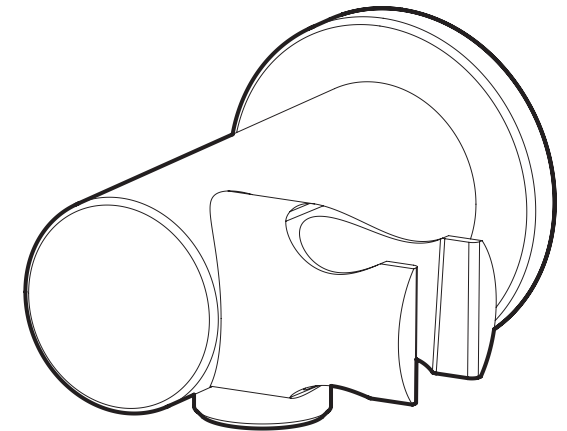
#### Inlet Connections:

All ½" BSP

\* Regional specific regulations apply.

Please refer to your warranty statement at

[www.methven.com](http://www.methven.com)



Methven warrants this product against manufacturing defects and that it is suitable for use under the general operating conditions specified in this instruction sheet. However, regional regulations apply and may affect your warranty. Please refer to [www.methven.com](http://www.methven.com) or call customer service for full details.

New Zealand  
0800 804 222

Australia  
13 14 16

UK  
0800 195 1602

IS 1925

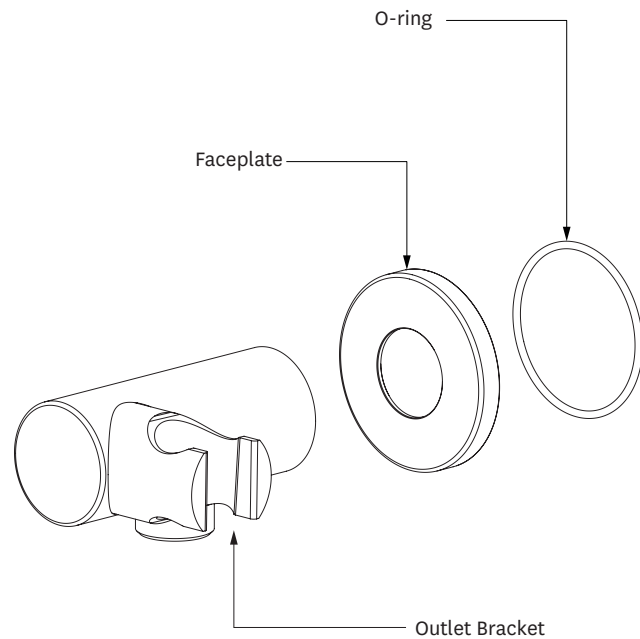
ISSUE A

**METHVEN**  
[www.methven.com](http://www.methven.com)

**IMPORTANT:** Please read all of the instructions before installation.

### General:

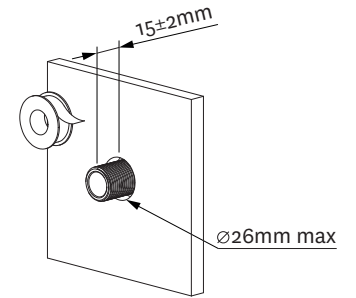
- Methven recommends this product is installed by a licensed plumber in compliance with all relevant regional regulations.
- After installation all connections must be checked for leaks.
- All outlets used primarily for personal hygiene shall deliver water at a safe temperature as per regional regulations.
- It is the responsibility of the installer to ensure a waterproof seal is achieved between the product and mounting surface. If in doubt about the quality of the seal, remove the product and reinstall using silicone to ensure a seal is achieved.
- Where a Hand Shower and/or Overhead Shower is fitted with a flow regulator the lower flow rate may not be suitable for the connection to some gravity fed Water Heaters, low pressure supply networks, Instantaneous Water Heaters, Tempering Valves, Solar Water Heaters & Thermostatic Mixing Valves. Check with the manufacturers of these products.
- Where showers incorporate flow controllers, care must be exercised during installation to ensure that the male connecting threads do not damage the flow controllers.



**IMPORTANT:** Before you begin, turn off the water supply.

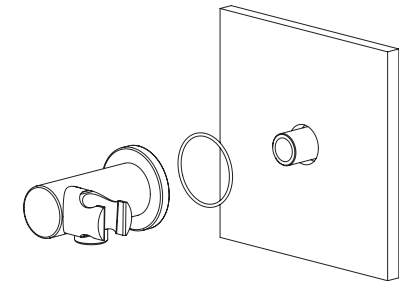
### Step 1

- Wall lining hole should be cut or finished as per the dimension shown in the diagram on the right
- Cut off the threaded nipple 15±2mm from the wall lining and apply thread seal tape to ensure a good seal.



### Step 2

- Insert o-ring into the groove in the trim ring and slide the trim ring and faceplate over the nipple.
- Secure faceplate in place by screwing the inlet connector onto the nipple.



### Step 3

- Connect hose to outlet bracket and handset.
- Ensure swivelling cone is connected to the handset.

