

MINIMALIST MK2 PULL DOWN SINK MIXER

Installation Guide

Technical Specifications:

Operating Pressure:

Min: 150kPa/1.5bar

Max: 1000kPa/10bar*

Optimum: 150kPa/1.5bar - 500kPa/5bar

Operating Temperature:

Hot: Max 80°C*

Cold: Min 5°C

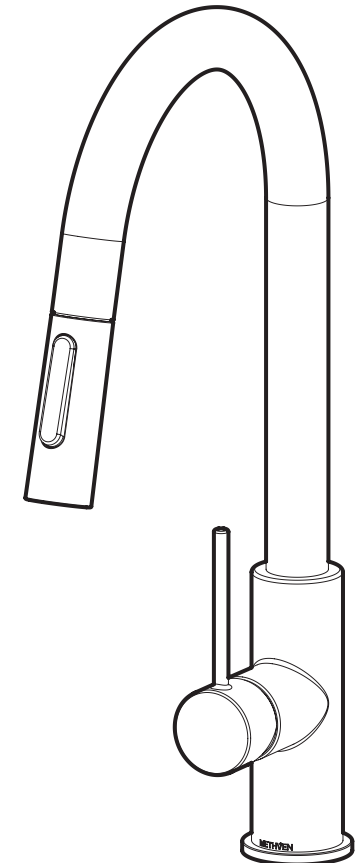
Inlet Connections:

All ½" BSP

* Regional specific regulations apply.

Please refer to your warranty statement at

www.methven.com



Care and Cleaning:

Never use abrasives or abrasive cleaning agents to clean this product. Clean regularly with contamination free warm soapy water and a damp soft cloth.

Methven warrants this product against manufacturing defects and that it is suitable for use under the general operating conditions specified in this instruction sheet. However, regional regulations apply and may affect your warranty. Please refer to www.methven.com or call customer service for full details.

New Zealand
0800 804 222

Australia
13 14 16

UK
0800 195 1602

IS 1911

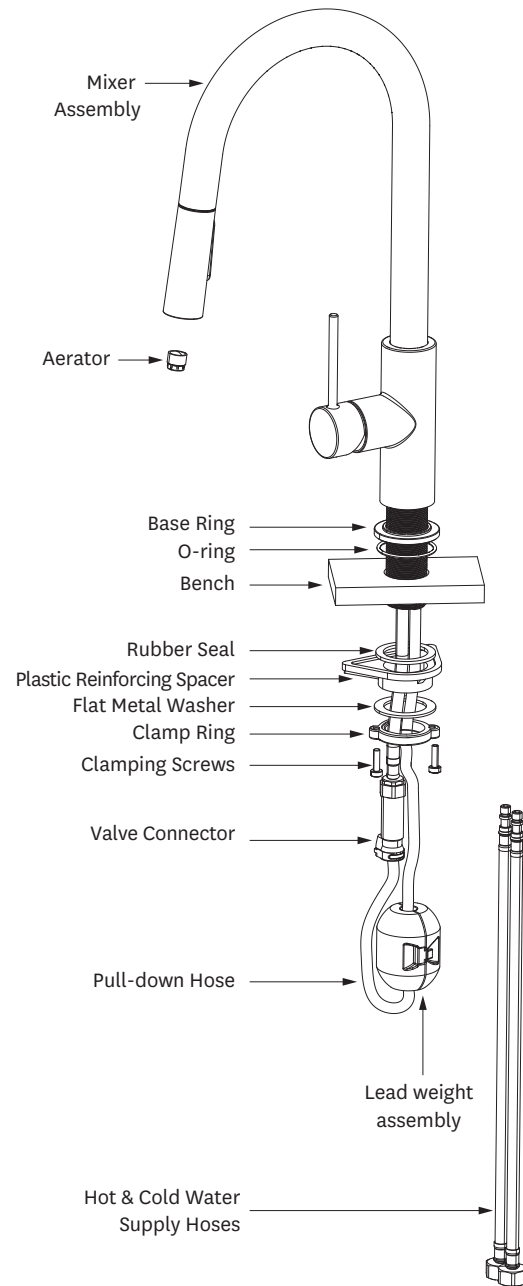
ISSUE A

METHVEN
www.methven.com

IMPORTANT: Please read all of the instructions before installation.

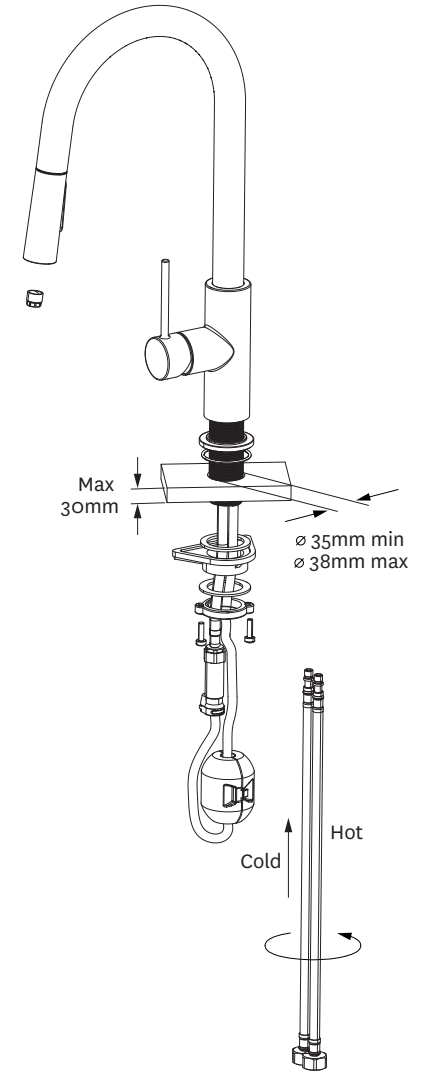
General:

- Methven recommends this product is installed by a licensed plumber in compliance with all relevant regional regulations.
- Do not hydrostatic test the installation with this mixer installed. Damage to the ceramic cartridge may occur.
- All pipe work must be thoroughly flushed prior to the installation of the mixer.
- In-line filters must be fitted on both hot and cold supplies to prevent foreign particles damaging the ceramic cartridge.
- Do not remove the ceramic cartridge from the mixer when installing.
- After installation all connections must be checked for leaks.
- All outlets used primarily for personal hygiene shall deliver water at a safe temperature as per regional regulations.
- This mixer is not recommended for use in uncontrolled heating systems such as wet-backs or solar heating units unless a suitable tempering valve is fitted.
- If limited water flow is experienced, locate aerator and filter washers and clean away foreign material as required.
- It is the responsibility of the installer to ensure a waterproof seal is achieved between the product and mounting surface. If in doubt about the quality of the seal, remove the product and reinstall using silicone to ensure a seal is achieved.

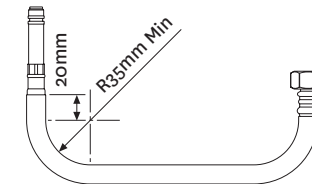
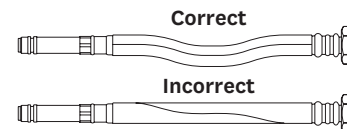


Installation:

1. Cut a 35mm diameter hole through the bench top. Maximum bench thickness is 42mm.
2. From the fixing pack, fit the O-ring into the base of the base ring and fit assembly to the threaded tube until the base ring contacts the underside of the body.
3. Fit mixer to bench top starting by threading the hoses through the hole first.
4. Once mixer is positioned correctly, from the underside of the bench, fit the rubber seal followed by the metal washer until they contact the underside of the deck. Screw the clamp ring onto the threaded tube until it contacts the flat washer. Equally tighten the three clamp screws until the mixer is firmly clamped to the deck. **DO NOT OVERTIGHTEN. Note:** If mounting to thin deck materials such as a stainless-steel sink, then the plastic reinforcing spacer should be used between the rubber seal and the flat washer for added rigidity.
5. Apply lubrication (silicon grease or approved equivalent) to O-rings of hot (red) and cold (blue) water flexible hoses. Screw hot water inlet hose (red) into the port on the underside of the mixer body indicated with a red dot. Screw cold water supply hose into the remaining port.
6. Screw the valve connector onto the outlet tail and hand tighten. Insert pull down hose spigot, with O-ring fitted, into the valve connector until it "clicks" into place. Fit the lead weight onto the lowest part of the spray hose loop by separating the two halves of the weight, positioning them over the hose and screwing them together to secure the weight in place.
7. Connect the hot and cold hoses to the pre-flushed supply connections. Turn on water supplies and check installation for leaks.



Do not stretch or twist hose



DO NOT crush hose or swaged ends