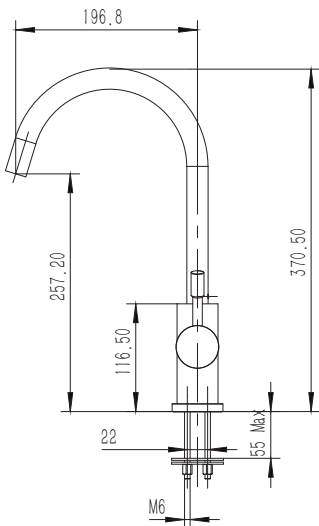


MINIMALIST GOOSENECK SINK MIXER



CONSTRUCTION: Stainless Steel & brass

CARTRIDGE TYPE: Ceramic

CLASSIFICATION: Suitable for all pressure systems

CONNECTIONS: 1/2" BSP Female

WORKING PRESSURE: 35 - 500kPa

DIMENSIONS FOR FITTING: Ø34 - 36mm diameter hole

OPERATING TEMPERATURE: 5 °C - 80 °C

- Constructed from 304 Stainless Steel
- Brushed finish
- Bench thickness max 40mm
- Inlet stainless steel flexible hoses
- Easy swivel spout, 360° rotation
- Suitable for all pressure
- 5 Star WELS rated on mains pressure (6.0 l/m)
- 6 Star WELS rated on low pressure (3.5 l/m)
- Comes with both a round and minimalist handle in the box

MMKGNSS

Stainless Steel