

Quick Guide

NOTE: This product must be installed by a qualified installer.

1. Determine The Placement Of The Unit

- Ensure clearance to joists, beams etc. in ceiling
- Check the path of the duct in the ceiling
- Use the cutout template in the top flap of the product carton

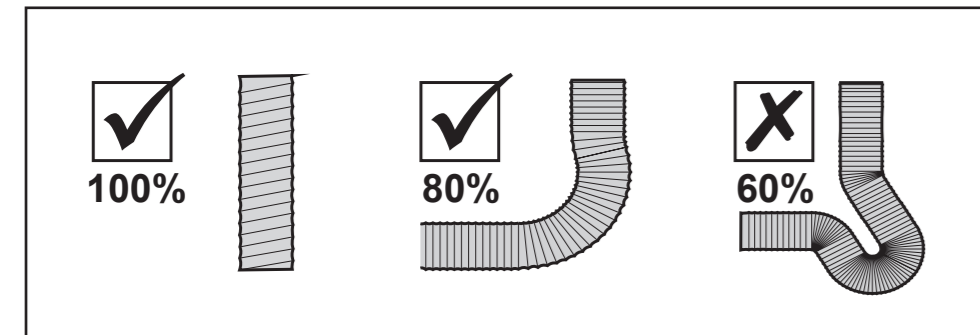
Cutout Dimensions: 332 mm x 462 mm

2. Install Standard Wall Switch and Wiring

- Connect unit as per wiring diagram.
- Wiring of the unit is designed so that the LED and Heat cannot operate at the same time

3. Ducting

- Select and cut duct outlet location
- Ensure ducting is pulled taut before cutting and installing outlet grille
- Avoid bends and kinks as this will reduce the extraction performance



4. Install unit and test

- Assemble outlet and tape to duct. Connect to unit.
- Load fully connected unit into ceiling cavity
- Install lamps and fascia

Safety

Read through these instructions completely before commencing installation.



- **When installed, the Tastic appliance shall, under no circumstance, be covered with insulating material or similar material.**
- **This Tastic unit must be installed horizontally in the ceiling.**
- **There is no IP rating on this IXL Tastic Ovation.**
- **To prevent overheating do not place any object within 1 metre of heat lamps.**

NOTE: This product must be installed by a qualified installer. Locate the Tastic in accordance with the requirements of the current Australian/New Zealand Wiring Rules AS/NZS 3000 relating to damp situations. In some installations this may mean that no part of these Tastic may be located directly above any part of a bath or shower recess or enclosure.

For unenclosed showers refer to Wiring Rules conditions. Switches and other controls must not be located where they can be touched by a person in the bath or shower.

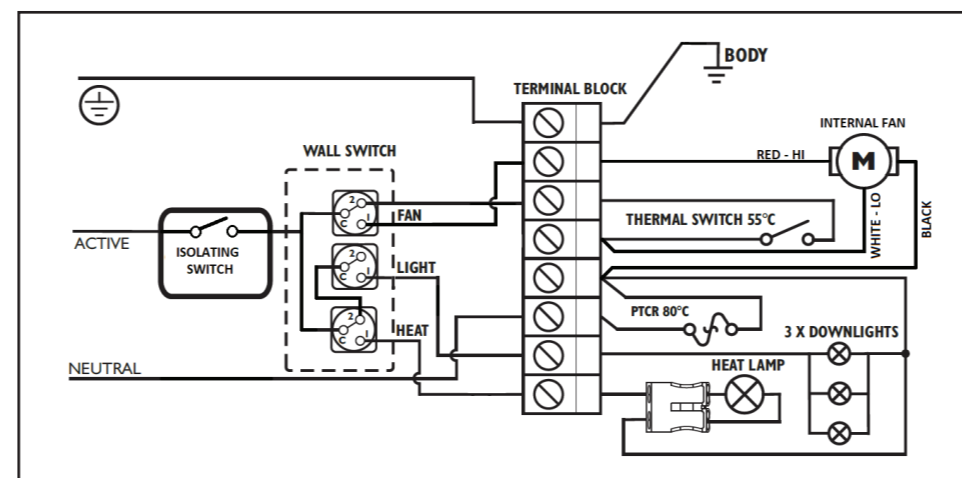
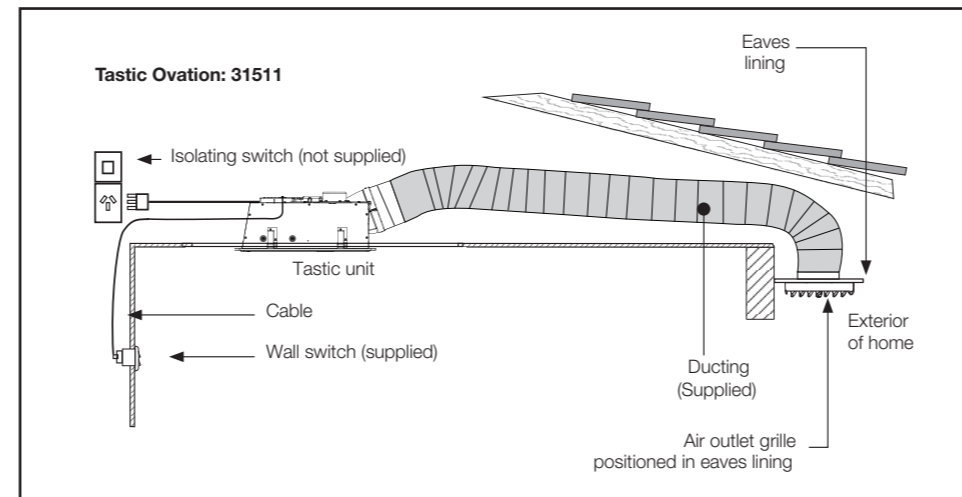
- Tastic products are not tanning lamps.
- Do not operate this appliance without the fascia or glass panels in position.
- This appliance is not intended for use by persons (including children) with reduced physical, sensory or mental capabilities, or lack of experience and knowledge, unless they have been given supervision or instruction concerning use of the appliance by a person responsible for their safety.
- Young children should be supervised to ensure they do not play with the appliance.
- This appliance must be mounted with the lowest point at least 2.2 metres from the floor.
- This appliance must not be mounted immediately below a socket outlet.
- Regulations concerning the discharge of air have to be fulfilled.

WARNING: Curtains or combustible material may ignite if in contact or close proximity with the heater.



In order to avoid a hazard due to inadvertent resetting of the thermal cut out, this appliance must not be supplied through an external switching device, such as a timer, or connected to a circuit that is regularly switched on and off by the utility.

Connection



A local isolating switch (not supplied) must be incorporated in the fixed wiring to the appliance to allow disconnection of supply during maintenance.

The Tastic Ovation is classified as a Room Heater and as such: In accordance to AS/NZS 3000 this isolating switch shall be - (a) installed immediately adjacent to an entrance to, or within, the room where the room heater is located; or (b) installed on the switchboard at which the room heater final subcircuit originates.

Refer to AS/NZS 3000 for further regulations regarding isolating devices.

Approved by the appropriate electrical supply authorities.

Part number: 611059 A



New Zealand
Free Call: 0800 727 421
Australia
www.klappiances.com.au

For comments, questions or warranty matters:
IXL Home Pty Ltd
Australia
www.klappiances.com.au
IXL TASTIC and OVATION
are registered trademarks of
Alver Pty Ltd in Australia and
New Zealand used under
license by IXL Home Pty Ltd.
© Copyright IXL Home, 2021

IXL
since 1858

Installation Guide

tastic
OVATION

Model: 31511 Tastic Ovation



Electrical rating: 230~240 V. 50 Hz.

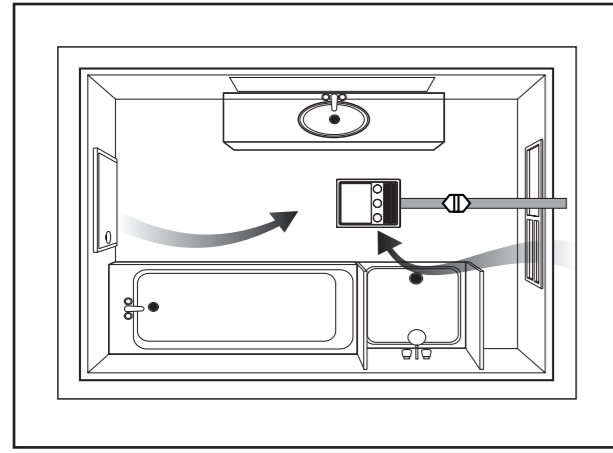


Fig 1. Ideal placement of Tastic.

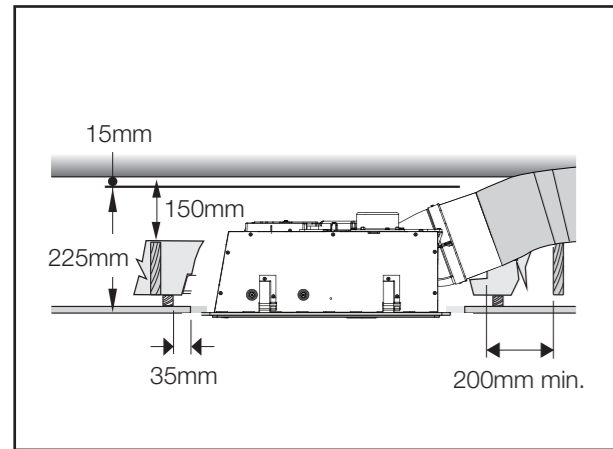


Fig 2a. Minimum clearances for installation.

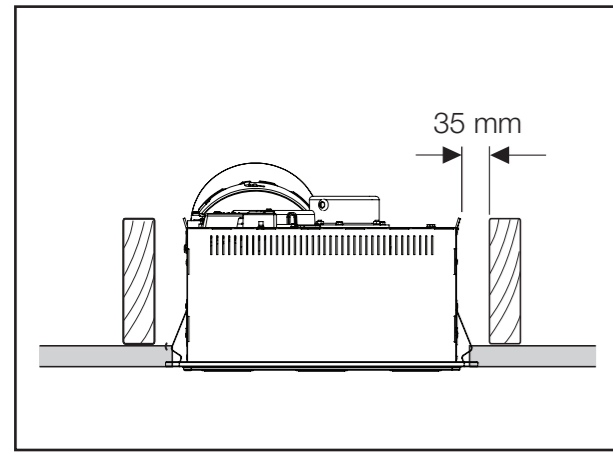


Fig 2b. Minimum clearances to joist.

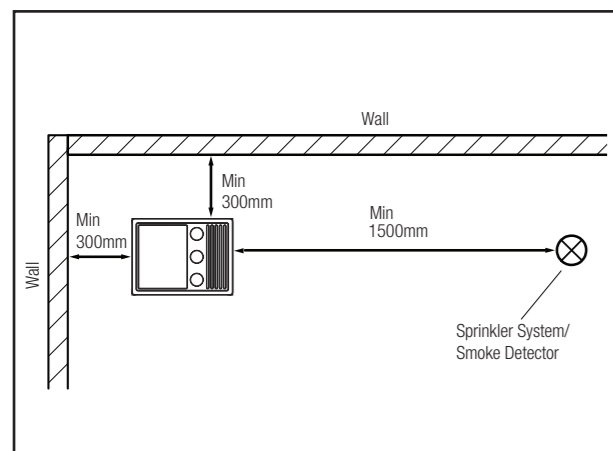


Fig 3. Ceiling to wall clearances

Ventilation Requirements

For maximum efficiency and fan performance there are a few key points to keep in mind when installing your Tastic.

Sufficient air inlet into room

Steam will only be removed if there is sufficient flow of air through the room.

Ensure adequate inlets exist through windows, vents or under the door.

Airflow path from inlet to fan should ideally pass over the steam sources (see Fig.1).

Bathrooms which have high ceilings, are larger than average, or have an open shower may all require additional ventilation to be installed.

We recommend that you visit our website for further details and suggestions on effectively ventilating your bathroom.

Clearances

Minimum internal ceiling clearances

- from ceiling to lowest point of ceiling cavity: 240mm (to maintain minimum 15mm clearance) (Fig 2a).

- from top of ceiling joists to ceiling cavity: 150mm (duct diameter) (Fig 2a).

If the desired orientation of the Tastic unit directs the ducting towards a ceiling joist, ensure that the closest ceiling joist is not within 200 mm of the Tastic outlet. (Fig 2a). (Ensure that the outlet of the Tastic is directed towards the outer wall)

Clearance to joists or battens (all around unit): min 35mm (Fig 2b).

Minimum ceiling height is 2.2m.

Recommended maximum ceiling height :2.7m

Exhaust Fan Capacity 396m³/h

Recommended Room Size

Single Area Suitability:
8.3m² with shower / 20m² without shower

Based on standard 2.4m ceiling height

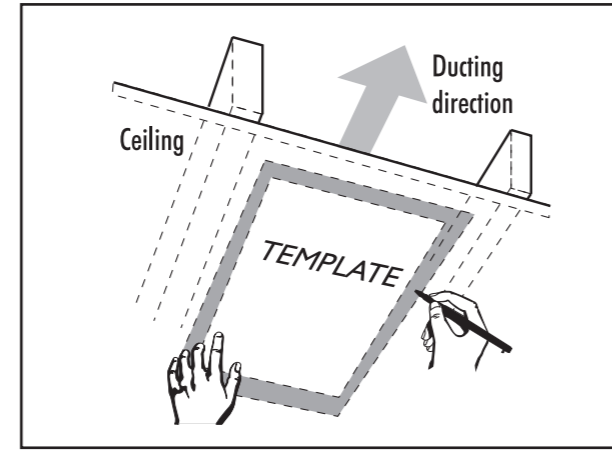


Fig 4. Use template to mark position of Tastic

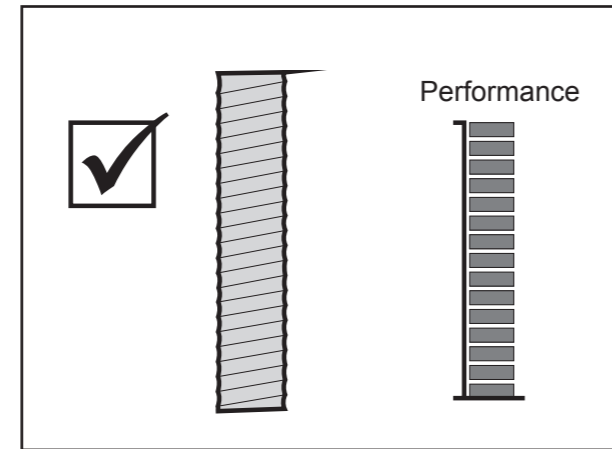


Fig 5. Straight ducting

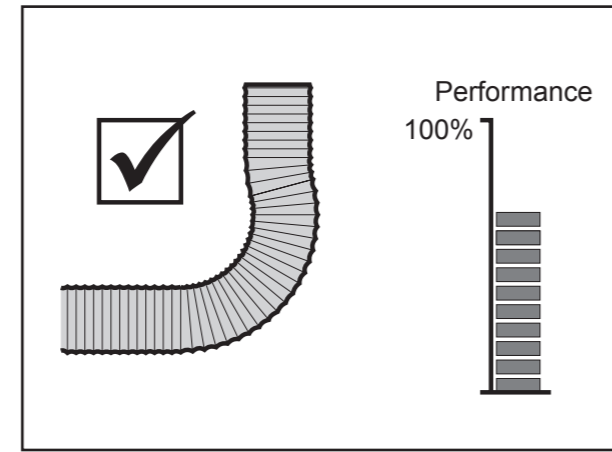


Fig. 6. Gradual bends, ducting stretched straight.

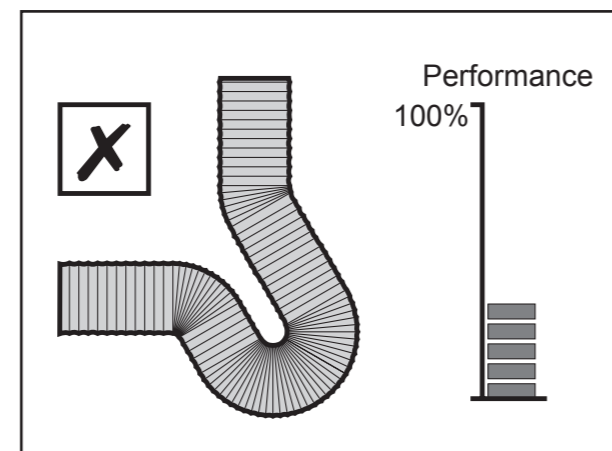


Fig. 7: Tightly compressed bends

Installation

Install between Joists (Fig. 4)

IMPORTANT: Joists, beams and rafters shall not be cut or notched to install the appliance.

The Tastic Ovation has a weight of 5.5 kg. If adequate support is not available for the Tastic, it may be necessary to provide extra strengthening.

If ceiling battens have been cut to install this then ensure that the cut ceiling battens are adequately secured to rafters.

NOTE: This product must be installed by a qualified installer.

1. Cut out hole for Tastic body

After determining the location of components according to the directions, mark out and cut aperture in ceiling for Tastic Ovation unit using this template. Trim the template to the dashed cut line.

Cutout Size: 332 mm x 462 mm

2. Ducting

Determine the minimum length of ducting required to outside exhaust vent by keeping the duct length as short as possible the exhaust performance is maximised. Refer to Fig's 5-7.

Note: These products have been designed to suit 150mm dia. ducting.

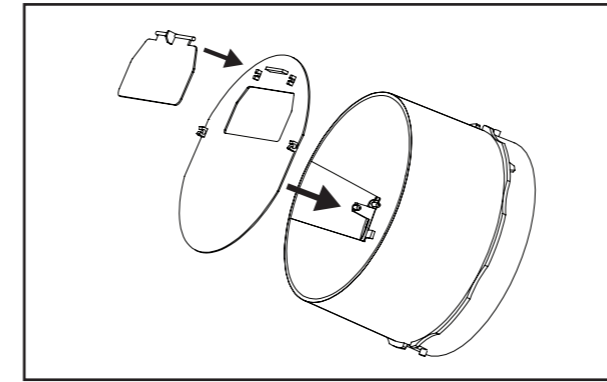


Fig 8.

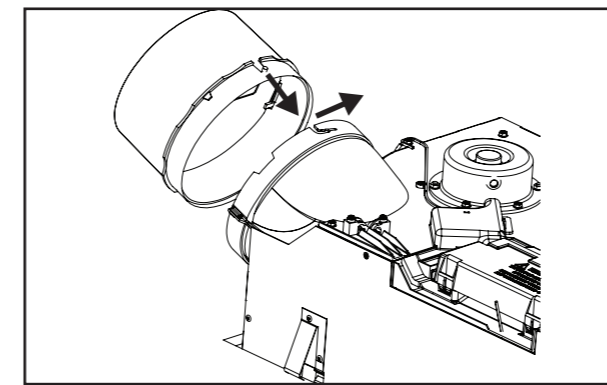


Fig 9.

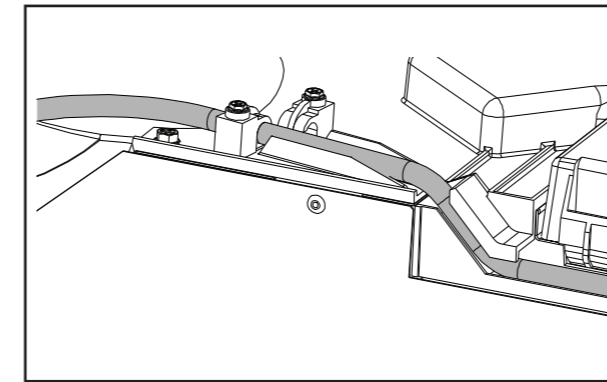


Fig 10.

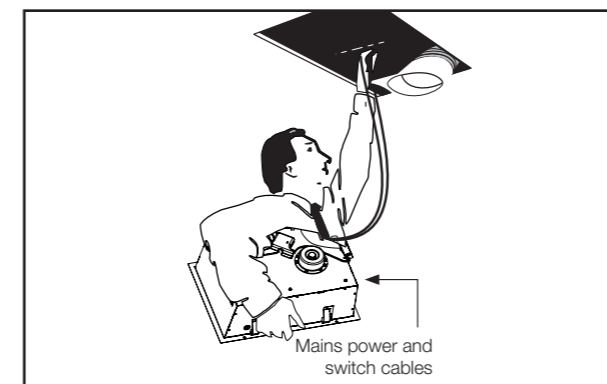


Fig 11.

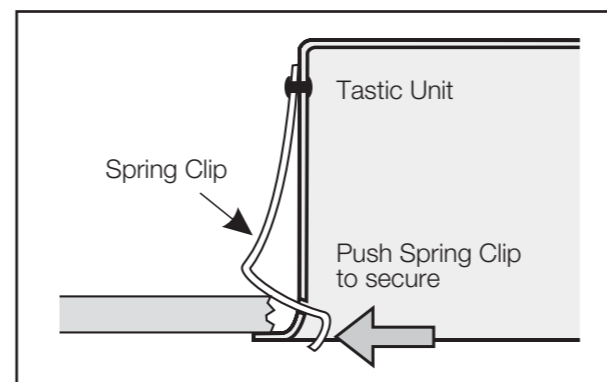


Fig 12.

Installation

Installing the Ducting

NOTE: The fan outlet is assembled to the Tastic Ovation during final assembly before mounting into the ceiling.

1. Install the backdraft flaps into the removable duct outlet (Fig. 8)
2. Tape the duct onto the long end of the outlet.
3. Feed ducting through hole in ceiling. Directing it towards the installation position of the outlet grille.

Installing The Unit

1. Complete the wiring
 - Open the terminal cover and connect wiring to terminal block as per the wiring diagram on reverse of this page.
 - Route the wiring from the terminal block along the guides and clamp under the plastic nipper to aid installation (Fig. 10).
2. Clip outlet with duct attached to the Tastic body - Engage locking pins and twist to lock (Fig. 9).

Ensure that the ducting taped to the outlet is not dislodged in the process.

3. Push the body into the aperture, allowing the metal springs to snap open to retain the unit in the ceiling.

As the Tastic is raised into ceiling, ensure electrical cables are in a safe position. (Fig 11).

4. To secure the unit in position, push lower ends of springs apart (Fig 12).

Fit LED Lights

5. Connect all of the LEDs to the globe holders attached to the Ovation unit.

6. Lift the fascia up to the unit and clip the LEDs into the recesses on the back of the fascia. There are 2 tabs in each recess to clip into. (Fig 13).

7. Once all the LEDs are secure in the fascia, push the fascia firmly up into position in the body. Ensure the fascia is in contact with the ceiling all around the unit. (Fig 14).

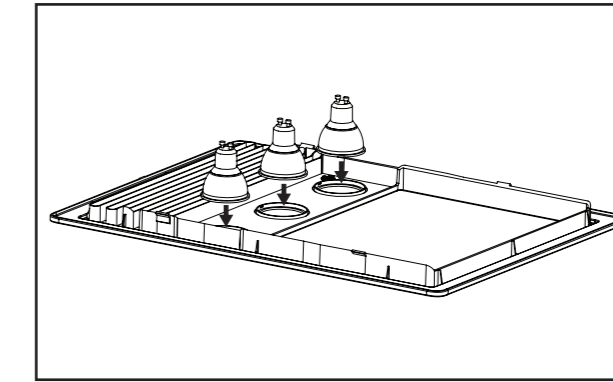


Fig 13.

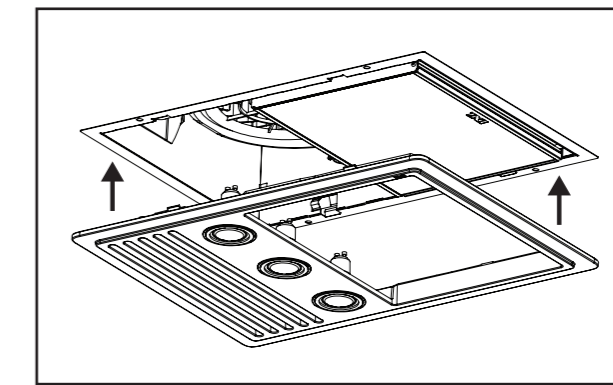


Fig 14.

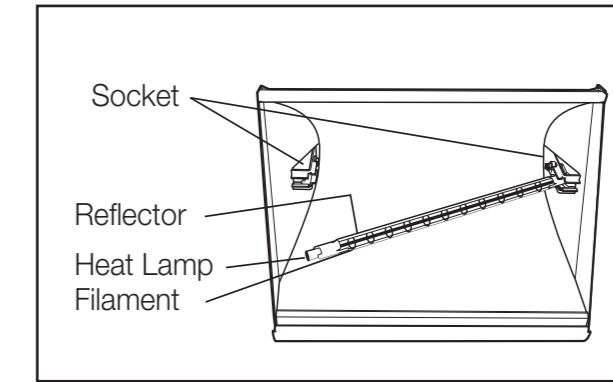


Fig 15.

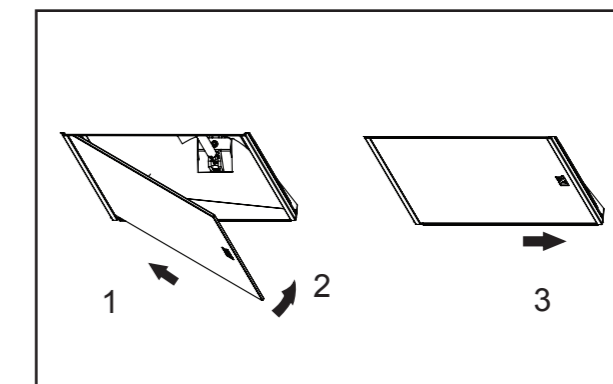


Fig 16.

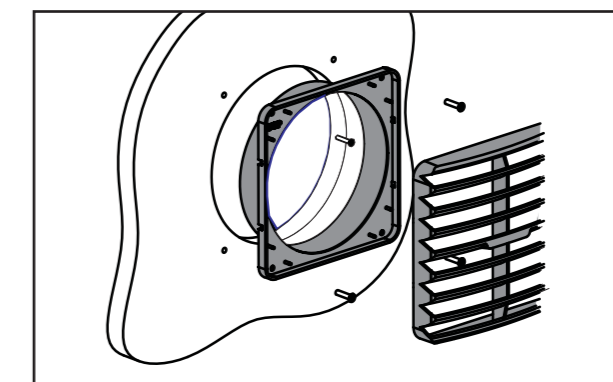


Fig 17.

Installation

Fit Heat Lamps

NOTE: Natural skin oils and salts damage new halogen lamps and shorten their life. Only handle a new heat lamp with soft, dry, clean, lint-free cloth or paper. You can wear gloves, cover your fingers or wrap the heat lamp until it is installed (so long as you remove all cloth or paper when finished). If your skin touches a new heat lamp, wipe it gently with alcohol-moistened cloth or paper.

1. The heat lamp is half coated with a white reflector. When you grasp the heat lamp, face the back of the reflector to the ceiling (so you can see the heat lamp's filament). Not doing this will reduce performance. (Fig. 15)

2. Fit one end of the heat lamp into a socket and gently push it away from the other socket.

3. When there is enough room, fit the other end of the heat lamp into its socket.

4. Gently rotate the heat lamp to ensure it is correctly seated (i.e. it looks like the old one did before you removed it).

5. Switch the power on and test the heat lamp.

6. Fit the glass sheets to the heat lamp reflector bodies (Fig. 16).

Step 1.
Insert the glass into the opening of the heat unit nearest the lights.

Step 2.
Lift the glass into the opening on the other side.

Step 3.
Slide the glass across so that it drops into position.

7. Turn on the power at the isolating switch and check operation of the Tastic.

Installing the external Grille

1. Cut a hole 160 mm in diameter in eaves or outer wall.

2. Feed ducting out through this hole and trim length (if required) to prevent kinks in the duct per previous instructions.

3. Tape to the circular outlet on the grille baseplate and feed the ducting back through the hole so that the grille base is against the eaves or outer wall.

4. Fix grille base with four 6 G screws and snap fit the grille louvres over the grille base. (Fig. 17).