

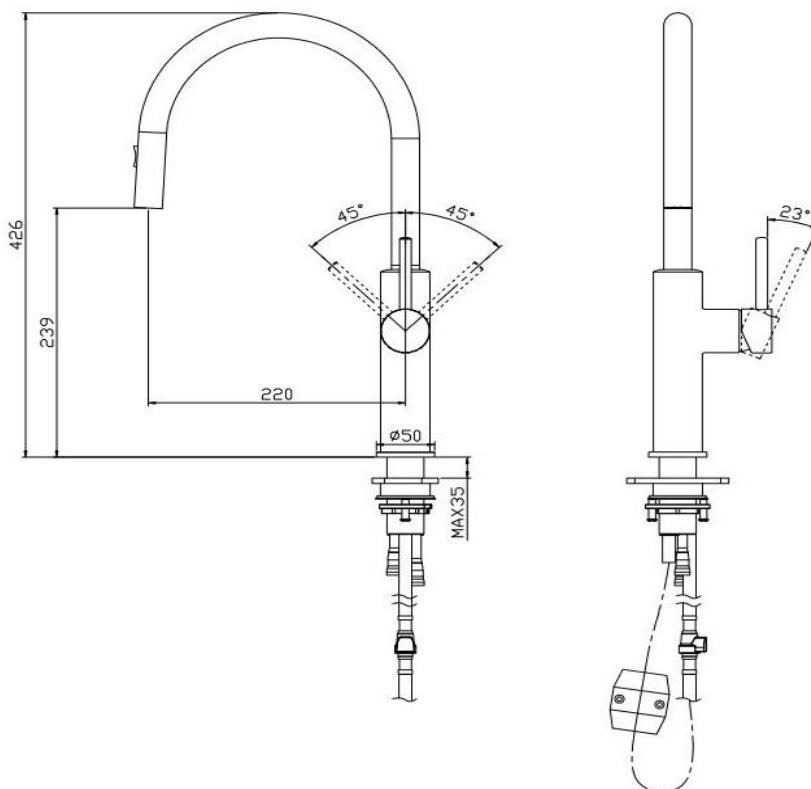
# Pioneer Extractable Kitchen Mixer



FWK20121MB

Pioneer Extractable Kitchen Mixer Matte Black

Lead free stainless steel extractable kitchen mixer in a matte black plated finish  
 Swivel spout and dual spray button control on metal extractable head  
 Mains pressure only  
 426mm overall height x 220mm reach



## CARE AND USE

### Tapware

All finishes are smooth, abrasion resistant, corrosion resistant, fade-proof and easy to clean. All finishes are super hard wearing surfaces that won't chip, peel or tarnish with normal use. All surfaces should be regularly wiped clean with non scouring, neutral wash solutions.

## LIMITED PRODUCT WARRANTIES

To be read in conjunction with and subject to all terms and conditions contained in the Waterware 'Producer Statement' available on-line (<http://www.waterware.co.nz/media-downloads>) From date of purchase, Waterware Services warrants products from the following categories to be free from manufacturing defect subject to exclusions (if applicable):

Category	Domestic Installations	Commercial Installations	Exclusions	Wels
Tapware   10 year conditional warranty	5 years parts and labour, 6-10 years parts only	1 year parts and labour	Handshowers and Hoses	6 Star 4.8L/min