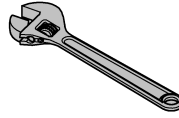
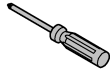
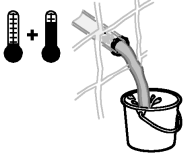


i

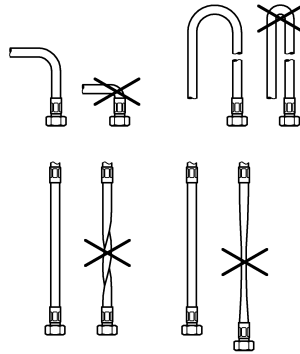
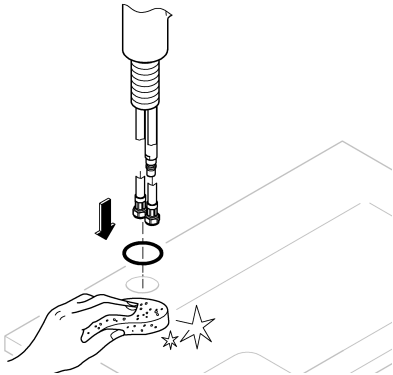


32mm

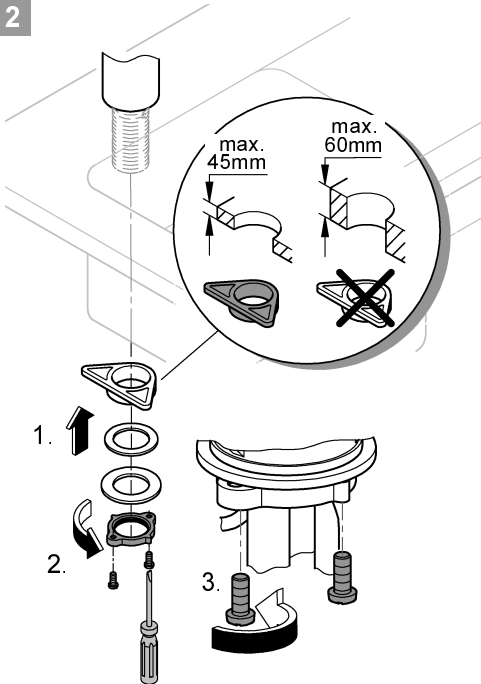
\*19 332



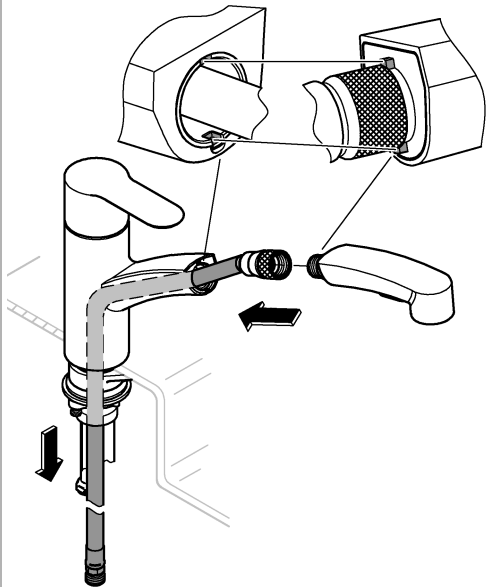
1



2

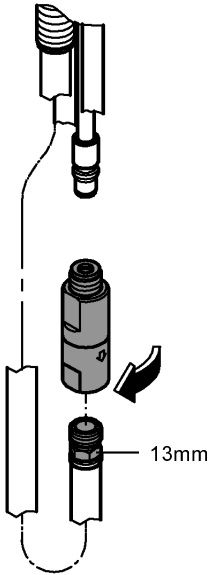


3

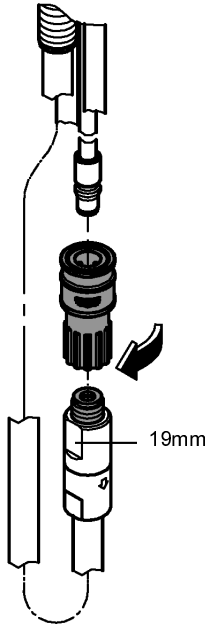




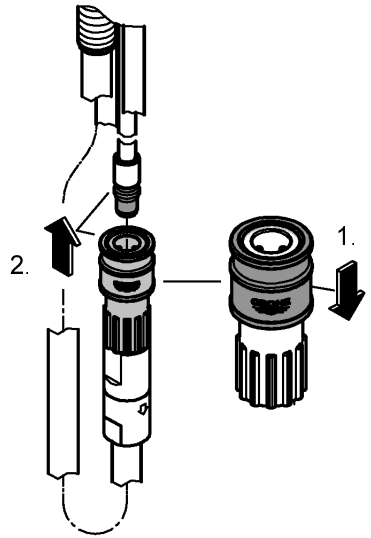
4



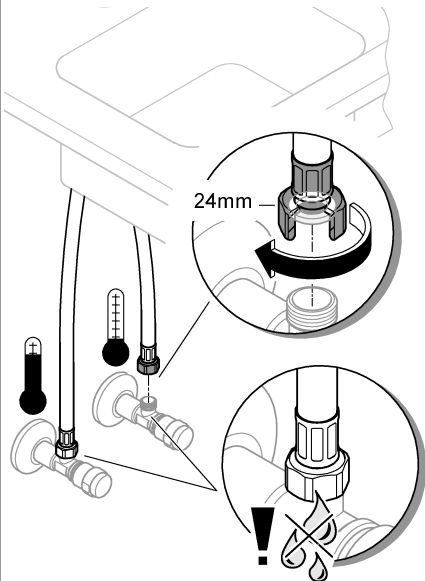
5



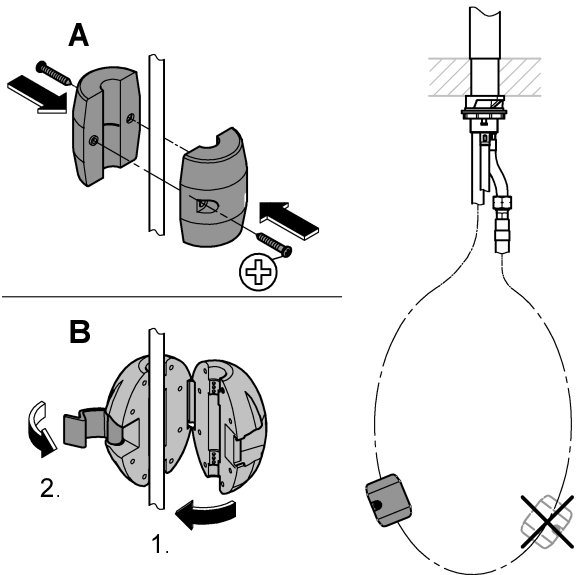
6

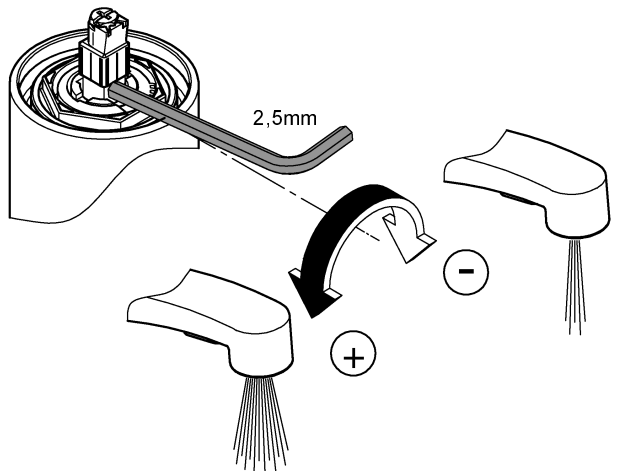
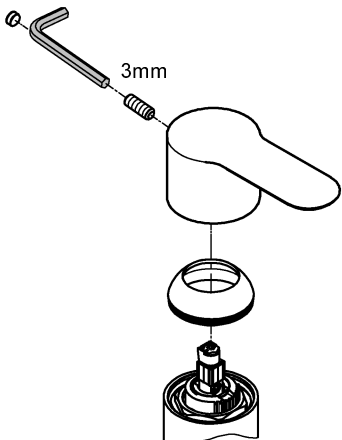
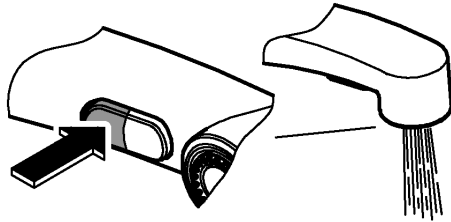
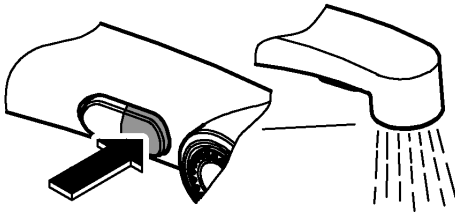


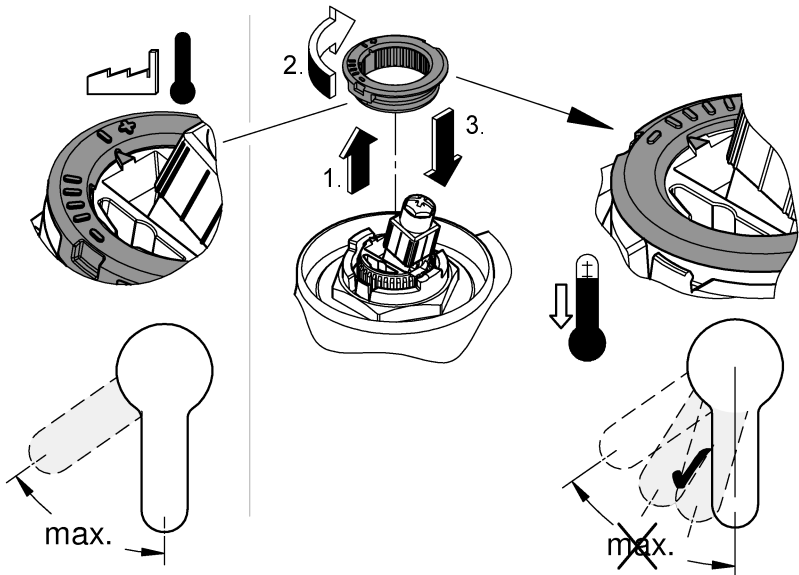
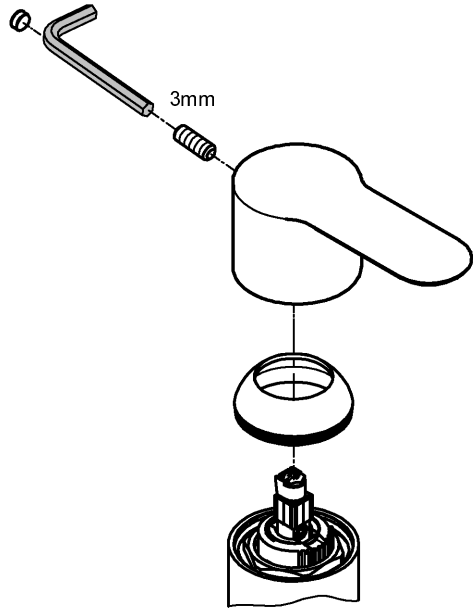
7

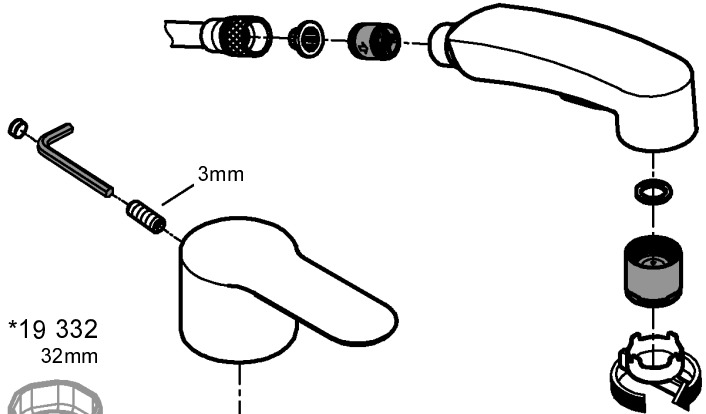
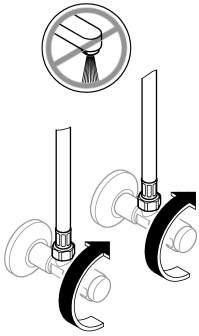
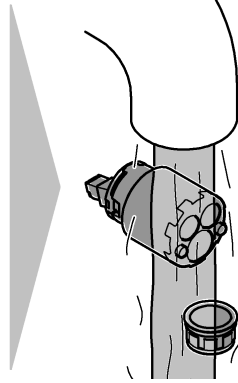


8









\*19 332  
32mm

