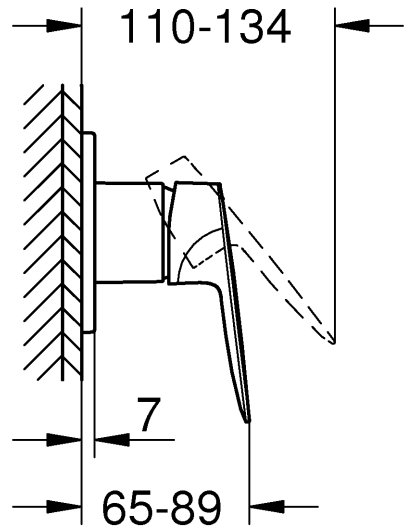
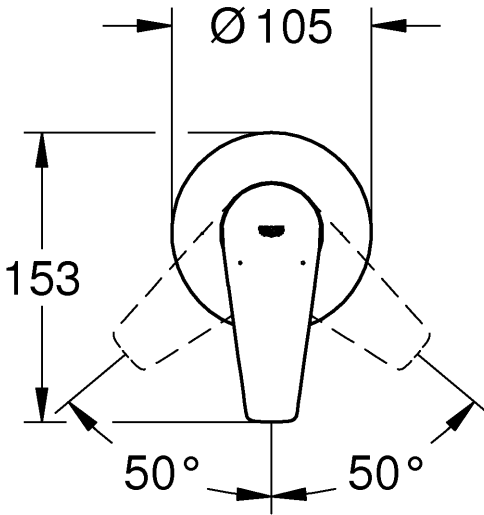
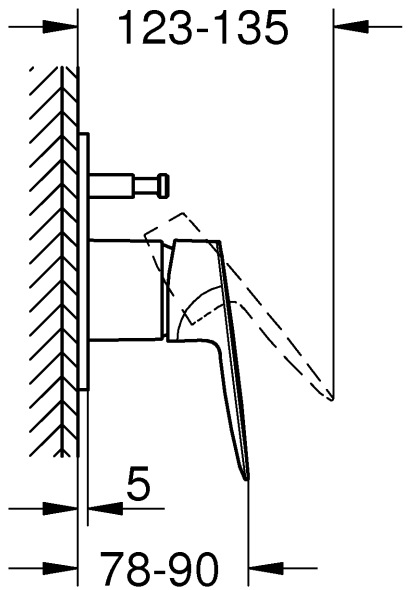
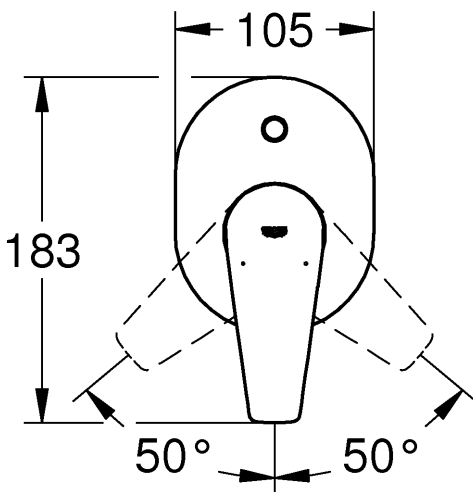
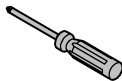
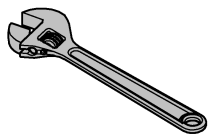


29 188

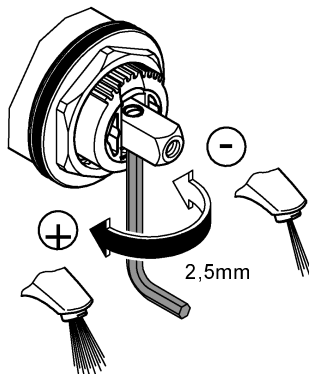
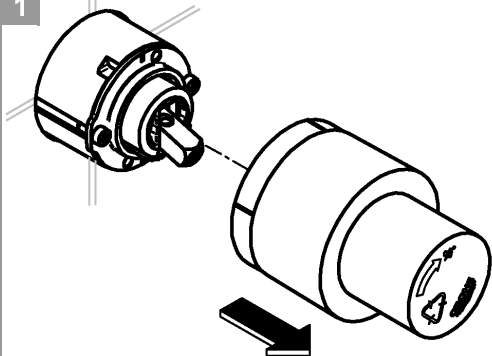


29 187

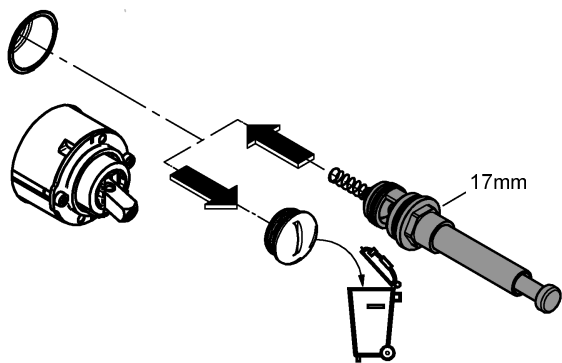




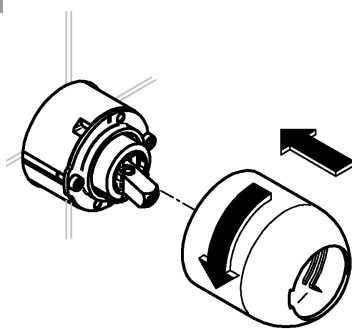
1



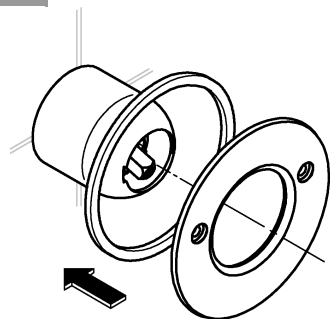
2



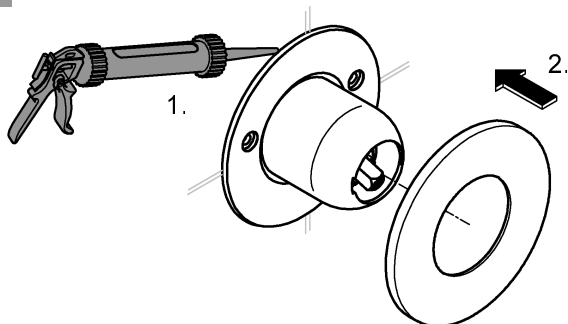
3



4a

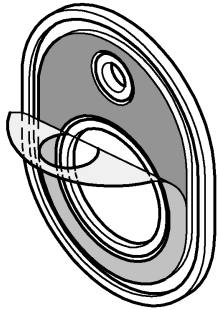


5a

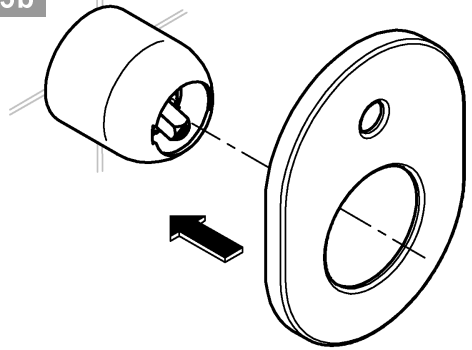




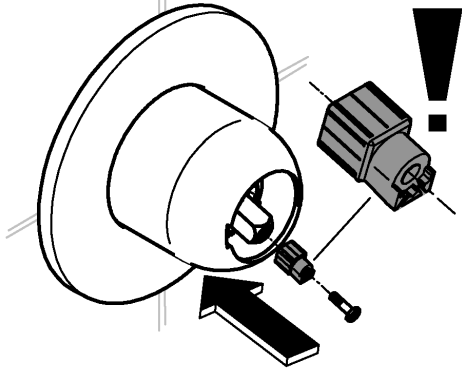
4b



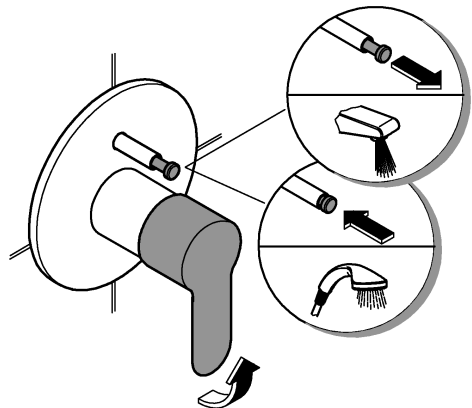
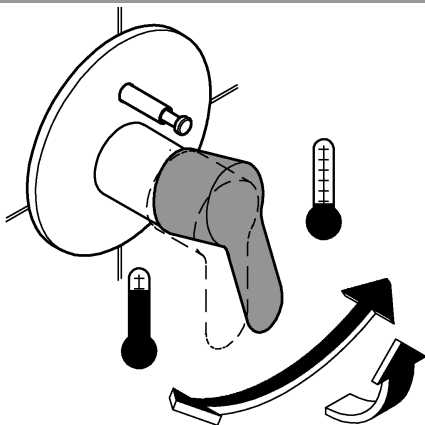
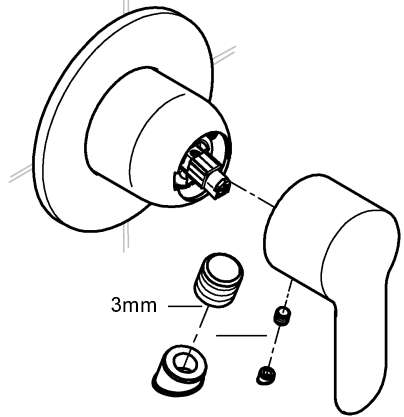
5b

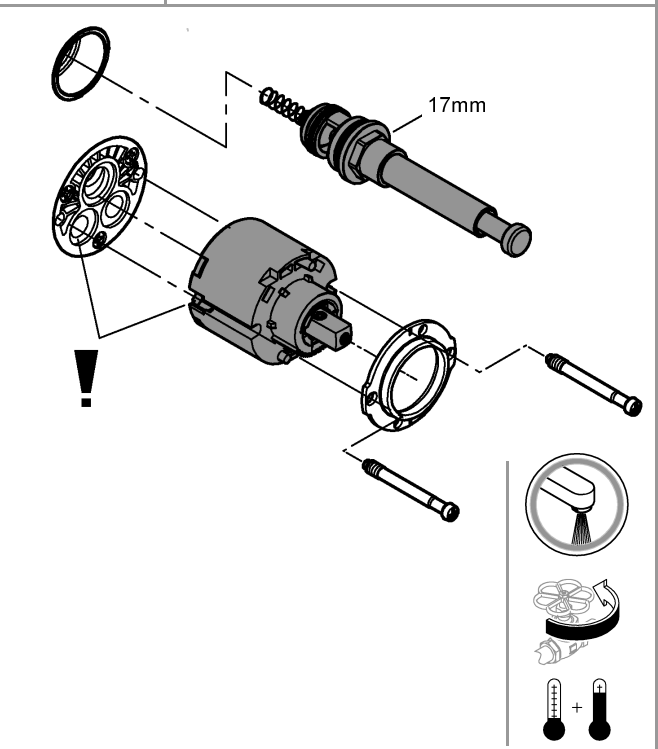
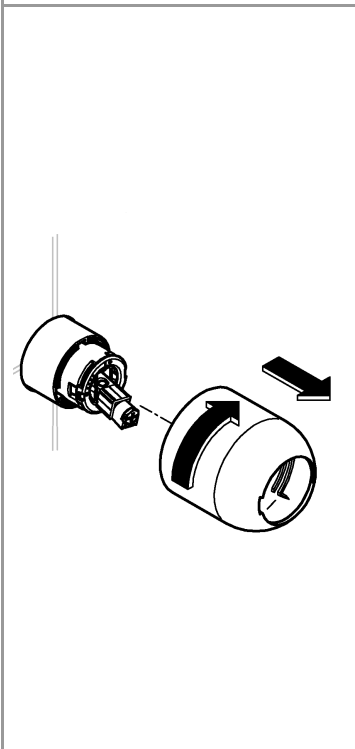
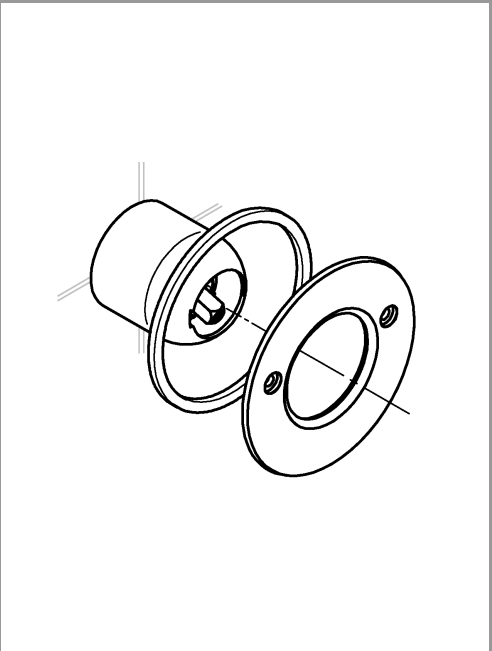
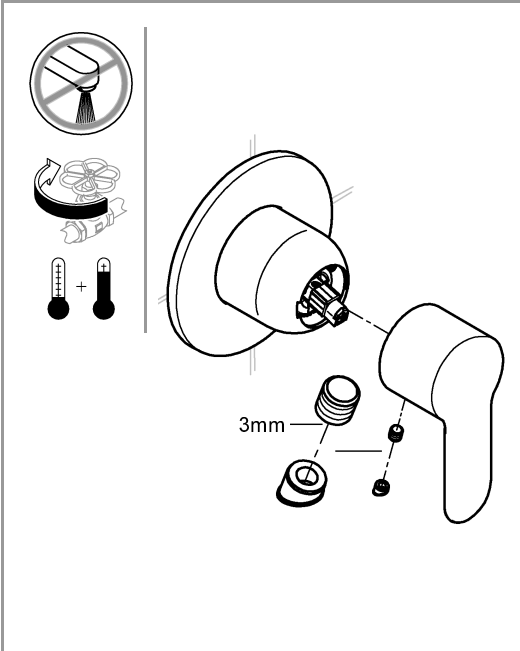


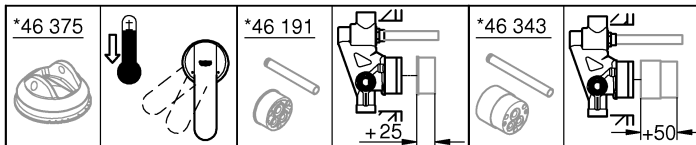
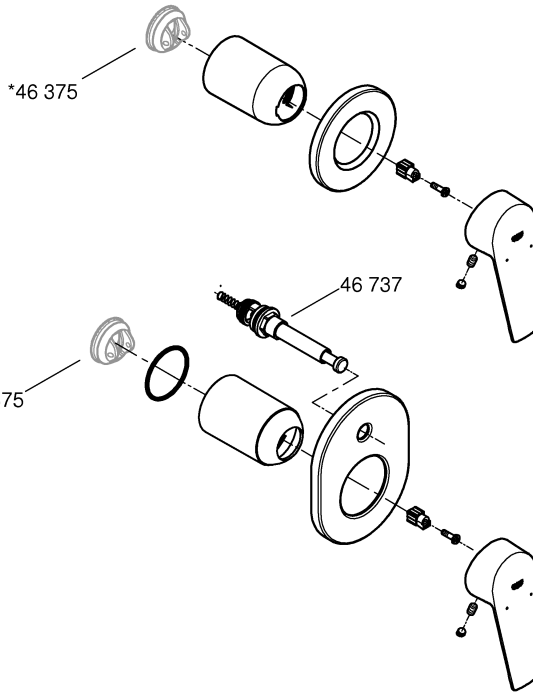
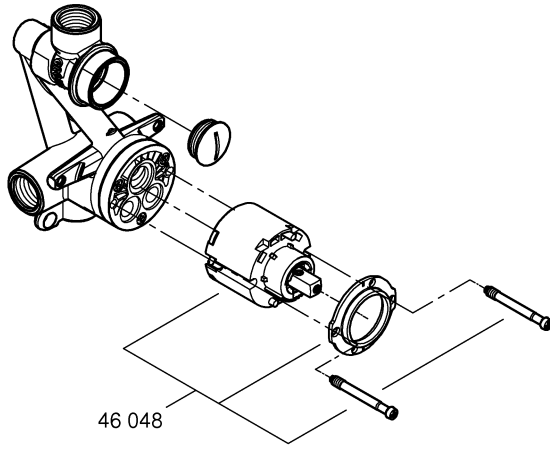
6



7







## Application

- 29 188: for shower
- 29 187: for bath

Can be used in conjunction with:

- Pressurised storage heaters
- Thermally controlled instantaneous heaters
- Hydraulically controlled instantaneous heaters

Operation with unpressurised storage heaters (open water heaters) is **not** possible.

## Specifications:

- Flow pressure min. 50 kPa - recommended 100 - 500 kPa
- Operating pressure max. 500 kPa
- Test pressure 1600 kPa

If static pressure is greater than 500 kPa, fit pressure reducer. Avoid major pressure differences between hot and cold water supply.

- Temperature  
Hot water inlet: (maximum) 70 °C  
Recommended: (energy saving) 60 °C
- Thermal disinfection possible
- An approved safety device is prescribed according to EN 1717 for combining with bath fillers and pop-up overflows



## Installation

**Flush piping system prior and after installation of fitting thoroughly (Consider EN 806)!**

This product must be installed in conformance with local codes e.g. AS/NZS 3500 series of standard!

**Installation**, see Fig. [1] - [7].

Refer to the dimensional drawings.

**Open cold and hot-water supply and check connections for watertightness!**



**Check fitting for correct operation.**



## Maintenance

Inspect and clean all parts, replace as necessary and grease with special grease.

**Shut off cold and hot water supply!**

**Replacing the cartridge.**

Assemble in reverse order.

**Observe the correct installation position!**

Make sure that the cartridge seals engage in the grooves on the housing. Screw in and tighten screwing.



**Replacement parts**

## Care

For directions on the care of this fitting, refer to the accompanying Care Instructions.

**(AUS)**

Reece Australia Pty Ltd  
118 Burwood Hwy  
Burwood VIC 3125

Tel.: +61 3 9274 0000

Email: [admin@reece.com.au](mailto:admin@reece.com.au)



**(NZ)**

Robertson  
25 Vestey Drive  
Mt Wellington, Auckland

Tel.: +64 9 5730490

Email: [sales@robertson.co.nz](mailto:sales@robertson.co.nz)