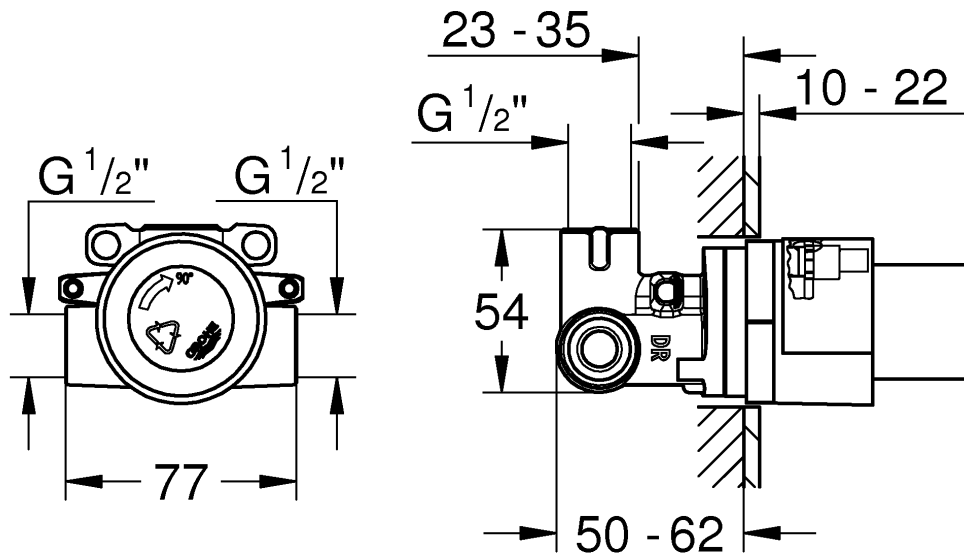
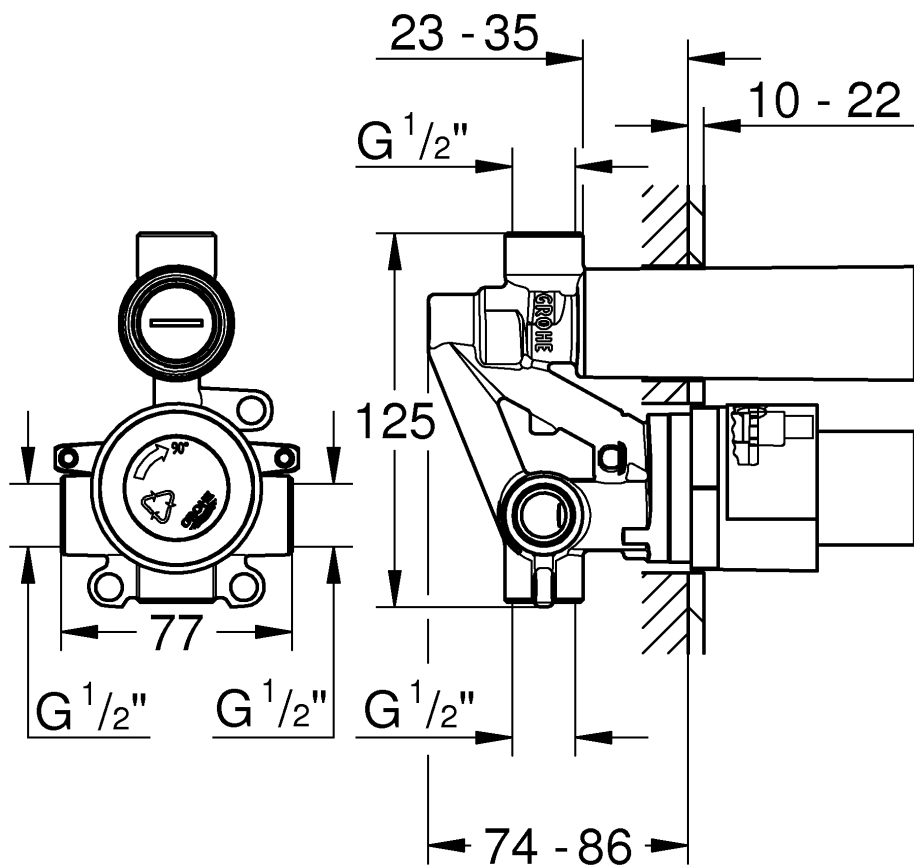
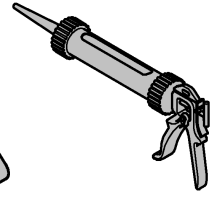
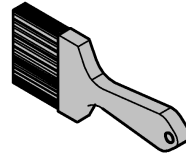
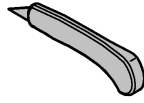
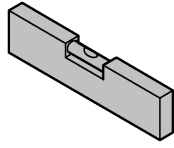
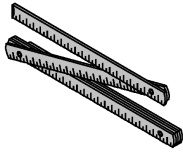


32 962

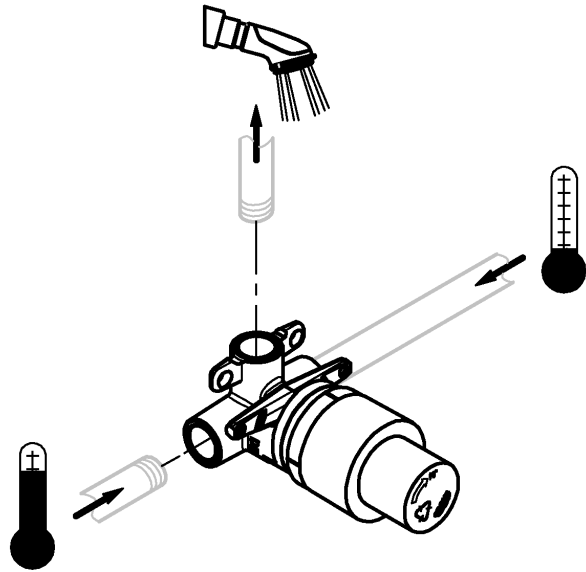


32 963

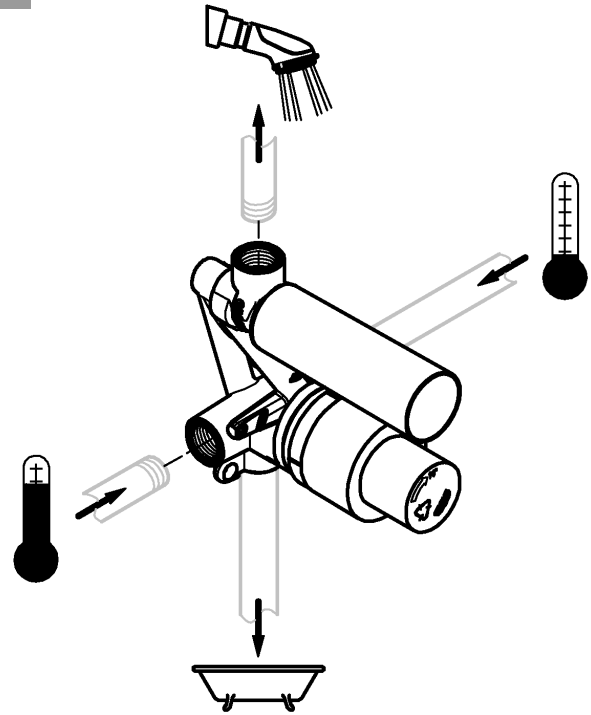




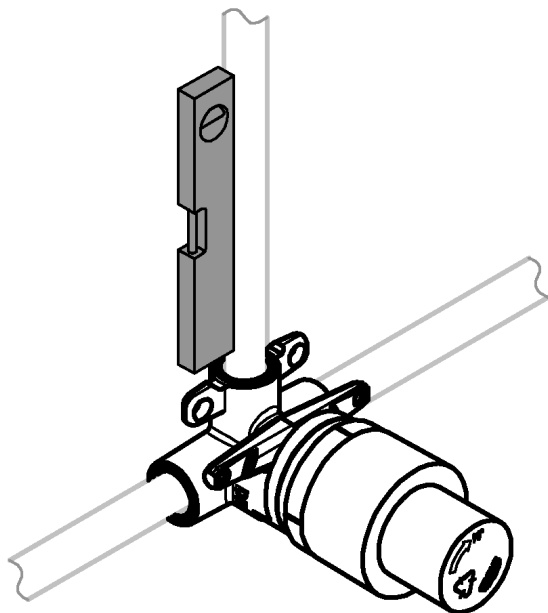
1a



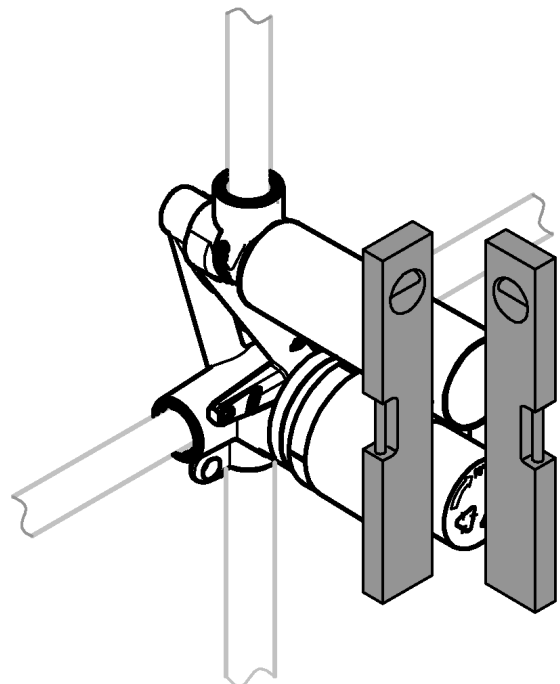
1b



2a

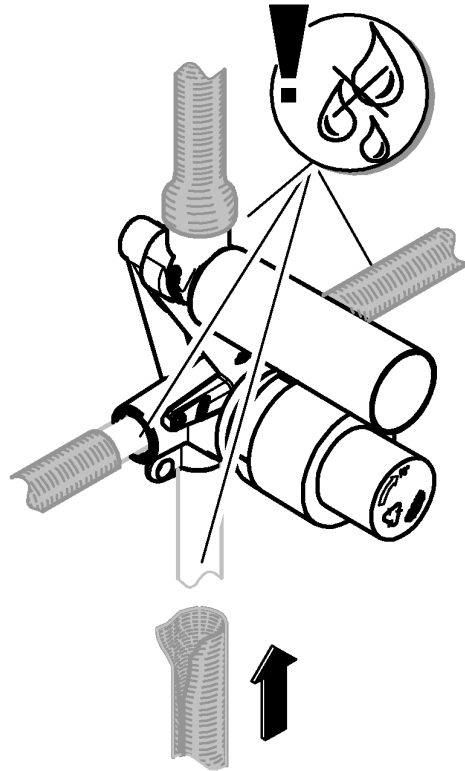


2b



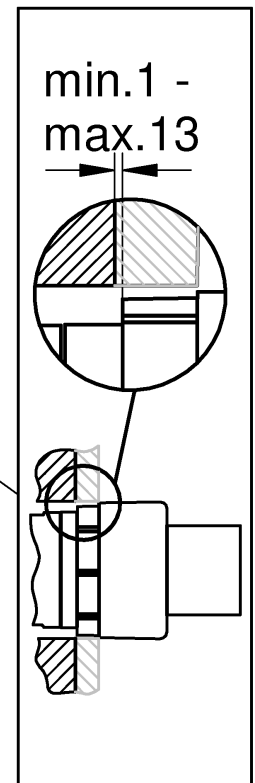
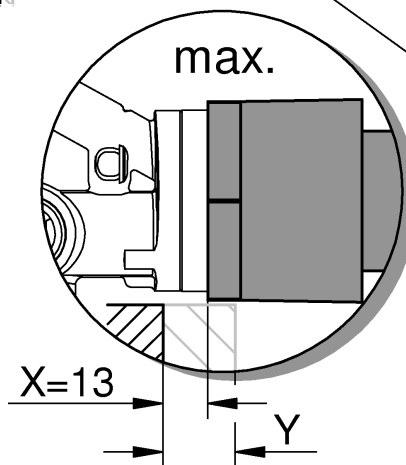
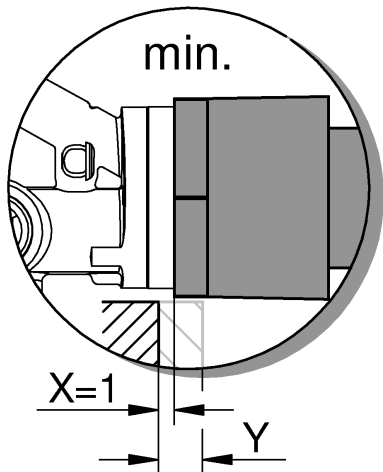
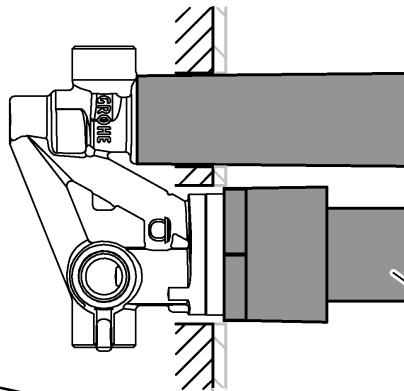


3



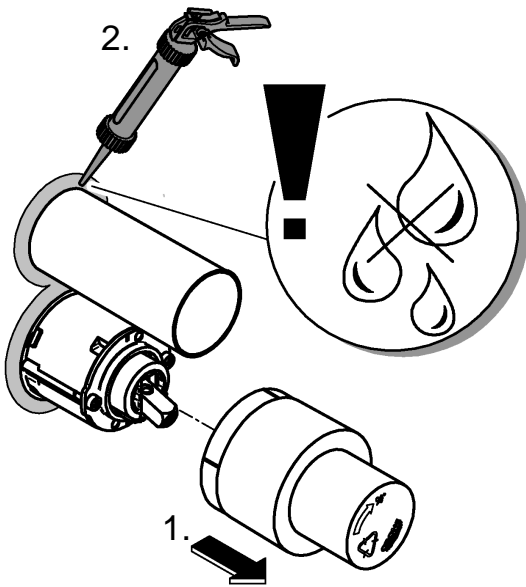
4

X	Y max. tile thickness
1	10
2	11
3	12
...	...
13	22

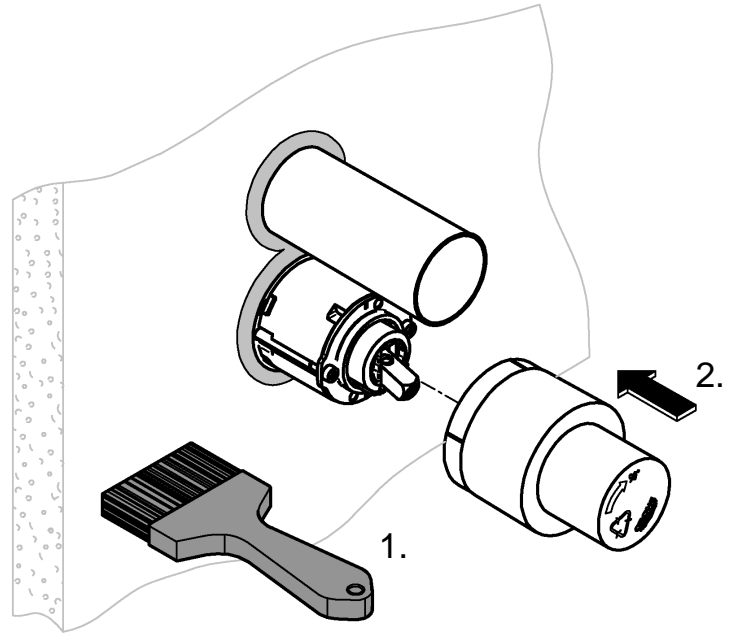




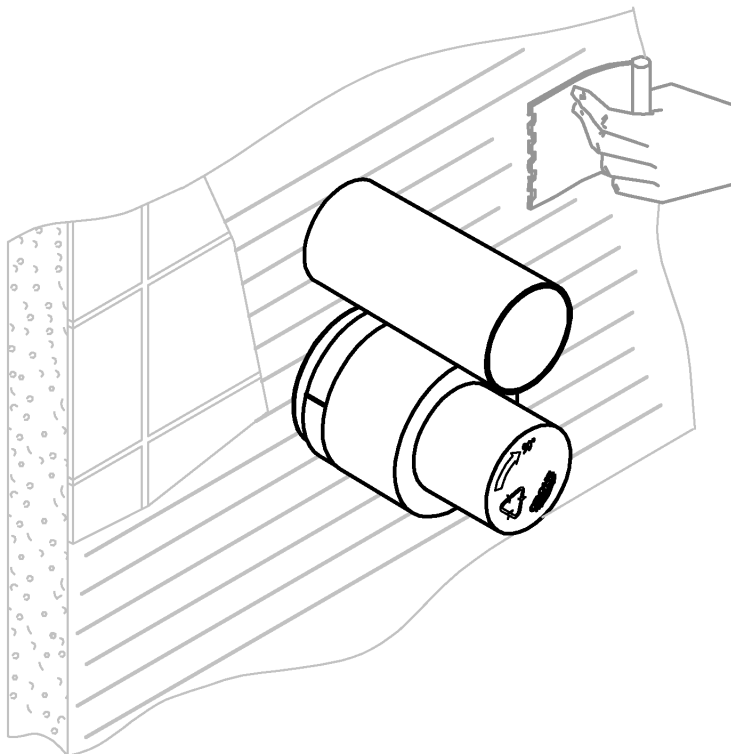
5



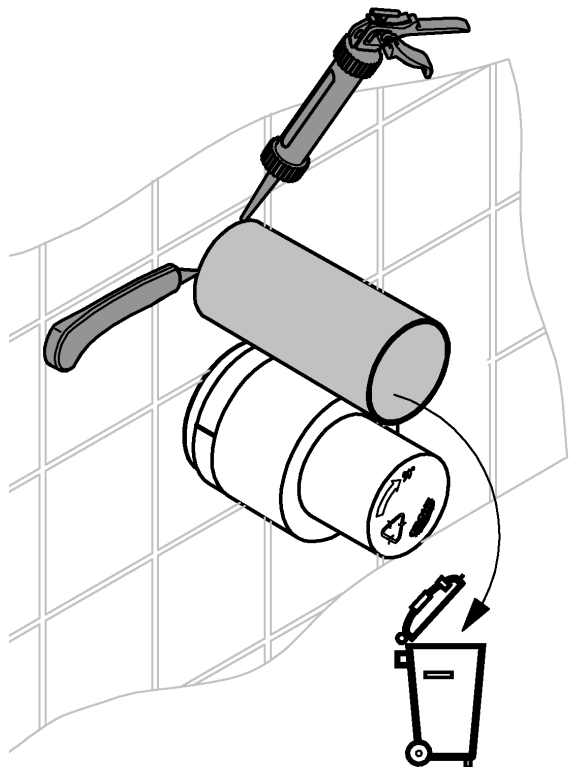
6

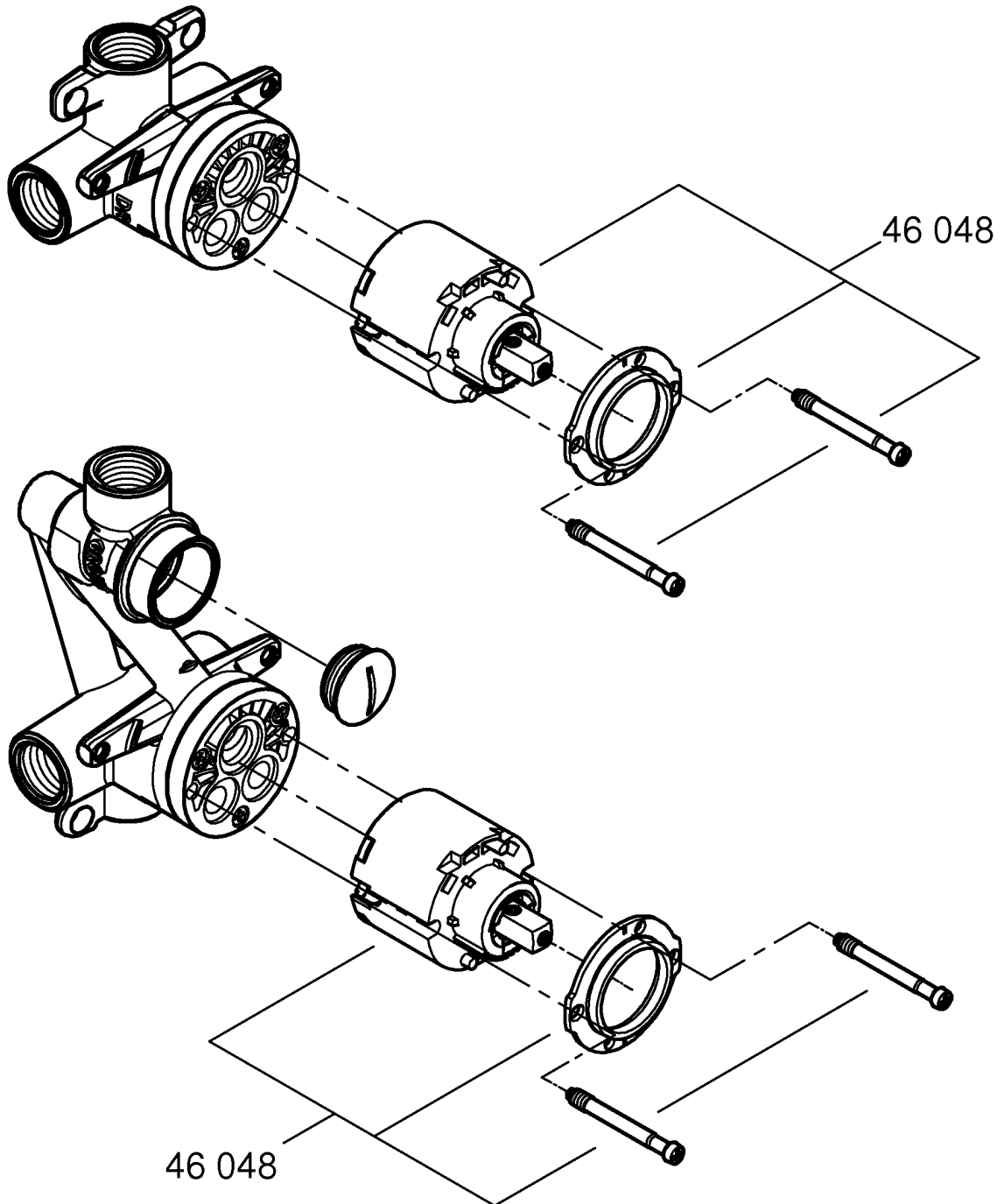


7



8





Installation Instructions

Flush piping system prior and after installation of fitting thoroughly!

This product must be installed in conformance with local codes e.g. AS/NZS 3500 series of standard!

Installation and connection, see Figs [1] to [6].

Refer to the dimensional drawings.

PLEASE NOTE:

For 32962 face of noggins need to be positioned a minimum of 50mm and a maximum of 62mm from where the unfinished wall surface will end up.

For 32963 face of noggins need to be positioned a minimum of 74mm and a maximum of 86mm from where the unfinished wall surface will end up.

Note:

When installing concealed mixer body, please note it must be mounted onto timber or solid walls using appropriate reinforcement to ensure sufficient strength.

Open cold and hot water supply and check connections for leakage!

Specifications

- Flow pressure min. 50 kPa - recommended 100 - 500 kPa
- Operating pressure max. 1000 kPa
- Test pressure 1600 kPa

If static pressure is greater than 500 kPa, fit pressure reducer. Avoid major pressure differences between hot and cold water supply.

- Flow rate at 300 kPa flow pressure approx. 27 L/min

• Temperature

Hot water inlet: (maximum) 70 °C

Recommended: (energy saving) 60 °C

Thermal disinfection possible

Water connection cold - right hot - left

Important note:

Never install shut-off valves in the outlet pipe (mixed water) downstream of any built-in mixer.

AUS

Reece Australia Pty Ltd
118 Burwood Hwy
Burwood VIC 3125

Tel.: +61 3 9274 0000
Email: admin@reece.com.au



NZ

Robertson
25 Vestey Drive
Mt Wellington, Auckland

Tel.: +64 9 5730490
Email: sales@robertson.co.nz