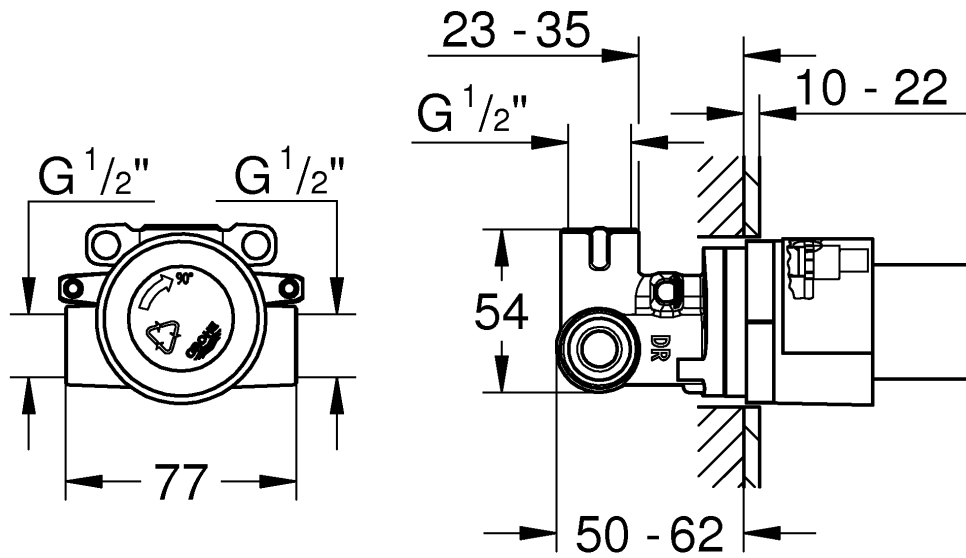
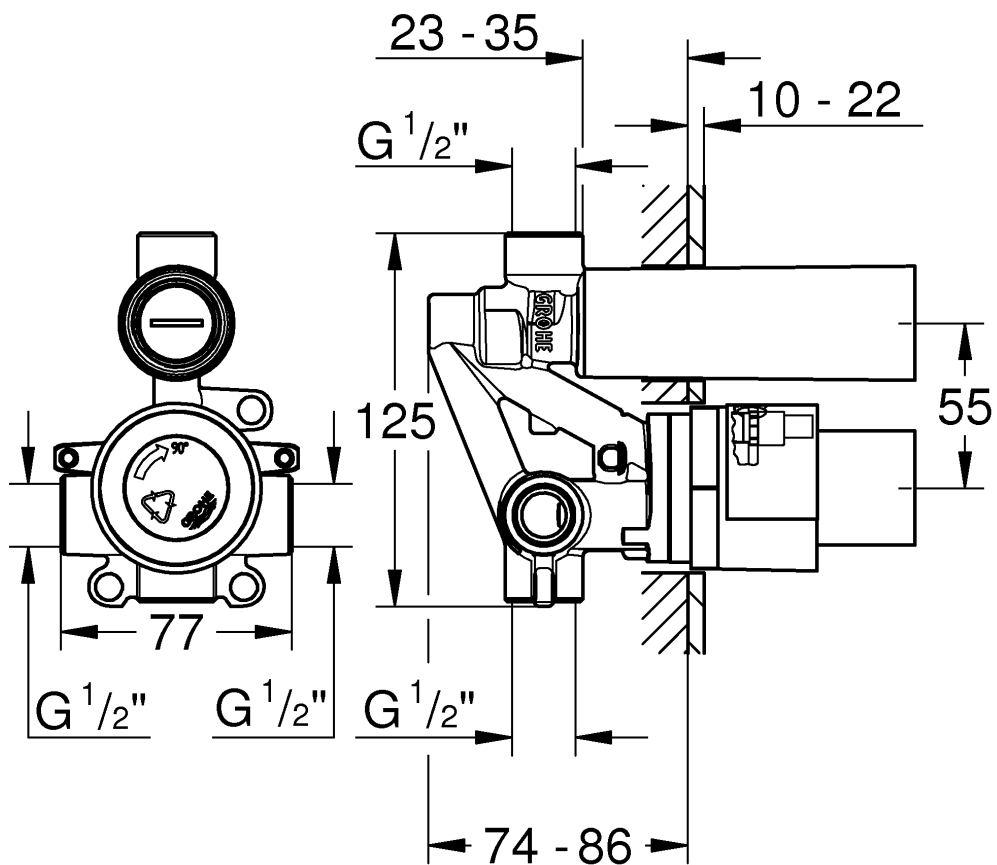
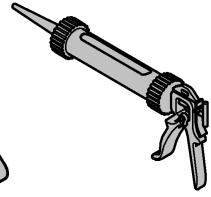
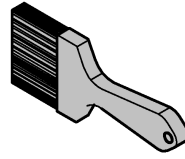
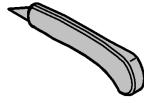
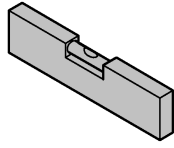
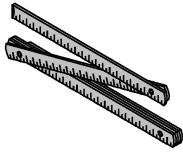


32 962

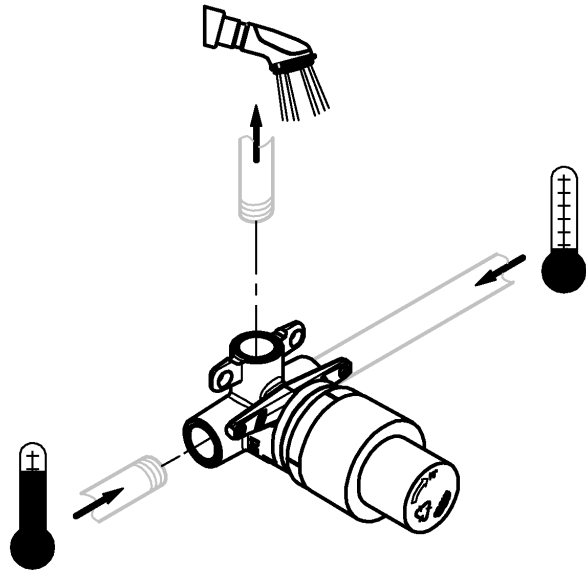


32 963

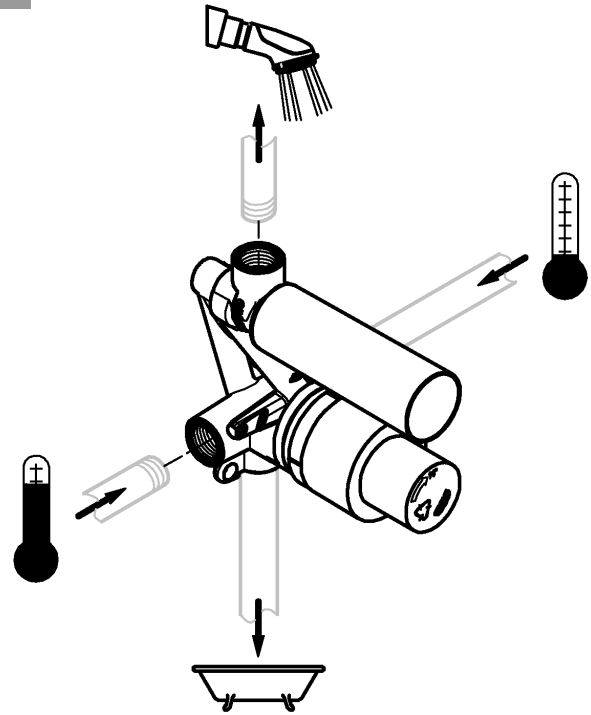




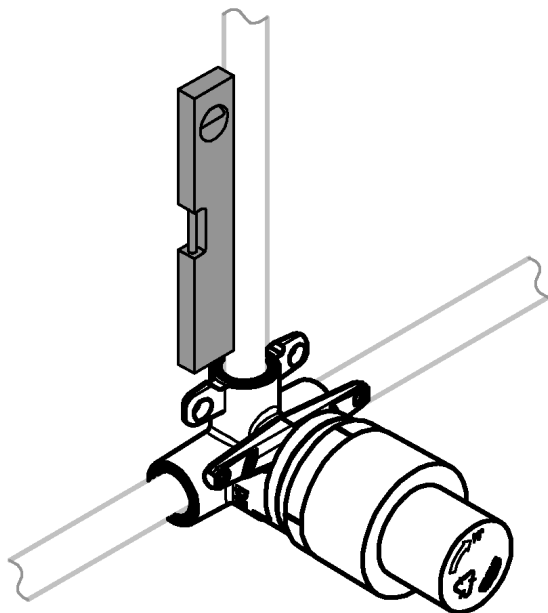
1a



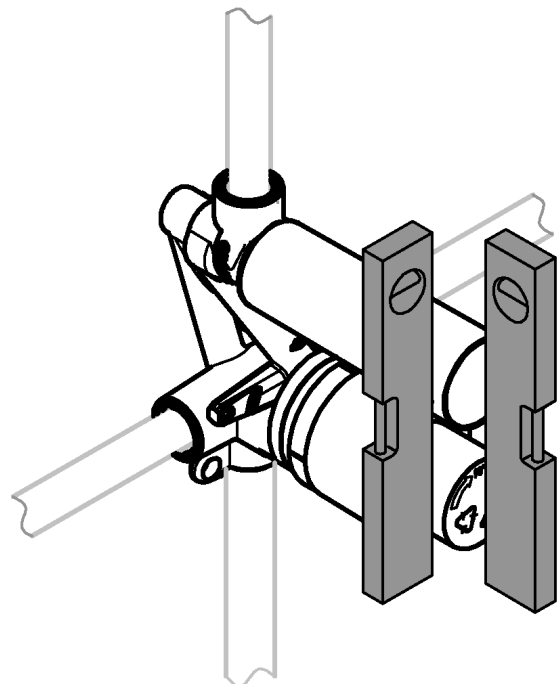
1b



2a

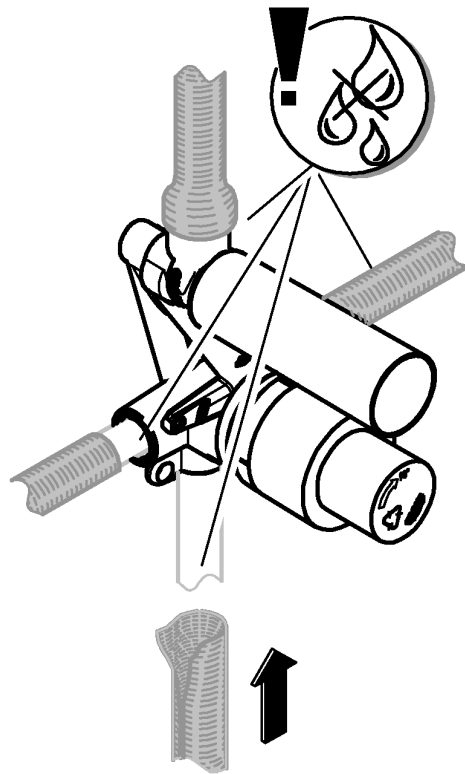


2b



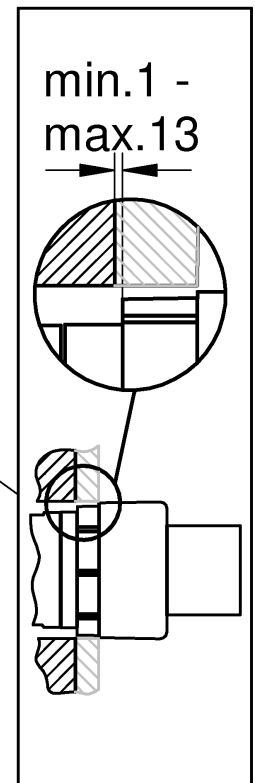
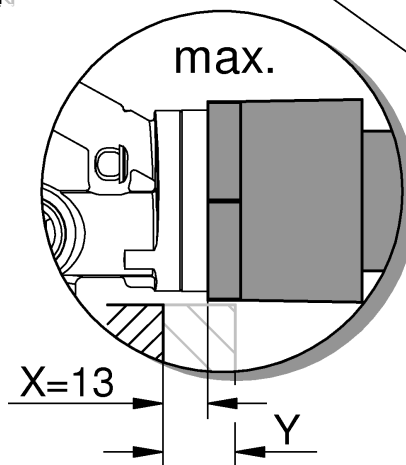
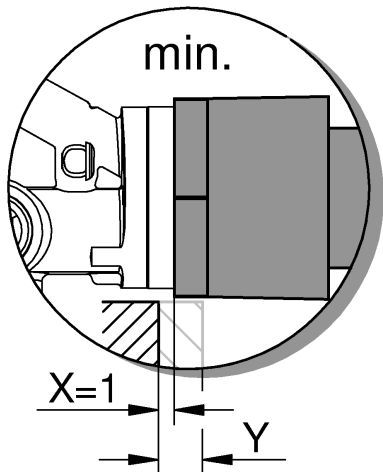
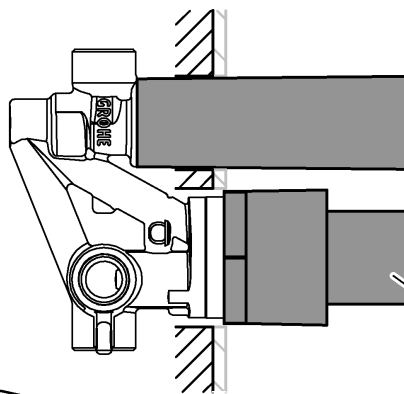


3



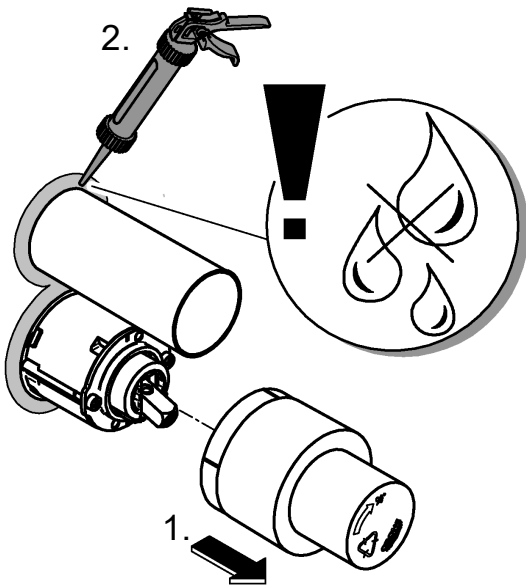
4

X	Y max. tile thickness
1	10
2	11
3	12
...	...
13	22

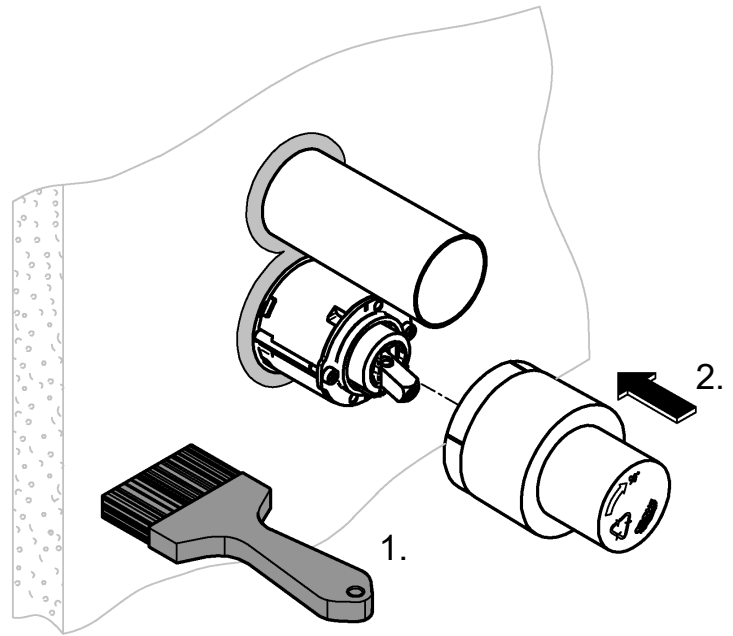




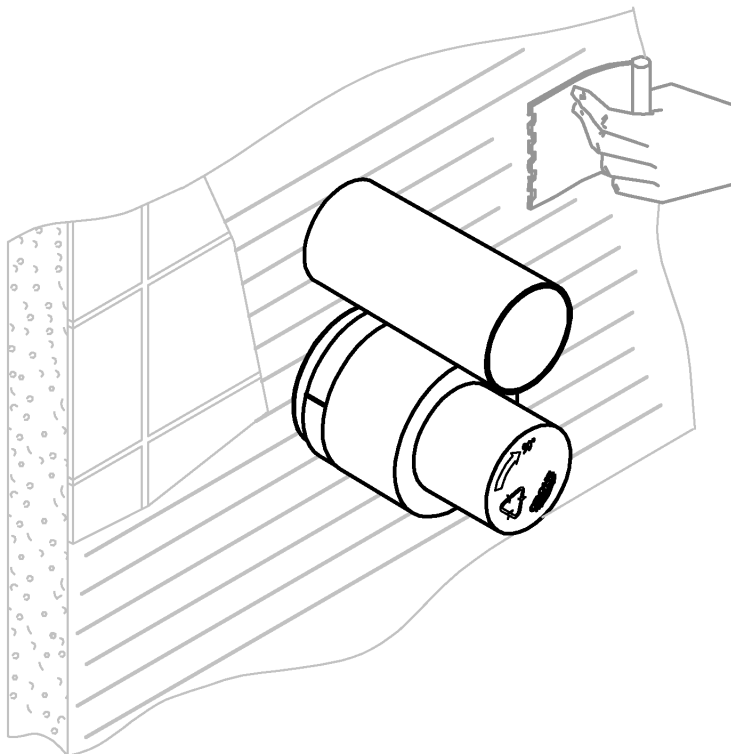
5



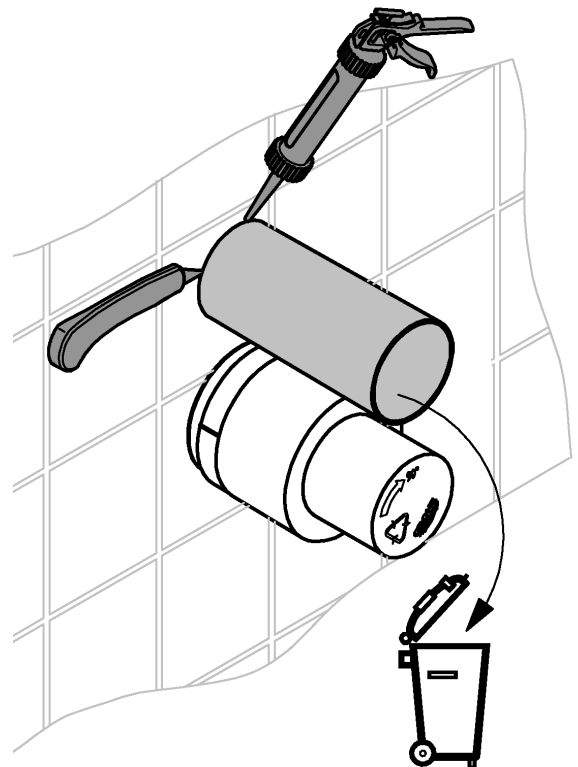
6

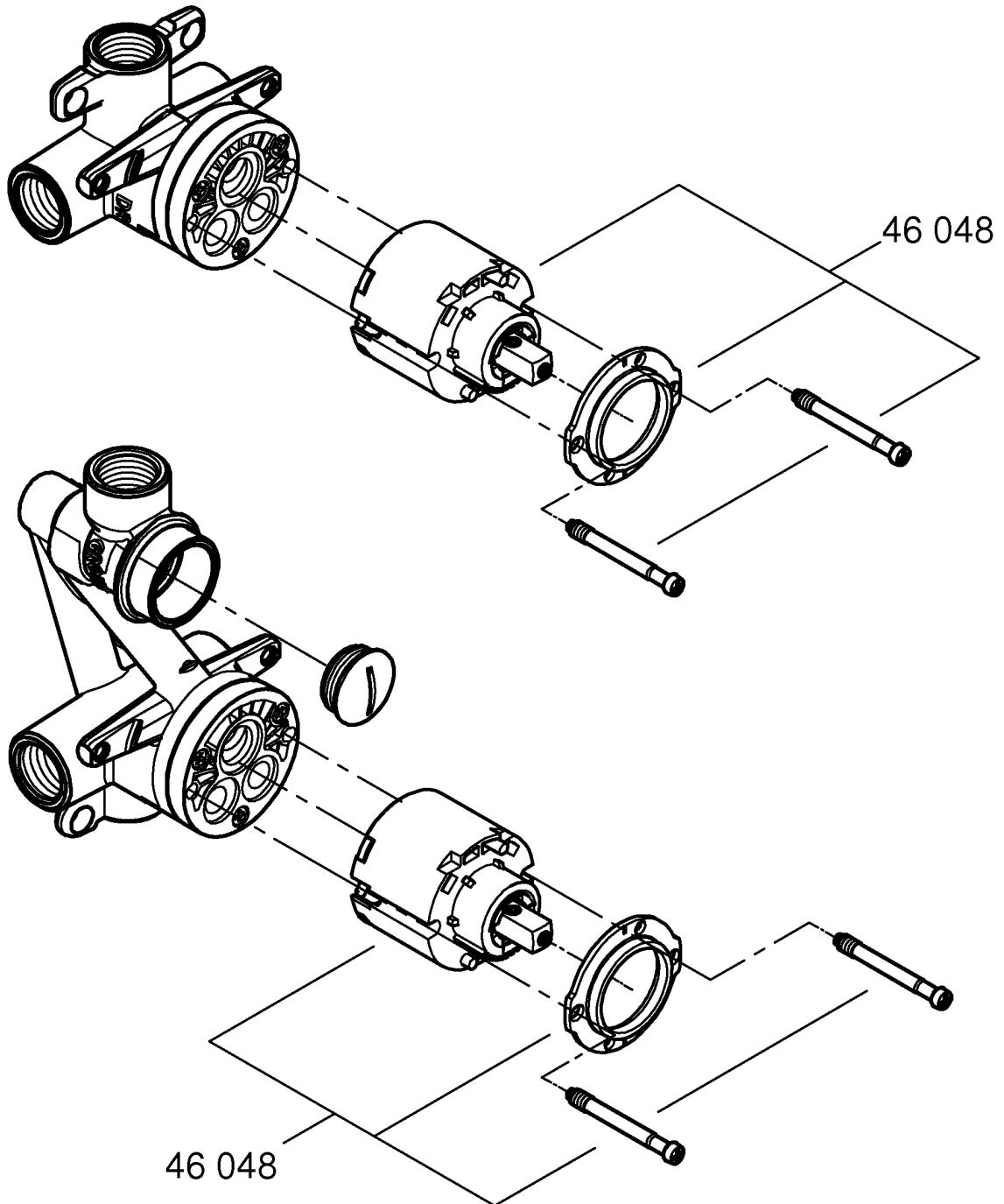


7



8





## Installation Instructions

### Flush piping system prior and after installation of fitting thoroughly!

This product must be installed in conformance with local codes e.g. AS/NZS 3500 series of standard!

The hot water temperature must be controlled by a Watermark certified tempering valve, or other suitable certified thermostatic mixing valve.

**Installation and connection**, see Figs [1] to [6].

Refer to the dimensional drawings.

### PLEASE NOTE:

For 32962 face of noggins need to be positioned a minimum of 50mm and a maximum of 62mm from where the unfinished wall surface will end up.

For 32963 face of noggins need to be positioned a minimum of 74mm and a maximum of 86mm from where the unfinished wall surface will end up.

Ensure that the cartridge and cream coloured cartridge disc are installed to the front of plaster and/or acrylic liner to prevent leaks running back into wall!

### Note:

When installing concealed mixer body, please note it must be mounted onto timber or solid walls using appropriate reinforcement to ensure sufficient strength.

**Open cold and hot water supply and check connections for leakage!**

## Specifications

- Flow pressure min. 50 kPa - recommended 100 - 500 kPa
- Operating pressure max. 500 kPa
- Test pressure 1600 kPa

If static pressure is greater than 500 kPa, fit pressure reducer. Avoid major pressure differences between hot and cold water supply.

- Flow rate at 300 kPa flow pressure approx. 27 L/min

### • Temperature

Hot water inlet: (maximum) 70 °C

Recommended: (energy saving) 60 °C

Thermal disinfection possible

Water connection cold - right hot - left

### Static pressure testing instruction

In closed position, increase water pressure to 1600 kPa.

Test for a minimum of 30 minutes and a maximum of 60 minutes.

Inspect product for any leaks or deformations.

### If cartridge leaks, replace full cartridge immediately and re-test for leaks!

Reduce pressure down to 500 kPa.

### Important notes:

- If static pressure testing the outlet pipe to the shower head is required, mixer must be isolated (in closed position) and bypassed for the duration of the test.
- Never install shut-off valves in the outlet pipe (mixed water) downstream of any built-in mixer.

**AUS**

Reece Australia Pty Ltd  
118 Burwood Hwy  
Burwood VIC 3125

Tel.: +61 3 9274 0000  
Email: [admin@reece.com.au](mailto:admin@reece.com.au)



**NZ**

Robertson  
25 Vestey Drive  
Mt Wellington, Auckland

Tel.: +64 9 5730490  
Email: [sales@robertson.co.nz](mailto:sales@robertson.co.nz)