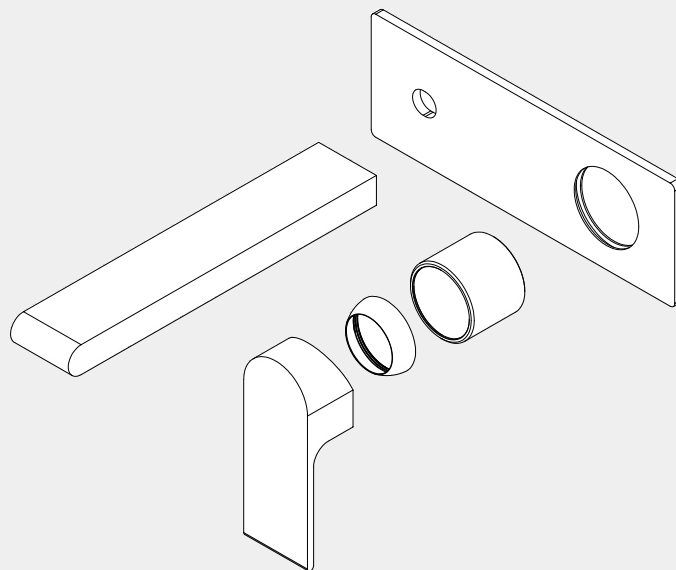


# Bianca

## Wall Basin/Bath Mixer

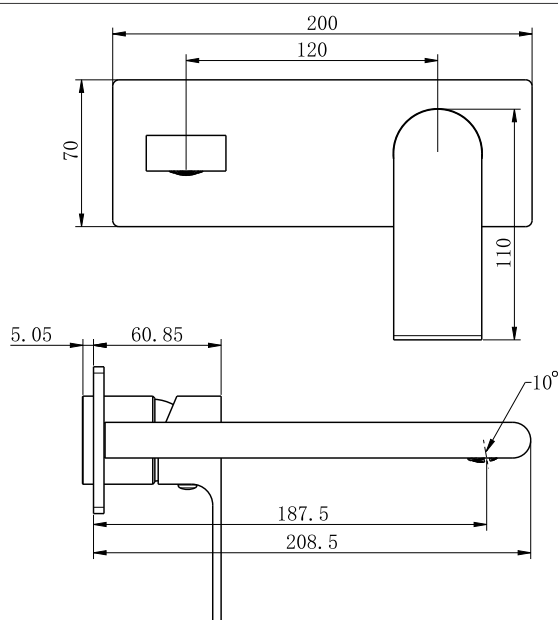
### 187mm Trim Kits Only

# Nero



Versions:202401

#### Drawing



#### Specifications

**Watermark License**  
WM-060073






**Temperature Rating**  
Min 1°C - Max 75°C

**Pressure Rating**  
Min 150kpa - Max 500kpa

#### Packaging Includes

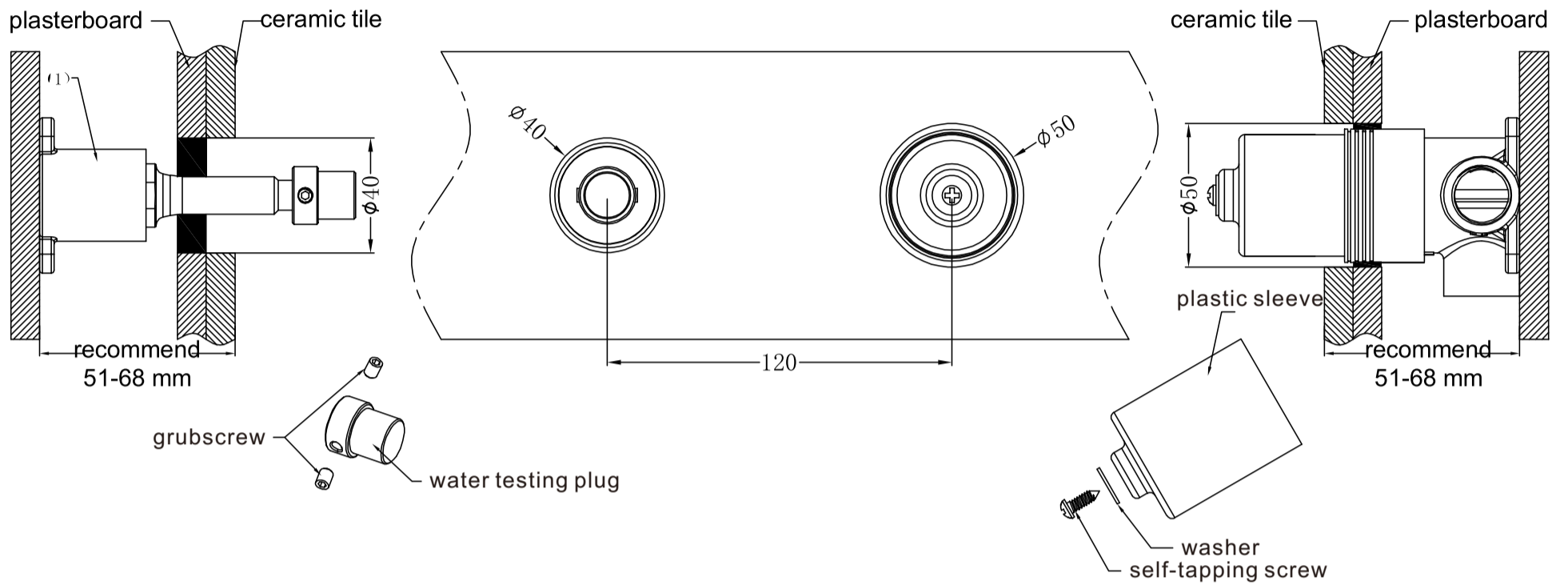
1x Plate  
1x Handle  
1x Spout  
1x Cartridge Bell  
1x Dressing Ring

#### Finish & SKU

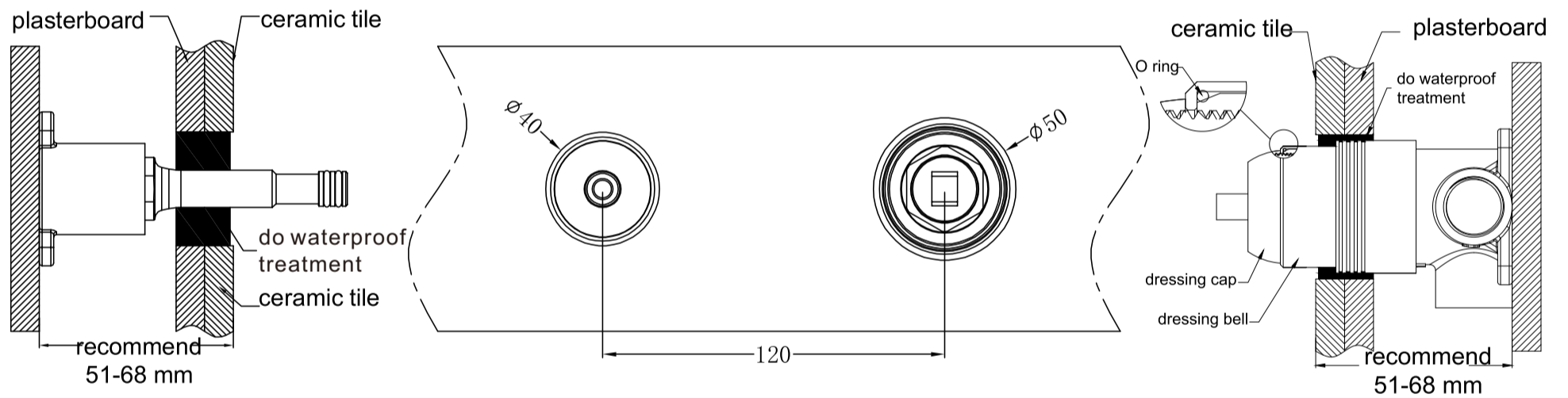
 <b>Chrome</b> NR321510atCH	 <b>Gun Metal</b> NR321510atGM	 <b>Brushed Nickel</b> NR321510atBN
 <b>Matte Black</b> NR321510atMB	 <b>Brushed Gold</b> NR321510atBG	

\*Dimensions are nominal measurements only.

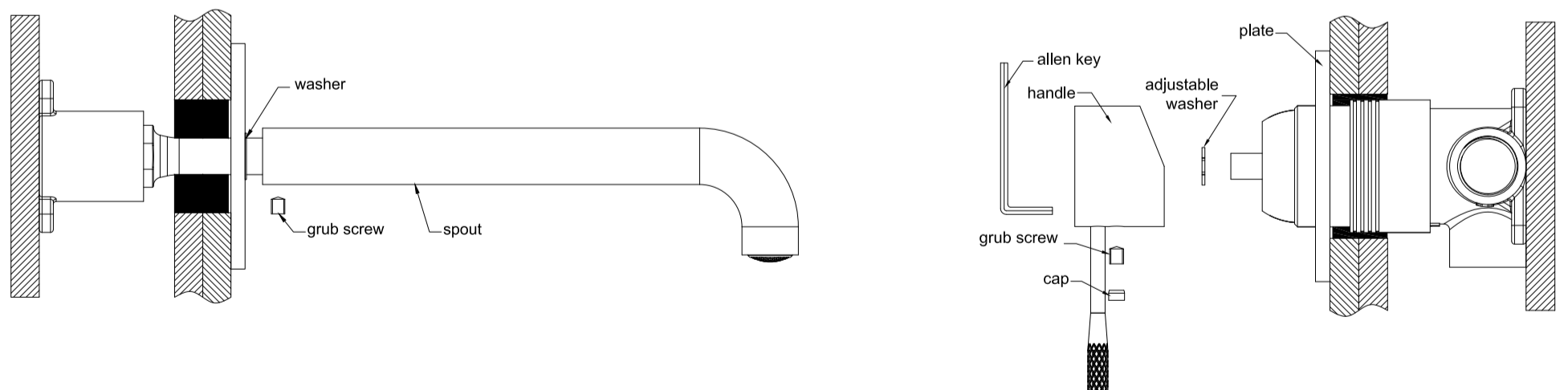
# Installation Instruction For Trim Kits Only



1. Drill a  $\phi 50\text{mm}$  and a  $\phi 40\text{mm}$  hole in the ceramic tile, then position it as shown in the above diagram.
2. Undo the self-taping screw to remove the plastic sleeve, and release the grub screws to remove the water testing plug.



3. Insert the O ring to the dressing bell groove, and slide the dressing bell onto cartridge.
4. Apply waterproof treatment to the area indicated in the diagram above.
5. Tighten up the dressing ring on the cartridge bell.



6. Slide the backplate and washer onto the wall, set the spout in place, and secure it tightly using the grub screw.
7. Attach the washer to the cartridge rod, position the handle, tighten it with a grub screw using an Allen key, and cap the grub screw hole.

Please note: there is a washer between backplate and the spout.

# Nero

info@nerotapware.com.au  
nerotapware.com.au

11-13 Buontempo Road  
Carrum Downs Vic 3201

