

Product

- Aleo Pull-Out Kitchen Mixer

Kohler Code

99175T-4E-**

**Features**

- Single function pull out spray head
- 360° swivel gooseneck spout
- Easy clean nozzle
- Ceramic disc valve
- Dual check valve configuration compliant to AS/NZS3500.1 for back flow prevention
- Suitable for mains pressure
- KOHLER finishes resist tarnishing and corrosion
- Available in four colour finishes
- WELS 5 star @ 6 Litre/m

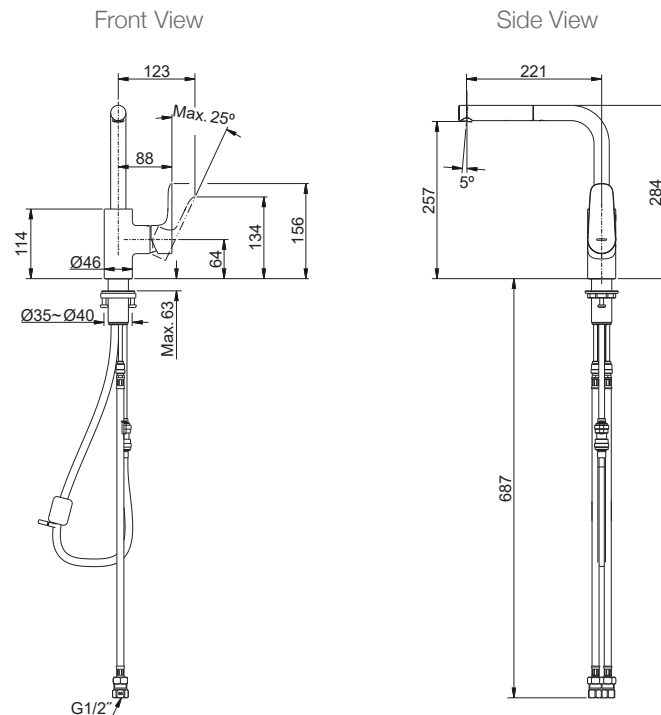
Colour Code - **

CP - Polished Chrome

VS - Vibrant Stainless

2MB - Brushed Brass

BL - Matte Black

Technical Details**Installation Notes:**

- The mixer contains two sets of check valves for backflow prevention. Do not remove them.
- Maximum working pressure 500kPa. If it exceeds 500kPa, a pressure limiting valve must be fitted.
- Maximum working temperature 60°C.
- Maximum bench thickness is 63mm.
- Inline filters should be used to protect tapware from debris that may be present within the plumbing.
- All installations must comply with local plumbing codes and requirements of AS/NZS 3500 and AS/NZS 6400.